

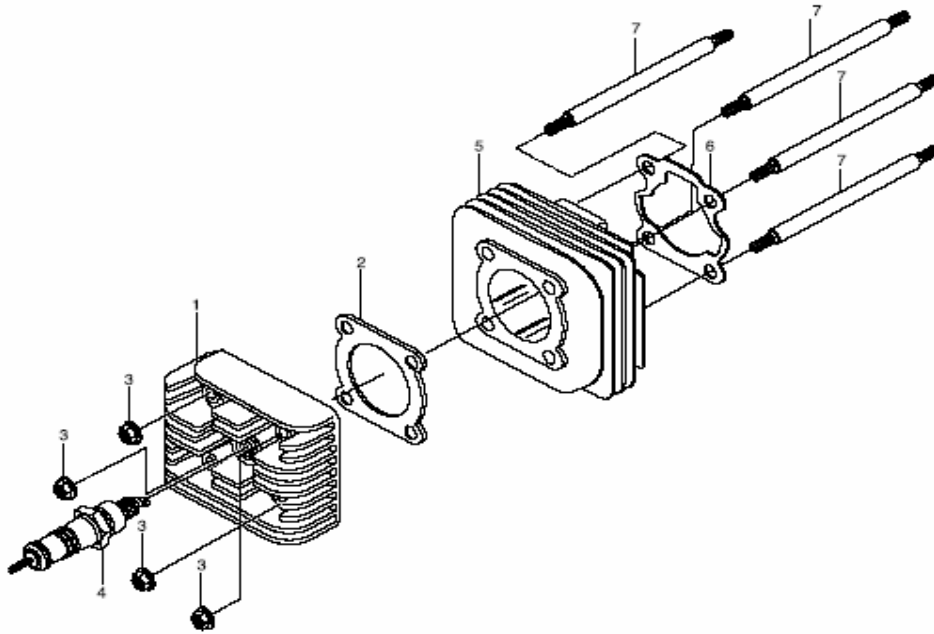
# PARTS CATALOG



**2006 X-PEED 50R**

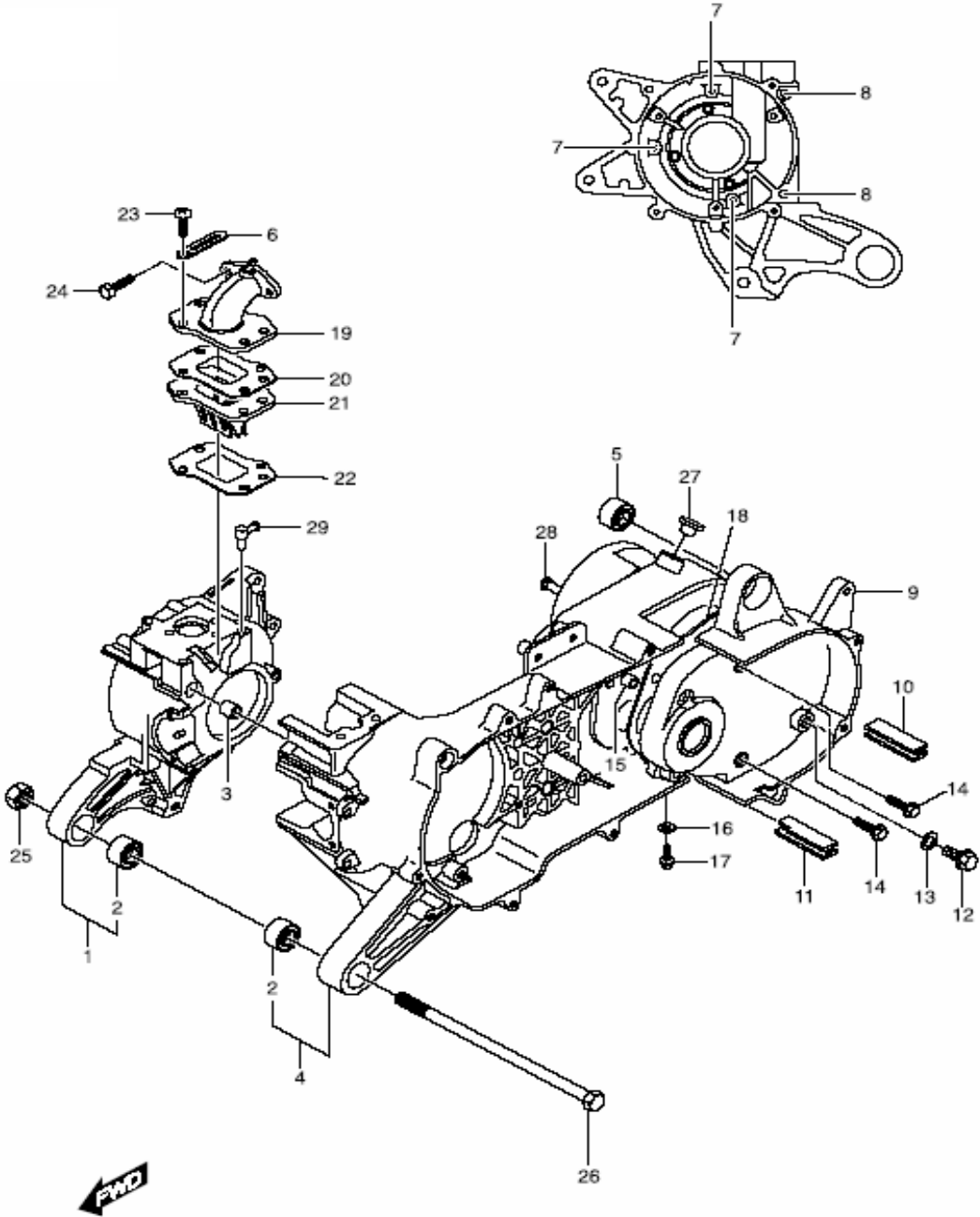


# E01-CYLINDER



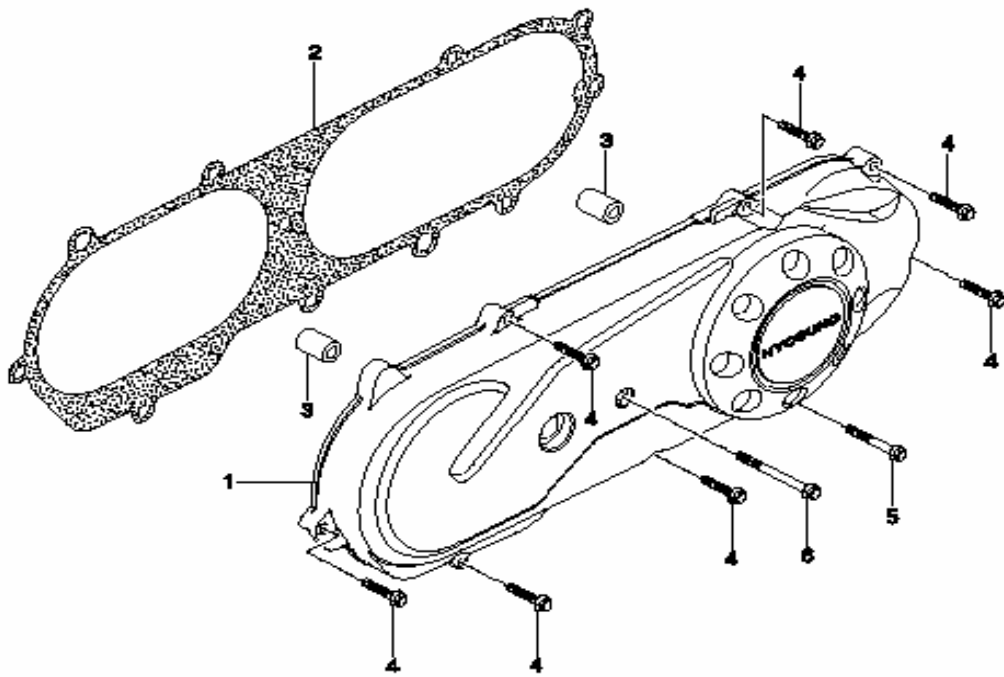
<b>E01</b>	<b>CYLINDER</b>		
<b>REF</b>	<b>PART NUMBER</b>	<b>DESCRIPTION</b>	<b>2006</b>
<b>E1-1</b>	11111HF1651	CYLINDER HEAD	1
<b>E1-2</b>	11141-02110	CYLINDER HEAD GASKET	1
<b>E1-3</b>	08316-16068	NUT, CYLINDER HEAD (M6)	5
<b>E1-4</b>	09482-01060	SPARK PLUG (B8HS)	1
<b>E1-5</b>	11211HG2602PCY	CYLINDER	1
<b>E1-6</b>	11241HF1602	CYLINDER GASKET	1
<b>E1-7</b>	01421-06858	STUD BOLT, CYLINDER	4

# E02-CRANCKASE



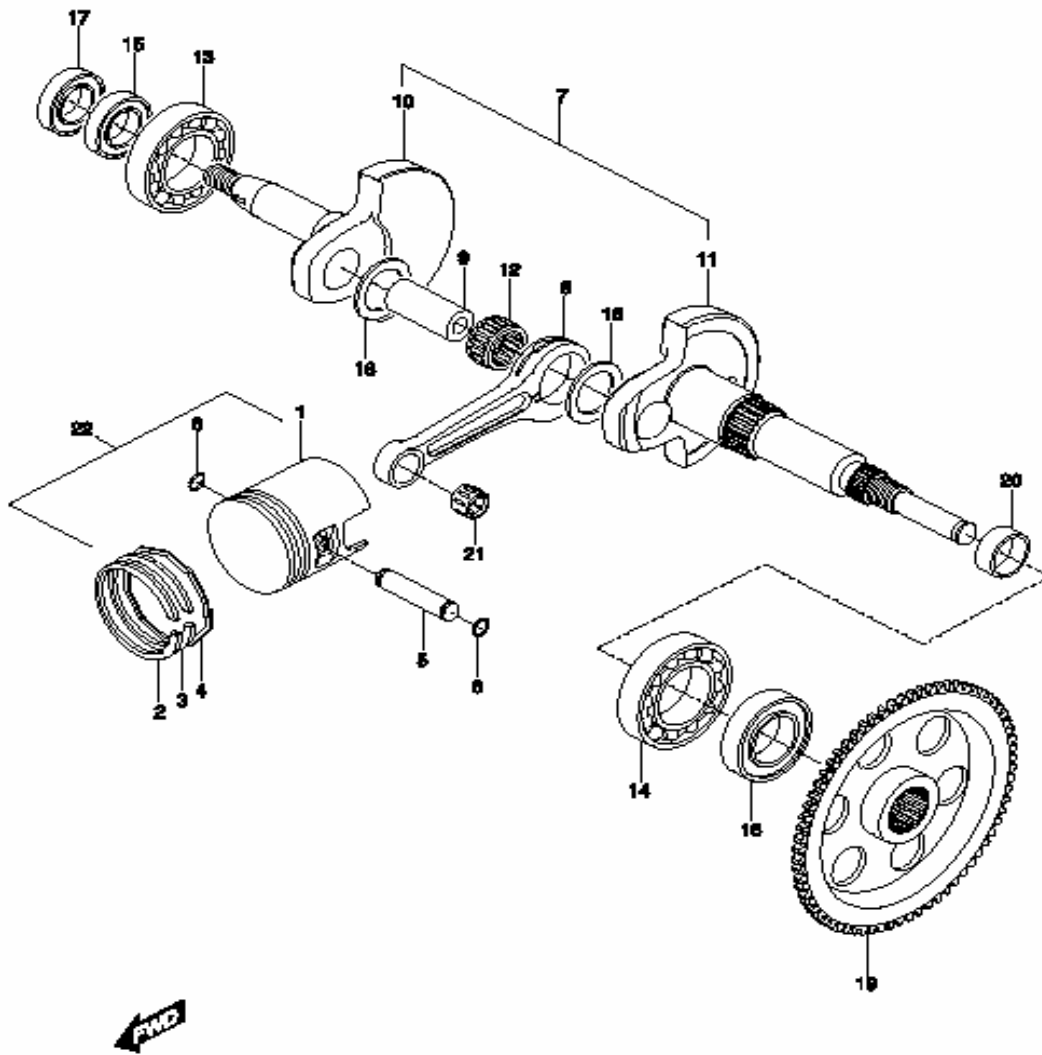
<b>E02</b>	<b>CRANKCASE</b>		
<b>REF</b>	<b>PART NUMBER</b>	<b>DESCRIPTION</b>	<b>2006</b>
<b>E2-1</b>	11311HG2650HPA	CRANKCASE, R	1
<b>E2-2</b>	09319-10030	BUSH, engine mounting	2
<b>E2-3</b>	04213-09129	KNOCK PIN, crankcase	2
<b>E2-4</b>	11321HG2650HPA	CRANKCASE, L	1
<b>E2-5</b>	09319-10032	BUSH, rear shock absorber	1
<b>E2-6</b>	09404-06401	CLAMP, intake pipe	2
<b>E2-7</b>	02112-06508	SCREW, crank case(M6×50)	3
<b>E2-8</b>	02112-06558	SCREW, crank case(M6×55)	2
<b>E2-9</b>	11431HN3250PCR	COVER, gear box	1
<b>E2-10</b>	11384HG2601	CUSHION, clutch cover upper	1
<b>E2-11</b>	11385HG2601	CUSHION, clutch cover lower	1
<b>E2-12</b>	01514-08128	BOLT, oil level(M8×12)	1
<b>E2-13</b>	09168-08008	GASKET, oil level bolt	1
<b>E2-14</b>	01547-06308	BOLT, gear box cover(M6×30)	6
<b>E2-15</b>	04213-11149	KNOCK PIN, gear box cover	2
<b>E2-16</b>	09168H10003	GASKET, oil drain bolt	1
<b>E2-17</b>	09247-100A8	PLUG, oil drain	1
<b>E2-18</b>	11484HG2602	GASKET, gear box cover	1
<b>E2-19</b>	13110HG2600	PIPE COMP, intake	1
<b>E2-20</b>	13126HF1601	GASKET intake pipe	2
<b>E2-21</b>	13150HF1600	VALVE ASS'Y, reed	1
<b>E2-22</b>	13125HF1601	GASKET, reed valve	1
<b>E2-23</b>	02112-96256	SCREW, intake pipe(M6×25)	4
<b>E2-24</b>	09139H06026	SCREW, intake pipe(M6×25)	1
<b>E2-25</b>	09128-06005	SCREW, carburetor	1
<b>E2-26</b>	09139H06021	SCREW, carburetor	1

# E03-CLUTCH COVER



<b>E03</b>	<b>CLUTCH COVER</b>		
<b>REF</b>	<b>PART NUMBER</b>	<b>DESCRIPTION</b>	<b>2006</b>
E3-1	11341HG260303P	COVER, clutch	1
E3-2	11482HG2601	GASKET, clutch cover	1
E3-3	04213-11149	KNOCK PIN, clutch cover	2
E3-4	01547-06258	BOLT, clutch cover(M6×25)	12
E3-4-1	09139H06026	SCREW,CLUTCH COVER	1
E3-5	01547-06358	BOLT, clutch cover(M6×35)	1
E3-6	01547-06608	BOLT, clutch cover(M6×60)	1

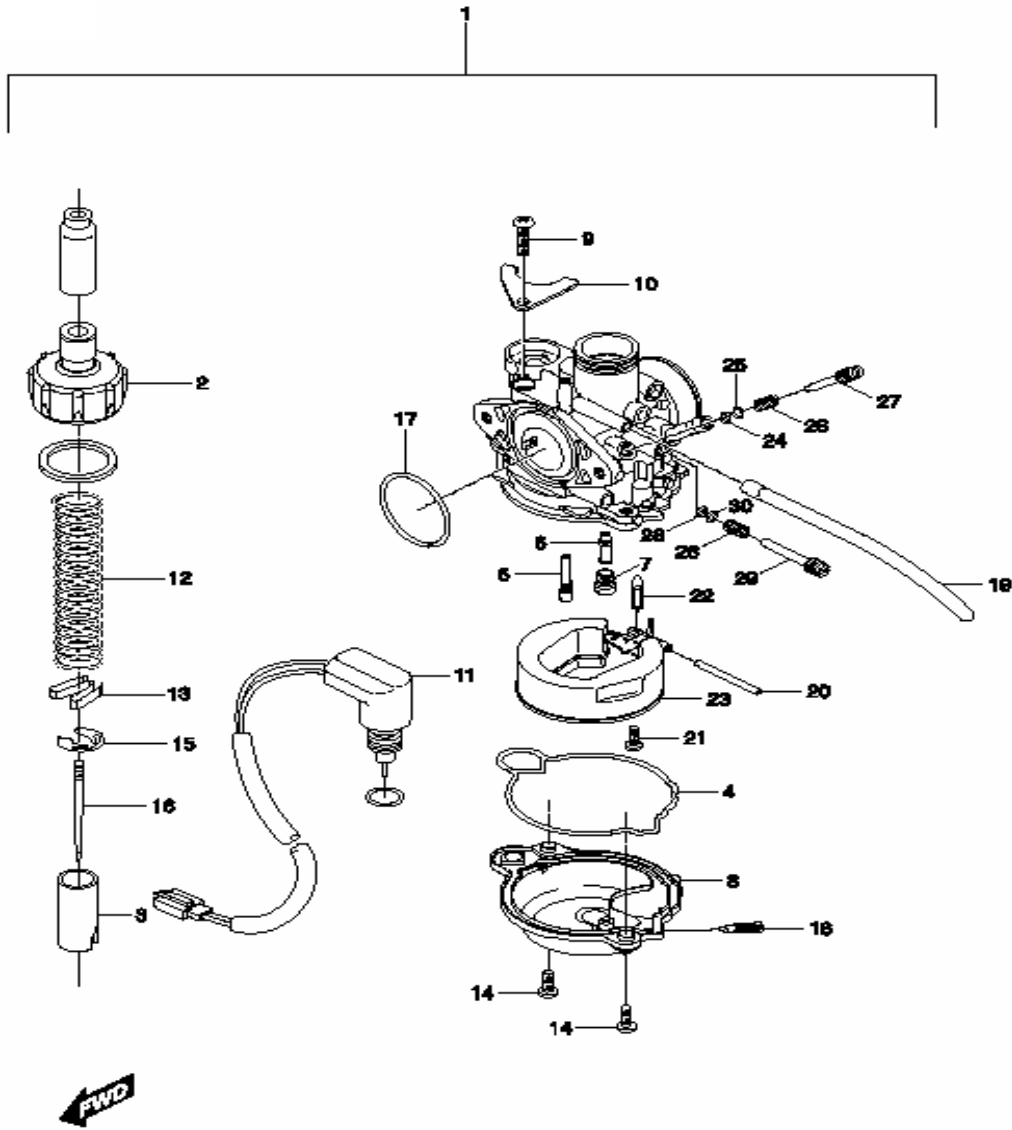
# E04-CRANKSHAFT





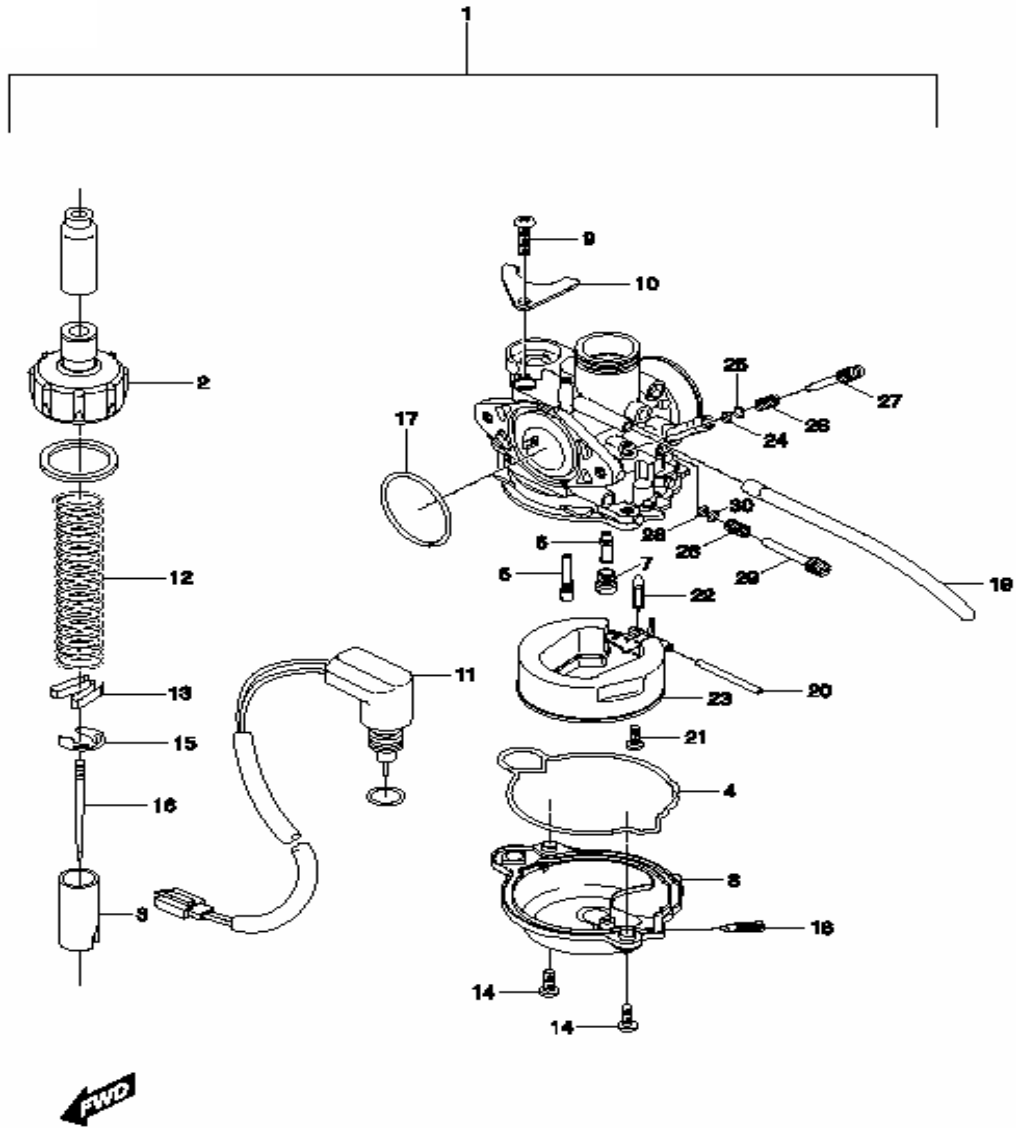
<b>E04</b>	<b>CRANKSHAFT</b>		
<b>REF</b>	<b>PART NUMBER</b>	<b>DESCRIPTION</b>	<b>2006</b>
E04-1	12110H11214PSA	PISTON COMP	1
E04-2	12141-35010	RING, piston 1st	1
E04-3	12142-29C10	RING, piston 2nd	1
E04-4	12149-29C10	RING, piston expander	1
E04-5	12151-46501	PIN, piston	1
E04-6	09381-10006	CIRCLIP, piston pin	2
E04-7	12200HG2600HPA	SHAFT ASS'Y, crank	1
E04-8	12161-37B02	ROD, connecting	1
E04-9	12211H11201888	PIN, crank	1
E04-10	12221HG2600CSA	CRANKSHAFT, R	1
E04-11	12261H11A00CSA	CRANKSHAFT, L	1
E04-12	09263H16004	BEARING, crank pin	1
E04-13	09262H250A2	BEARING, crankshaft R(28×68×18)	1
E04-14	09262H250A2	BEARING, crankshaft L(28×68×18)	1
E04-15	09284-20051	OIL SEAL, crankshaft R No. 1(20×42×6)	1
E04-16	09283-25083	OIL SEAL, crankshaft L(23.9×37×6)	1
E04-17	09283-25083	OIL SEAL, crankshaft R No. 2(23.9×37×6)	1
E04-18	09160H16040	THRUST WASHER, connecting rod	2
E04-19	12620HG2600	GEAR COMP, starter driven	1
E04-20	09180H18005	SPACER, crankshaft oil seal	1
E04-21	09263H10003	BEARING, piston pin(10×14×12.5)	1
E04-22	12110S11214HPA	PISTON ASS'Y (piston and rings set)	1

# E05-CARBURETOR



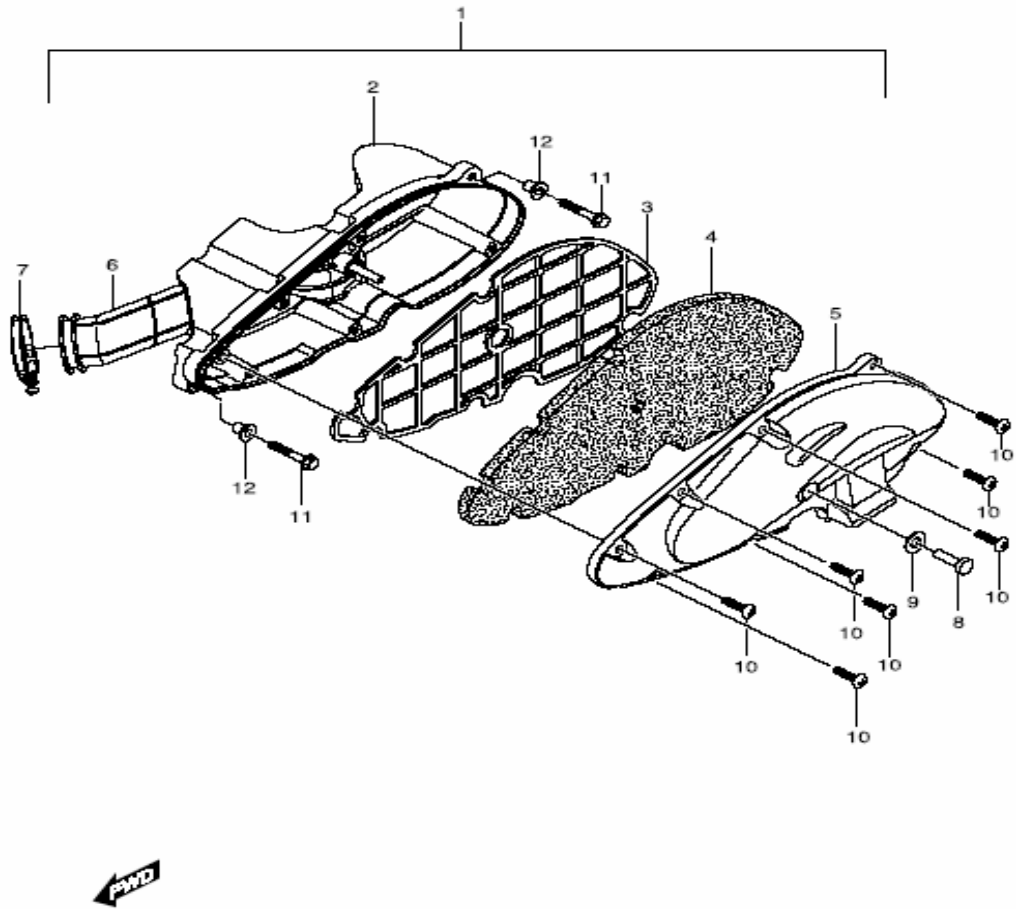
<b>E05</b>	<b>CARBURETOR</b>		
<b>REF</b>	<b>PART NUMBER</b>	<b>DESCRIPTION</b>	<b>2006</b>
E05-1	13091HN3251	CARBURETOR ASS'Y	1
E05-2	13681HG2600	CAP,carburetor top	1
E05-3	13551HG2630	VALVE,piston(CA)	1
E05-4	13258HG2600	O-RING	1
E05-5	09492H27030	JET,pilot(PJ)	1
E05-6	09494H00030	JET,needle(NJ)	1
E05-7	09491H65001	JET,main(MJ)	1
E05-8	13245HG2600	BODY ASS'Y,float	1
E05-9	13602-05108	SCREW(M5 X 10)	1
E05-10	13557HG2600	PLATE	1
E05-11	13411HG2600	PLUNGER ASS'Y	1
E05-12	13573HG2600	SPRING	1
E05-13	09408H00001	CLIP	1
E05-14	13601-05148	SCREW	2
E05-15	13394HG2600	E-RING	1
E05-16	13383HG2630		1
E05-17	13278HG2600	O-RING	1
E05-18	13247-13A00	SCREW	1
E05-19	13684HG2600	HOSE(5 X 8 X 125)	1
E05-20	13254HG2600	PIN	1
E05-21	13602-04088	SCREW	1
E05-22	13370HG2600	VALVE ASS'Y,needle(VS)	1
E05-23	13250-29C50	FLOAT ASS'Y	1

# E05-CARBURETOR



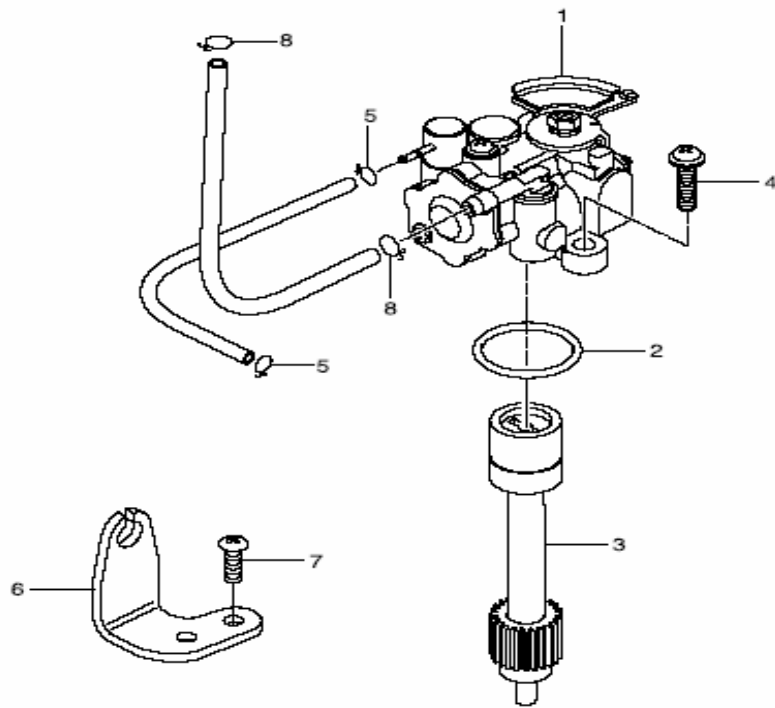
<b>E05</b>	<b>CARBURETOR</b>		
<b>REF</b>	<b>PART NUMBER</b>	<b>DESCRIPTION</b>	<b>2006</b>
E05-24	13295-29900	O-RING	1
E05-25	13606-47A00	WASHER	1
E05-26	13268-35010	SPRING	2
E05-27	13279HG2600	ADJUSTER(AS)	1
E05-28	13295-33010	O-RING	1
E05-29	13267HG2600	SCREW,adjuster	1
E05-30	13291-35010	WASHER	1
E05-31	13692-36C00	HEAT CARBURETOR	1
E05-32	13694-40D00	THERMO SW CARB	1

# E06-AIR CLEANER



<b>E06</b>	<b>AIR CLEANER</b>		
<b>REF</b>	<b>PART NUMBER</b>	<b>DESCRIPTION</b>	<b>2006</b>
E06-1	13700HG2603	CLEANER ASS'Y, air	1
E06-2	13720HG2603	CASE COMP, air cleaner	1
E06-3	13751HG2601	TRAP, air cleaner	1
E06-4	13781HG2601	FILTER, air cleaner	1
E06-5	13740HG2603	CAP COMP, air cleaner	1
E06-6	13881HG2601	TUBE, outlet	1
E06-7	09402-42207	CLAMP, outlet cleaner	1
E06-8	03151-06258	SCREW, air cleaner cap(M6×25)	1
E06-9	09169H06048	WASHER, air cleaner cap	1
E06-10	02142-05165	SCREW, air cleaner cap(M5×16)	7
E06-11	01547-06303	BOLT, air cleaner(M3×30)	2
E06-12	13725HF4500	COLLAR, air cleaner	2

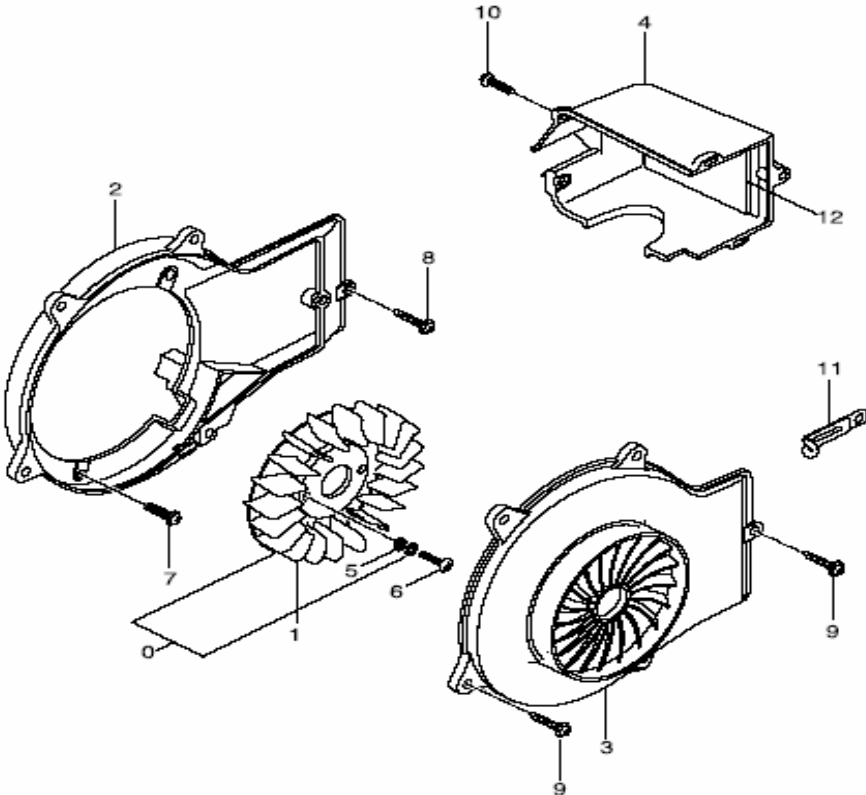
# E07-OIL PUMP





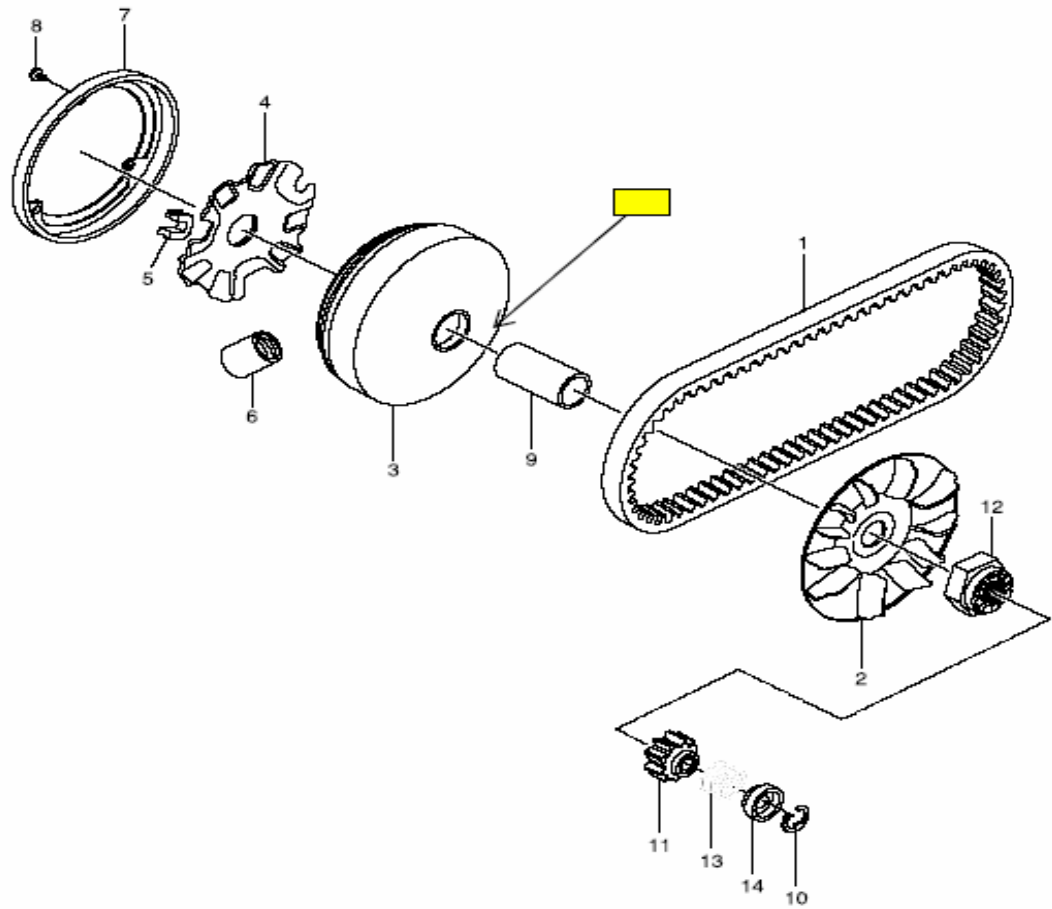
<b>E07</b>	<b>OIL PUMP</b>		
<b>REF</b>	<b>PART NUMBER</b>	<b>DESCRIPTION</b>	<b>2006</b>
E07-1	16100HG2601	PUMP ASS'Y, oil	1
E07-2	09280H20002	O-RING, oil pump	1
E07-3	16331H11200	GEAR, oil pump pinion NT:30	1
E07-4	02112-35168	SCREW, oil pump(M5×16)	2
E07-5	09401-04401	CLIP, oil hose No.1	1
E07-6	16631HG2600	BRACKET, oil pump cable adjust	1
E07-7	02112-06128	SCREW, oil pump bracket	2
E07-8	09401-08401	CLIP, oil hose No2	1

# E08-COOLING FAN



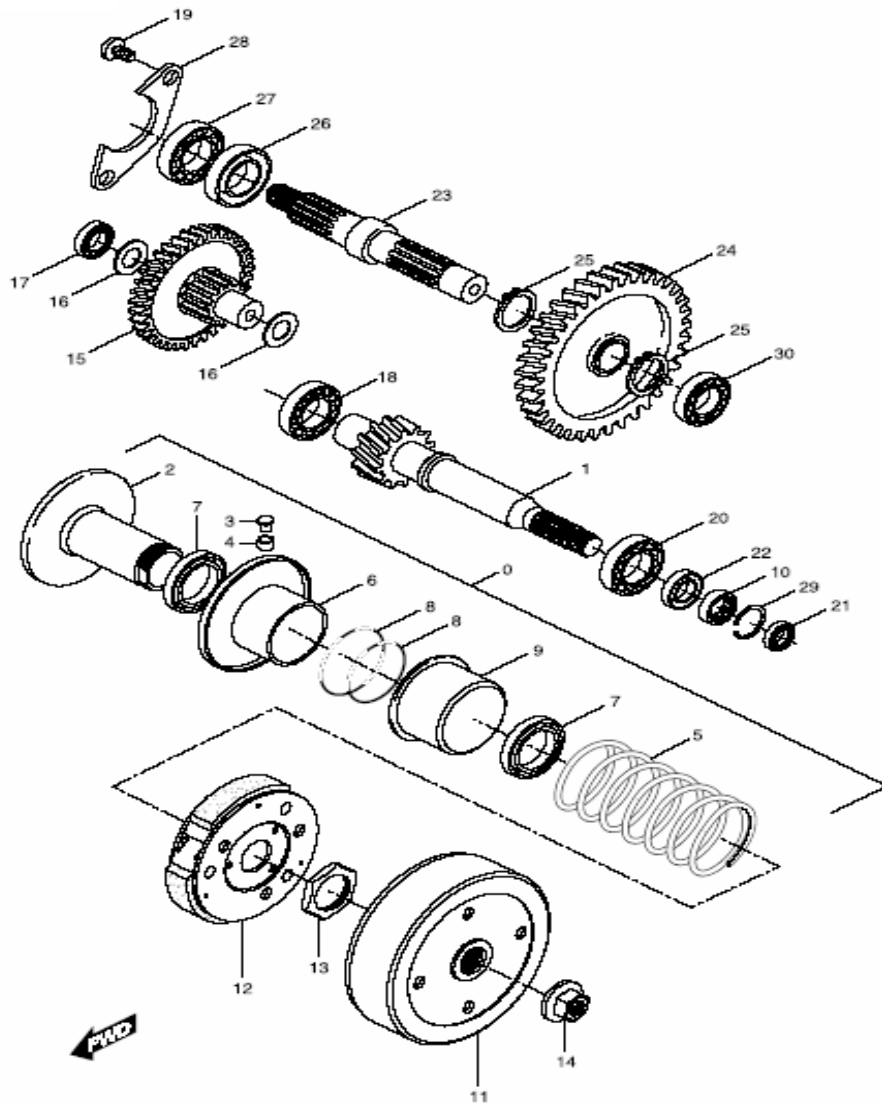
<b>E08</b>	<b>COOLING FAN</b>		
<b>REF</b>	<b>PART NUMBER</b>	<b>DESCRIPTION</b>	<b>2006</b>
E08-0	17110H11200	FAN COMP, cooling	1
E08-1	17111H11200	FAN, cooling	1
E08-2	17140HG2600	CASE COMP, fan	1
E08-3	17130HG2601	COWLING COMP, fan	1
E08-4	17120HG2601	COWLING COMP, cylinder	1
E08-5	17134-02900	SPACER	2
E08-6	02112-96168	SCREW(M6×12)	2
E08-7	02152-06168	SCREW(M6×16)	4
E08-8	03151-06205	SCREW(M6×20)	1
E08-9	03151-06205	SCREW(M6×16)	5
E08-10	02112-96168	SCREW	2
E08-11	09404-06401	CLAMP	1
E08-12	17122H11200	CUSHION	1

# E09-TRANSMISSION [1]



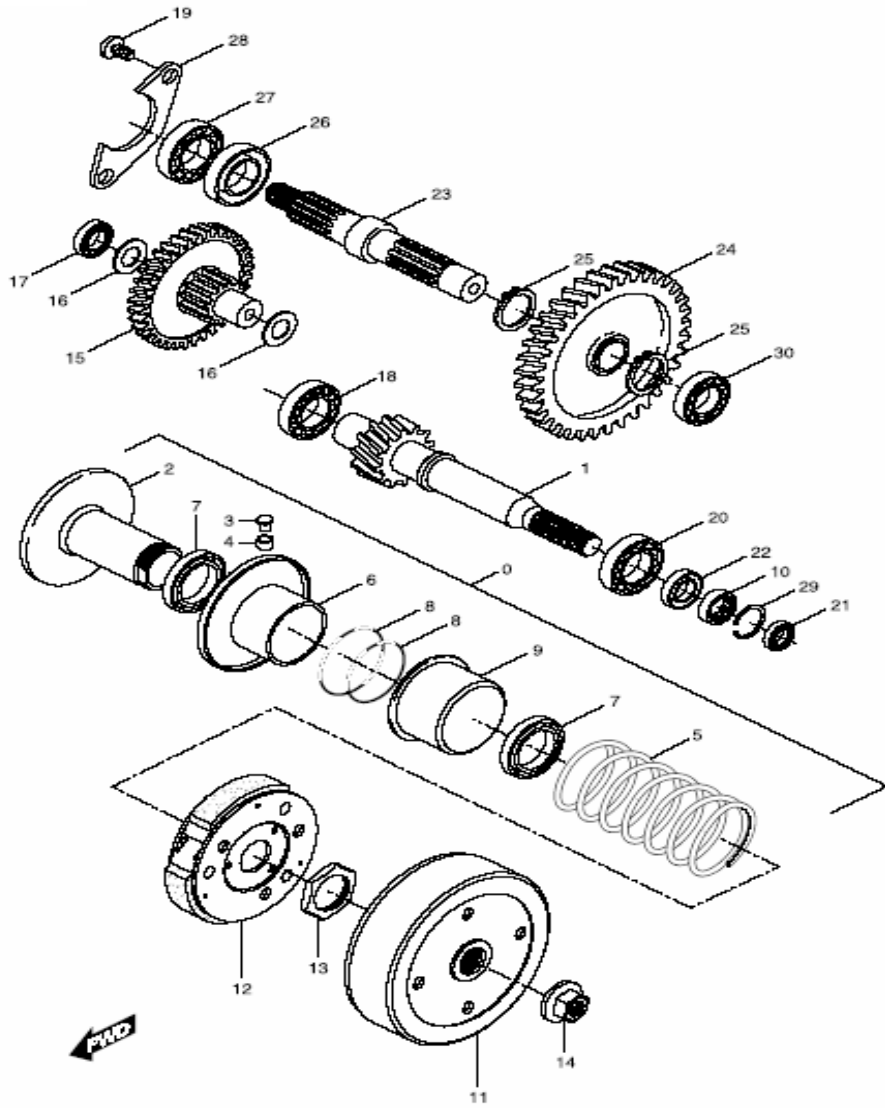
<b>E09</b>	<b>TRANSMISSION [1]</b>		
<b>REF</b>	<b>PART NUMBER</b>	<b>DESCRIPTION</b>	<b>2006</b>
E09-1	27601HG2600	V-BELT, drive	1
E09-2	21110H11A02	FACE COMP, fixed drive	1
E09-3	21120HE7100	FACE COMP, movable drive	0
E09-3-1	21120HG2650	FACE COMP, movable drive	1
	21120HE7100 and 21120HG2650 is compatible.		
E09-4	21431HE7100	PLATE, movable drive	1
E09-5	21481HE7100	DAMPER, movable drive face plate	3
E09-6	21650HG2600HPA	ROLLER MOVABLE DRIVE ASS'Y	6
E09-7	21122-37B01	COVER, movable drive face	0
E09-8	02142-04108	SCREW, movable drive face(M4×10)	0
E09-9	09180H16022	SPACER, movable drive	1
E09-9-1	09180H22020	SPACER, movable drive	1
E09-10	08332-11079	E-RING, kick starter driven spacer	1
E09-11	26280-29C00	GEAR COMP, kick starter driven NT:9	1
E09-12	26282H11A00	NUT, kick starter driven(M12)	1
E09-13	09440H14007	SPRING, kick starter driven	1
E09-14	26283H11200	SPACER, kick starter driven	1

# E10-TRANSMISSION [2]



<b>E10</b>	<b>TRANSMISSION [2]</b>		
<b>REF</b>	<b>PART NUMBER</b>	<b>DESCRIPTION</b>	<b>2006</b>
E10-0	21091HG2601	PULLEY SET, driven	1
E10-1	24111H11223	SHAFT, drive 14T	1
E10-2	21210-09E02	FACE COMP, fixed driven	1
E10-3	09201H06002	PIN, movable driven	3
E10-4	09180H06042	SPACER, movale driven pin	3
E10-5	09440H52003	SPRING	1
E10-6	21240HG2600	FACE COMP, movable driven	1
E10-7	09284-34002	OIL SEAL, movable driven (34x39x4)	2
E10-8	09280-41005	O-RING, movable driven (39.x1.6)	2
E10-9	21471-03A03	SHEET, movable driven face	1
E10-10	09263H17001	BEARING, fixed driven R (17x25x10)	1
E10-11	21220-04C12	HOUSIGN COMP, clutch	1
E10-12	21501HG2600	CLUTCH ASS'Y, shoe (NA)	1
E10-13	09140H28004	NUT(M28)	1
E10-14	08316-26108	NUT(M10)	1
E10-15	24310H11A01HPA	GEAR ASS'Y, counter driven	2
E10-16	09160-15034	THRUST WASHER, counter shaft R	2
E10-17	08113-62010	BEARING (12x32x10)	1
E10-18	08113-62020	BEARING (15x35x11)	1
E10-19	02122-06168	SCREW, retainer(M6x16)	2
E10-20	09262H17001	BEARING (17x47x14)	1
E10-21	08120H69017	BEARING (12x24x6)	1
E10-22	09283H17002	OIL SEAL (17x27x5)	1
E10-23	24141HG2600	SHAFT, rear axle	1

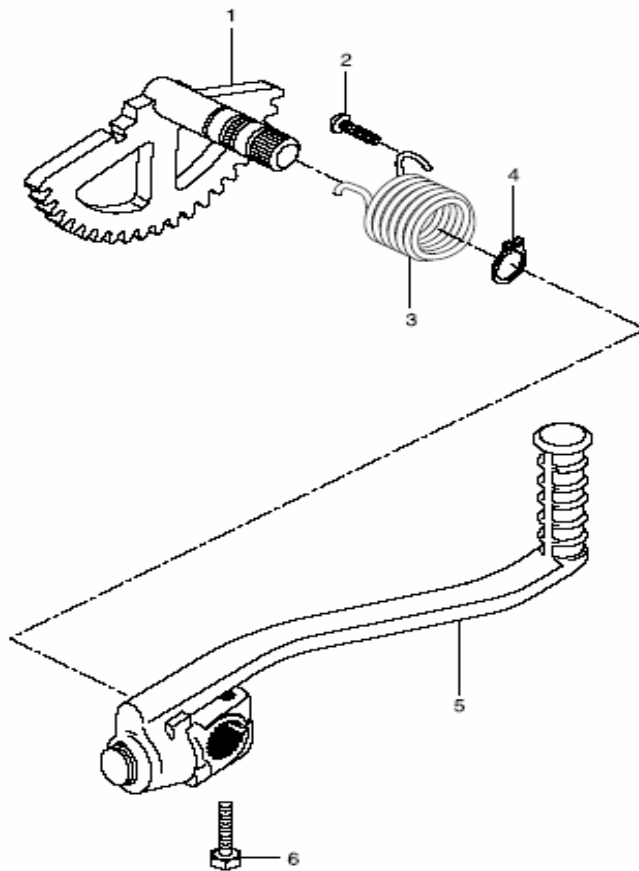
# E10-TRANSMISSION [2]





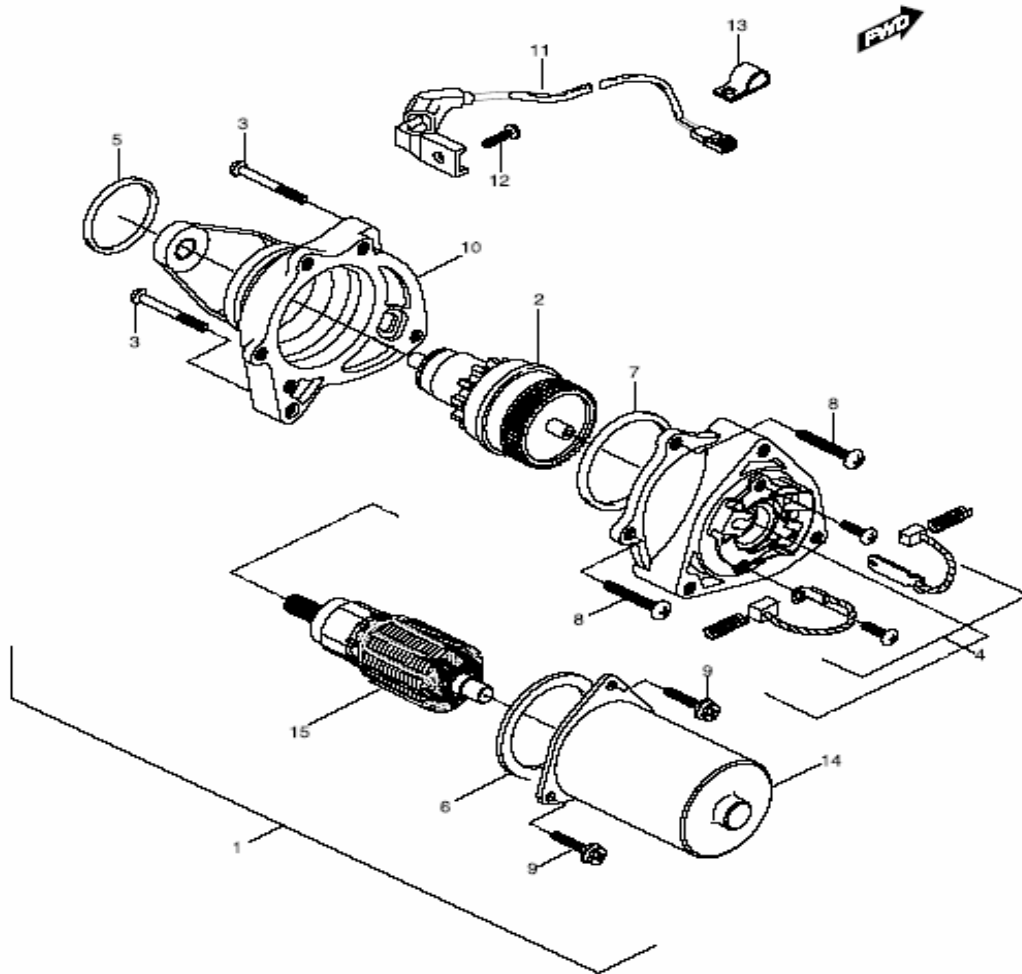
<b>E10</b>	<b>TRANSMISSION [2]</b>		
<b>REF</b>	<b>PART NUMBER</b>	<b>DESCRIPTION</b>	<b>2006</b>
E10-24	24331H11220	GEAR, final (40T)	1
E10-25	08331-31229	CIRCLIP	2
E10-26	09283-27010	OIL SEAL (27x40x7)	1
E10-27	08130-62047	BEARING (20x47x14)	1
E10-28	24751H07900	RETAINER	1
E10-29	08331-41249	CIRCLIP	1
E10-30	08113-62030	BEAREING (17x40x12)	1

# E11-KICK STARTER



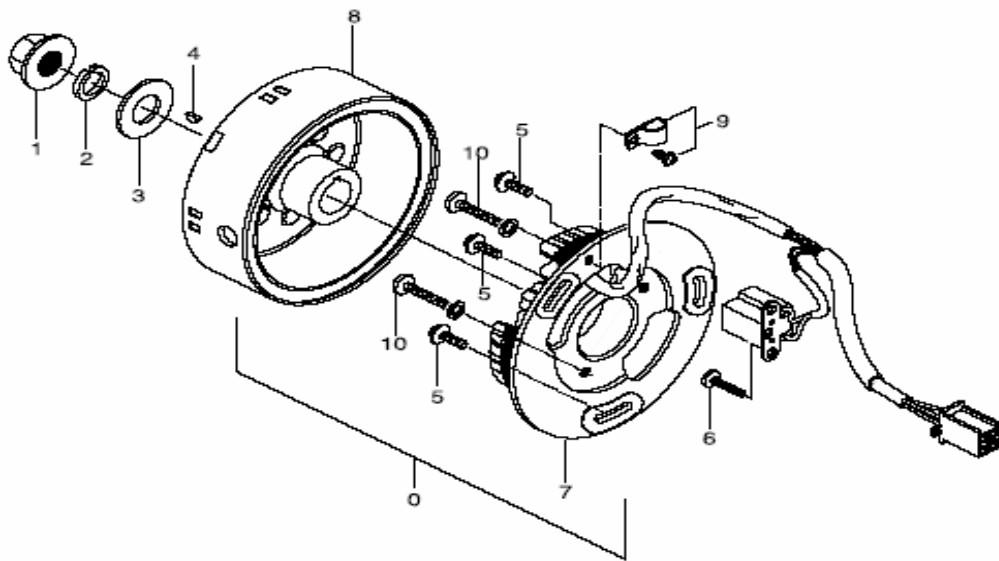
<b>E11</b>	<b>KICK STARTER</b>		
<b>REF</b>	<b>PART NUMBER</b>	<b>DESCRIPTION</b>	<b>2006</b>
E11-1	26210HF1601	SHAFT COMP, kick starter	1
E11-2	02142-06108	SCREW(M6×10)	1
E11-3	09448-58003	SPRING	1
E11-4	08331-31149	CLRCLIP	1
E11-5	26300-41D00	LEVER ASS'Y, kick starter	1
E11-6	01107-06208	BOLT, kick starter lever(M6×20)	1

# E12-STARTING MOTOR



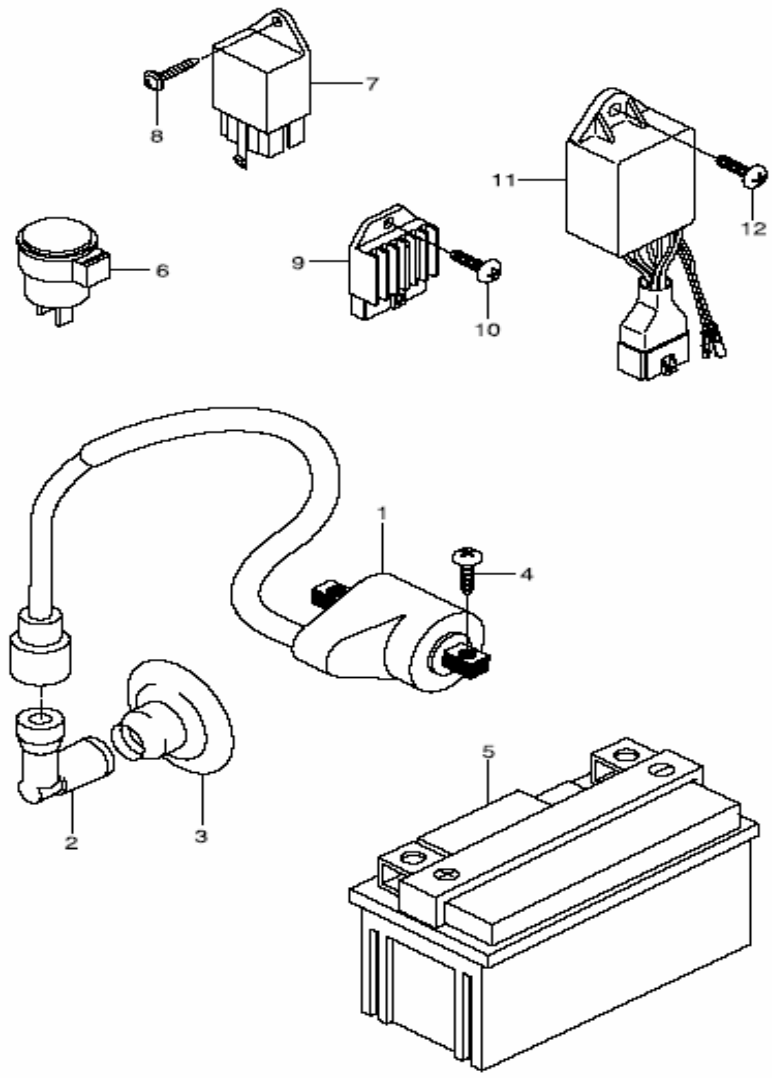
<b>E12</b>	<b>STARTING MOTOR</b>		
<b>REF</b>	<b>PART NUMBER</b>	<b>DESCRIPTION</b>	<b>2006</b>
E12-1	31100H11A02	MOTOR ASS'Y, starting	1
E12-2	31370H11200	PINION GEAR ASS'Y	1
E12-3	02112-06608	SCREW, starting motor mounting (M6×60)	2
E12-4	31131-02100	BRUSH SET	1
E12-5	31156-02100	O-RING	1
E12-6	31158-02540	GASKET	1
E12-7	31158-02100	O-RING	1
E12-8	31151-02540	SCREW B(M4X14)	2
E12-9	31151-02100	SCREW A(M4X30)	3
E12-10	31132H51600	HOLDER	1
E12-11	31151-02100	LEAD WIRE	1
E12-12	31152-02540	SCREW	1
E12-13	09404-06403	CLAMP	1
E12-14	31120H51600	COVER, starting motor	1
E12-15	31311H11200	ARMATURE	1

# E13-MAGNETO



<b>E13</b>	<b>MAGNETO</b>		
<b>REF</b>	<b>PART NUMBER</b>	<b>DESCRIPTION</b>	<b>2006</b>
E13-0	32100HG2680	MAGNETO ASS'Y	1
E13-1	08316-26108	NUT, magneto rotor(M10)	1
E13-2	08321-31108	LOCK WASHER, magneto	1
E13-3	08322-21108	WASHER, magneto	1
E13-4	08341-31039	KEY, magneto	1
E13-5	09132H05128	SCREW, magneto stater(M5X12)	3
E13-6	02112-05106	SCREW, pick up coil(M5X10)	2
E13-7	32101HG2680	STATOR ASS'Y	1
E13-8	32102HG2670	ROTOR ASS'Y	1
E13-9	09404-16404	CLAMP, magneto lead wire	1
E13-10	09120-06081	SCREW	2

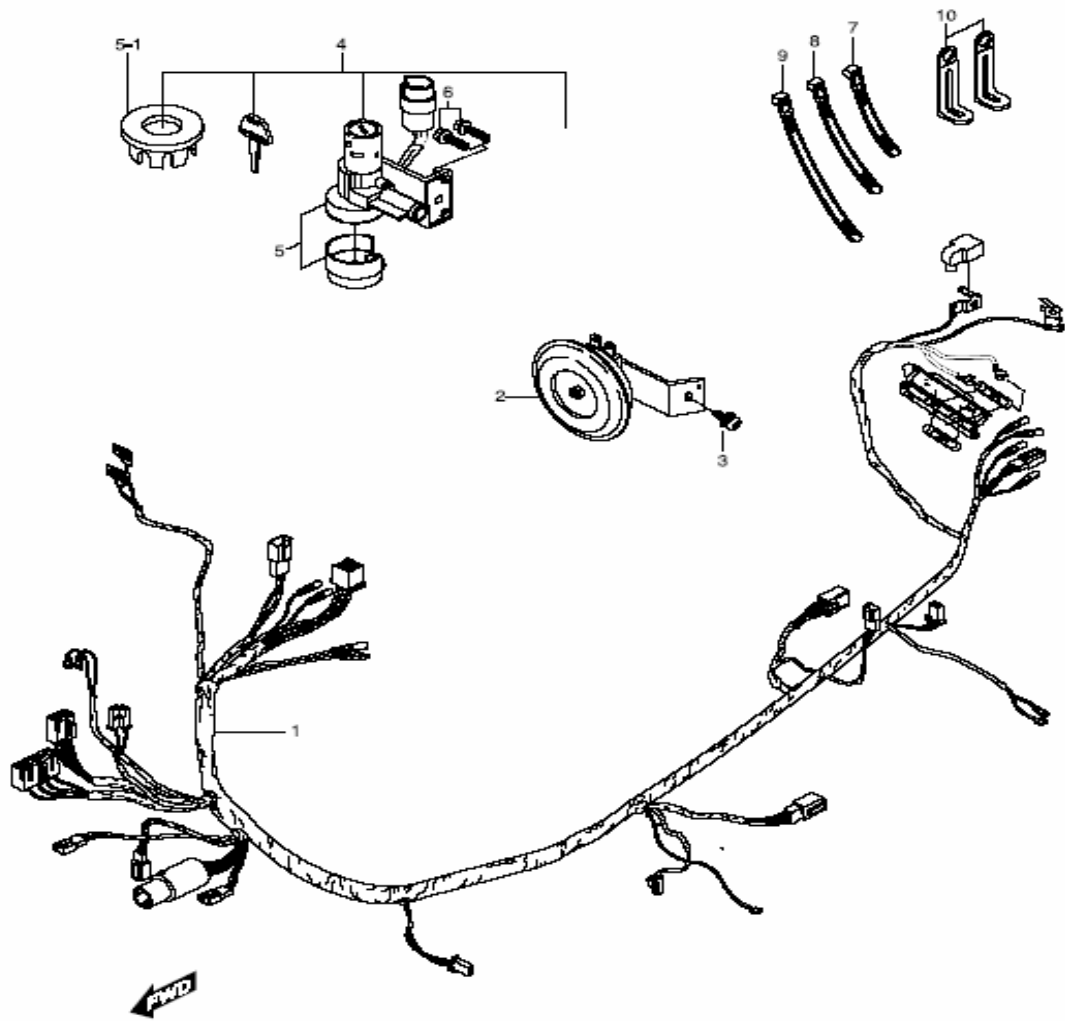
# E14-ELECTRICAL





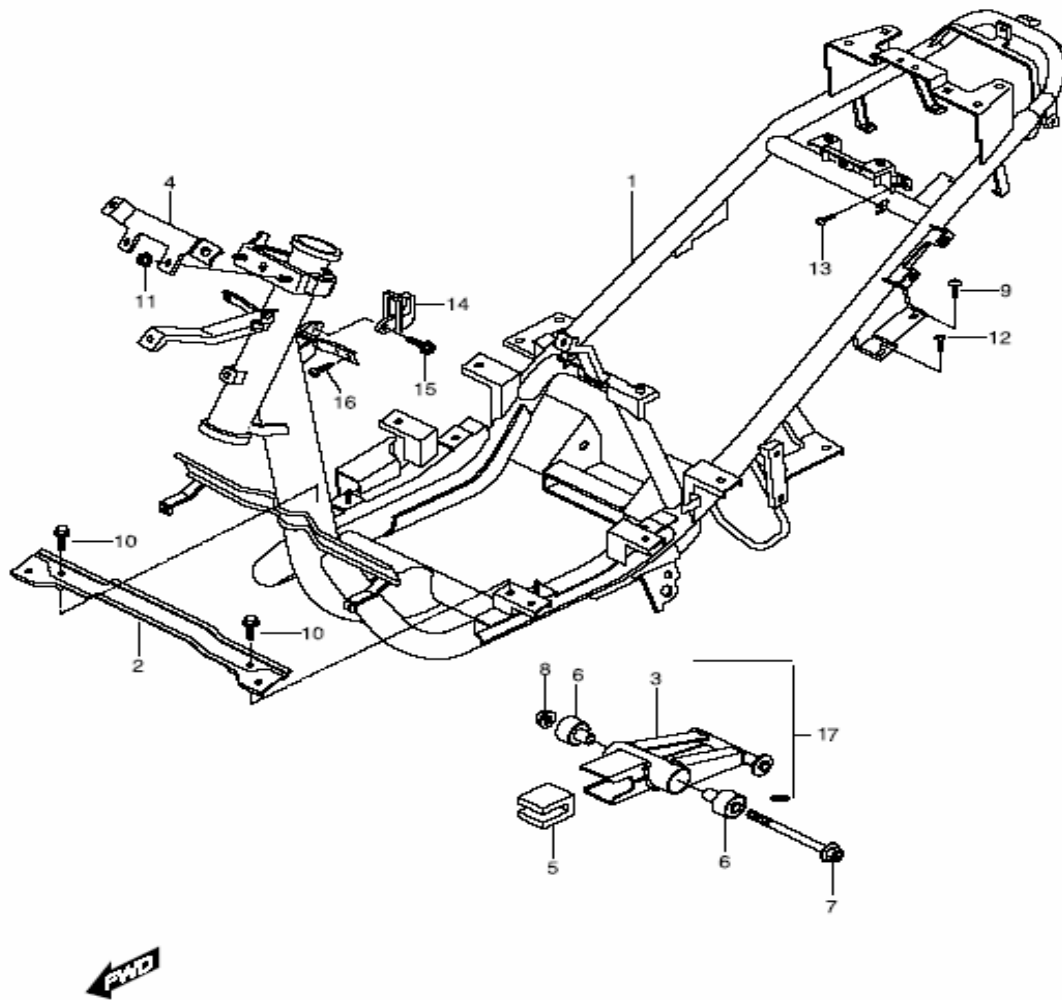
<b>E14</b>	<b>ELECTRICAL</b>		
<b>REF</b>	<b>PART NUMBER</b>	<b>DESCRIPTION</b>	<b>2006</b>
E14-1	33410HK3101	COIL ASS'Y, ignition	1
E14-2	33510H11200	CAP, spark plug	1
E14-3	33543HG2600	BOOT, spark plug cap	1
E14-4	01134-06208	BOLT, ignition coil(M6×20)	1
E14-5	33610-40B12	BATTERY ASS'Y (12V, 4AH)	1
E14-6	38610HF3400	RELAY ASS'Y, turnsignal	1
E14-7	31800H47A00	RELAY ASS'Y, starting motor	1
E14-8	02142-06128	SCREW, starting motor relay(M6×12)	1
E14-9	32800-36C20	RECTIFIER ASS'Y	1
E14-10	02142-06165	SCREW, rectifier(M6×16)	1
E14-11	32900HG2661	C.D.I UNIT	1
E14-12	02142-06128	SCREW. C.D.I unit(M6×12)	1

# E15-WIRING HARNESS



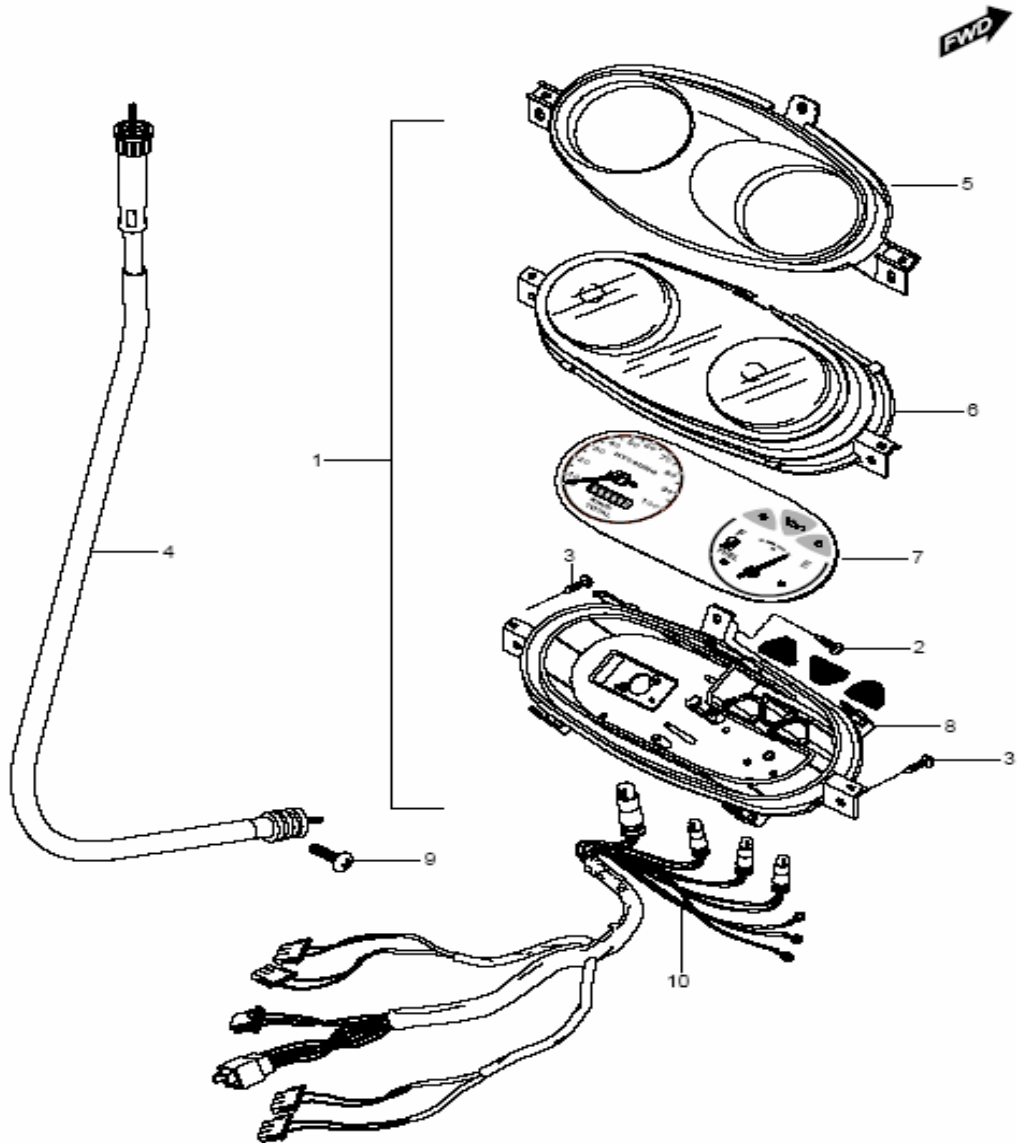
<b>E15</b>	<b>WIRING HARNESS</b>		
<b>REF</b>	<b>PART NUMBER</b>	<b>DESCRIPTION</b>	<b>2006</b>
E15-1	36610HK2751	HARNESS, wiring	1
E15~1	36610HK2751	HARNESS, wiring	1
E15-2	38500HN3201	HORN ASSY	1
E15-3	02112-36128	BOLT, HORN(M6×12)	1
E15-4	37000HG2630	KEY SET	1
E15-5	37100HG2410	LOCK ASSY, steering	1
E15-5-1	37155HB1410	CAP, steering lock	1
E15-6	09128-06005	SCREW, steering lock(M6×12)	1
E15-7	09407-254A1	CLAMP, wiring harness	1
E15-8	09403-09301	CLAMP, wiring harness	1
E15-9	09407-22402	CLAMP, wiring harness	7
E15-10	09404-06401	CLAMP, wiring harness	2

# F01-FRAME



<b>F01</b>	<b>FRAME</b>		
<b>REF</b>	<b>PART NUMBER</b>	<b>DESCRIPTION</b>	<b>2006</b>
F01-1	41100HN3250PAM	FRAME COMP	1
F01-2	41551HK2701	PLATE, leg shield rear front	1
F01-3	61110HG2603	LINK COMP, engine mounting	1
F01-4	41512HG2600	BRACKET, leg front upper	1
F01-5	61121H11201	CUSHION, engine mounting link	1
F01-6	09319H12025	BUSH, engine mounting link	2
F01-7	09103-12045	BOLT, engine mounting link(M12×40)	1
F01-8	08319-31126	NUT, engine mounting link(M12)	1
F01-9	03241-05165	SCREW, frame & side cover lower R/L(M5×16)	3
F01-10	01517-06125	BOLT, leg shield rear front plate(M6×12)	2
F01-11	08316-26066	NUT, leg front upper bracket(M6)	2
F01-12	03241-05108	SCREW, frame & side cover lower rr LH(M5×10)	1
F01-13	02142-05125	SCREW, side cover lower & frame	1
F01-14	92113HG260126B	HOOK, leg shield cover	1
F01-15	01517-06125	BOLT, leg shield cover hook(M6×12)	1
F01-16	03241-05165	SCREW, frame & leg shield cover(M5×16)	2
F01-17	61110HG2603HPA	LINK COMP, engine mounting	1

# F02-SPEEDOMETER



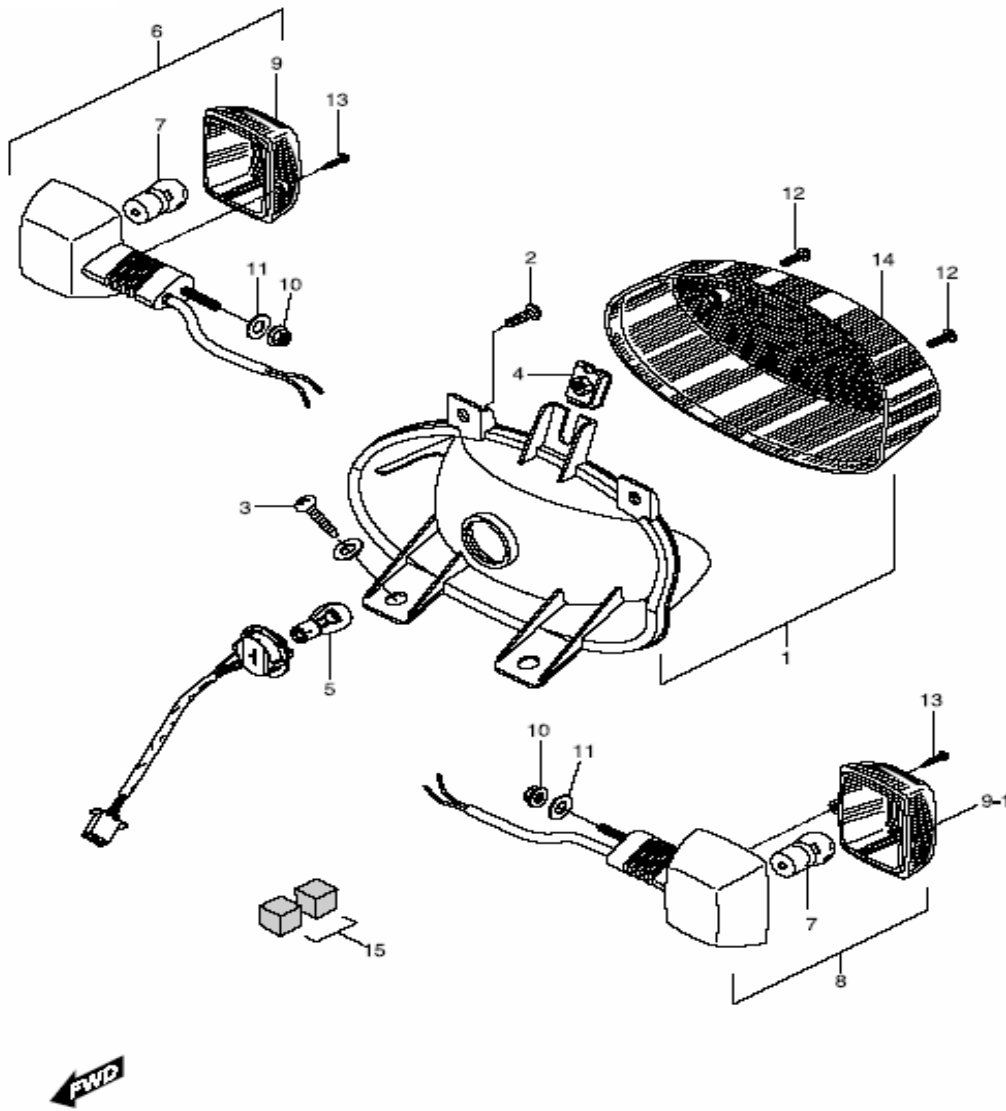
<b>F02</b>	<b>SPEEDOMETER</b>		
<b>REF</b>	<b>PART NUMBER</b>	<b>DESCRIPTION</b>	<b>2006</b>
F02-1	34100HK2750	SPEEDOMETER ASS'Y	1
F02-2	03241-05165	SCREW, speedo meter	1
F02-3	03241-05206	SCREW, speedo meter	2
F02-4	34910HB1101	CABLE ASS'Y, speedometer	1
F02-5	34210HG2600	DECORATION, speedometer	1
F02-6	34150HG2600	WINDOW CASE	1
F02-7	34112HG2600	DIAL	1
F02-8	34150HG2600	CASE,SUB	1
F02-9	03241-05165	SCREW, speedometer(M5×16)	1
F02-10	34170HG2600	WIRING ASS'Y	1





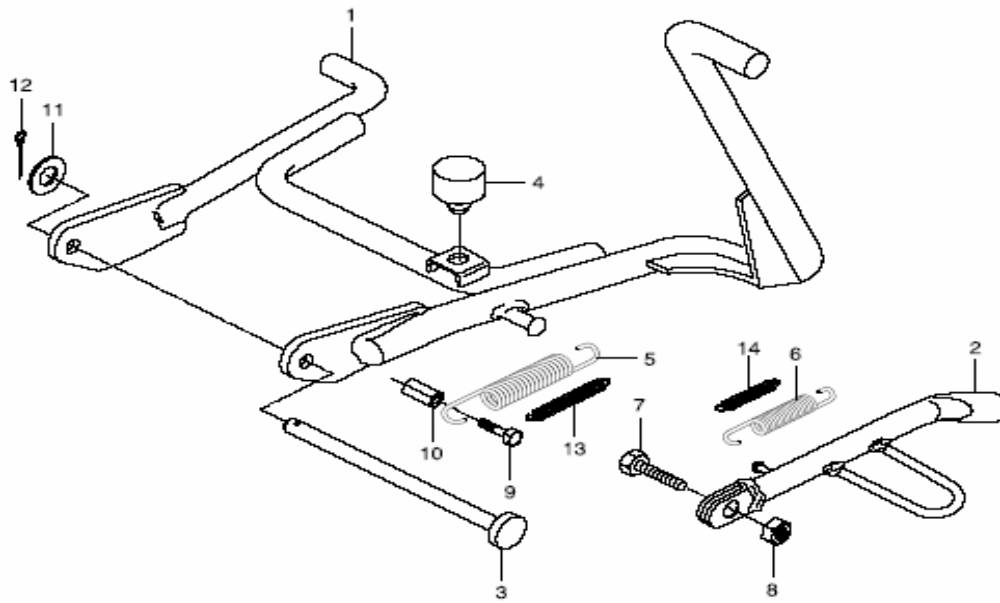
<b>F03</b>	<b>HEAD LAMP</b>		
<b>REF</b>	<b>PART NUMBER</b>	<b>DESCRIPTION</b>	<b>2006</b>
F03-1	35100HN3202	HEAD LAMP ASSY	1
F03-2	09471H29E10	BULB, head lamp(12V 35/35W)	1
F03-3	35130HN3200	WIRING ASS'Y, head lamp	1
F03-4	09111H05001	BOLT, head lamp	2
F03-5	35151H11200	BOLT, head lamp aiming	1
F03-6	35128H11200	PLATE WASHER, head lamp aiming	1
F03-7	08322-21068	WAVE WASHER, head lamp aiming	1
F03-8	48115HM3600	PLATE,HEAD LAMP AIMING	1
F03-9	03241-05165	SCREW, headlamp aiming plate	2

# F04-TAIL LIGHT



<b>F04</b>	<b>TAIL LIGHT</b>		
<b>REF</b>	<b>PART NUMBER</b>	<b>DESCRIPTION</b>	<b>2006</b>
F04-1	35710HG2660	LAMP ASS'Y, tail & stop	1
F04-2	02142-06125	BOLT, tail & stop lamp(M6×12)	2
F04-3	03241-05165	SCREW, tail & stop lamp(M5×16)	2
F04-4	09148-05039	NUT, tail & stop lamp(M5)	1
F04-5	09471-12046	BULB, tail & stop (12V 10/5W)	1
F04-6	35603HG2650	LAMP ASS'Y, rear turnsignal R	1
F04-7	09471-12142	BULB, rear turnsignal (12V 10W)	2
F04-8	35604HG2650	LAMP ASS'Y, rear turnsignal L	1
F04-9	35652-35C00	LENS, rear turnsignal R	1
F04-9-1	35672-35C00	LENS, rear turnsignal L	1
F04-10	08310-11068	NUT, rear turnsignal(M6)	2
F04-11	08322-21068	WASHER, rear turnsignal	2
F04-12	03211-04205	SCREW(M4×20)	2
F04-13	35625-01A00	TAPPING SCREW	2
F04-14	35712HG2600	LENS, tail & stop	1
F04-15	35722HG2600	CUSHION, licence lamp	2

# F05-STAND

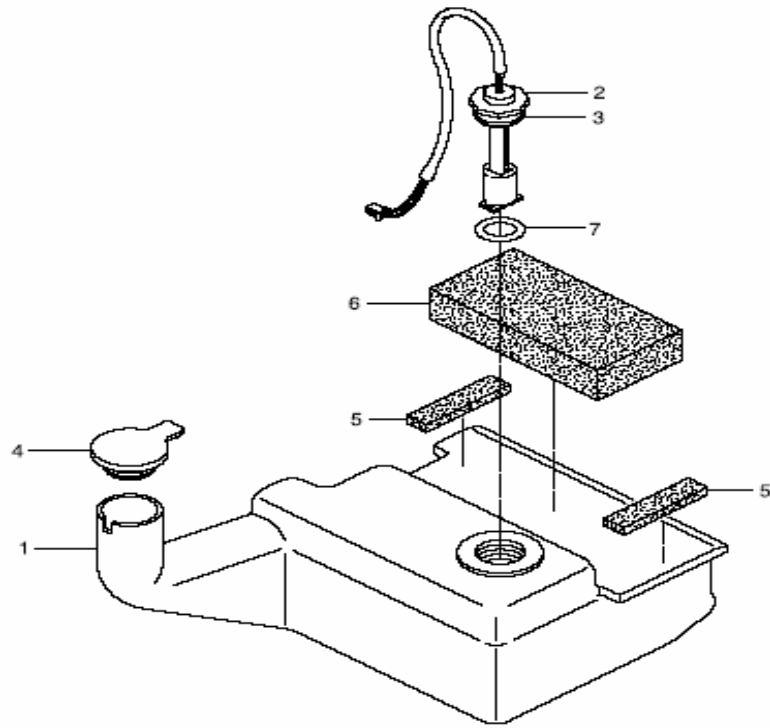


<b>F05</b>	<b>STAND</b>		
<b>REF</b>	<b>PART NUMBER</b>	<b>DESCRIPTION</b>	<b>2006</b>
F05-1	42110HG2609	STAND COMP, center	1
F05-2	42310HG2651	STAND COMP, prop	1
F05-3	42211HG2600	SHAFT, center stand pivot	1
F05-4	09321-10001	CUSHION, center stand spring	1
F05-5	09443H17005	SPRING, center stand	1
F05-6	09443-14036	SPRING, prop stand	1
F05-7	09100-10031	BOLT, prop stand(M10×30)	1
F05-8	08313-11107	NUT, prop stand(M10)	1
F05-9	09100-06078	BOLT, center stand spring(M6×33)	1
F05-10	09140-06007	NUT, center stand spring(M6)	1
F05-11	08322-11106	WASHER, center stand	1
F05-12	09204-02003	COTTER PIN, center stand	1
F05-13	09443H10001	SPRING, center stand inner	1
F05-14	09443-06001	SPRING, prop stand inner	1



<b>F06</b>	<b>FUEL TANK</b>		
<b>REF</b>	<b>PART NUMBER</b>	<b>DESCRIPTION</b>	<b>2006</b>
F06-1	44100HK2704PAH	TANK SET, fuel	1
F06-2	44110HK2704PAM	TANK COMP, fuel	1
F06-3	15100HG2600	PUMP ASS'Y, fuel	1
F06-4	34810HK2700	GAUGE ASS'Y, fuel sender	1
F06-5	34825HE7100	PACKING	1
F06-6	44200HK2701	CAP SET, fuel tank filler	1
F06-7	44210HK2700	CAP COMP, fuel tank filler	1
F06-8	44248-35000	GASKET, fuel tank filler cap	1
F06-9	33652-29100	CUSHION, fuel tank (90X20X3t)	2
F06-10	08316-26066	NUT, fuel tank front(M6)	2
F06-11	01517-06125	BOLT, fuel tank rear(M6X12)	2
F06-12	44199HK2701	HOSE, fuel strainer inlet	1
F06-13	44197HK2701	HOSE, fuel strainer outlet	1
F06-14	44910HG2600	STARINER COMP, fuel	1
F06-15	09401-12401	CLIP, fuel inlet hose No1	1
F06-16	09401-08401	CLIP, fuel inlet hose No2	1
F06-17	09401-08401	CLIP, fuel outlet hose No1	1
F06-18	09401-10401	CLIP, fuel outlet hose No2	1
F06-19	02112-35168	SCREW, fuel pump(M5x16)	2
F06-20	15821HK2700	HOSE, fuel No1	1
F06-21	15831HK2700	HOSE, fuel No2	1
F06-22	09401-09101	CLIP, fuel hose	2
F06-23	09401-10401	CLIP, fuel hose	2
F06-24	34811HE7100	PLATE, fuel gauge	1
F06-25	44613HE7100	CUSHION, fuel tank No2	1

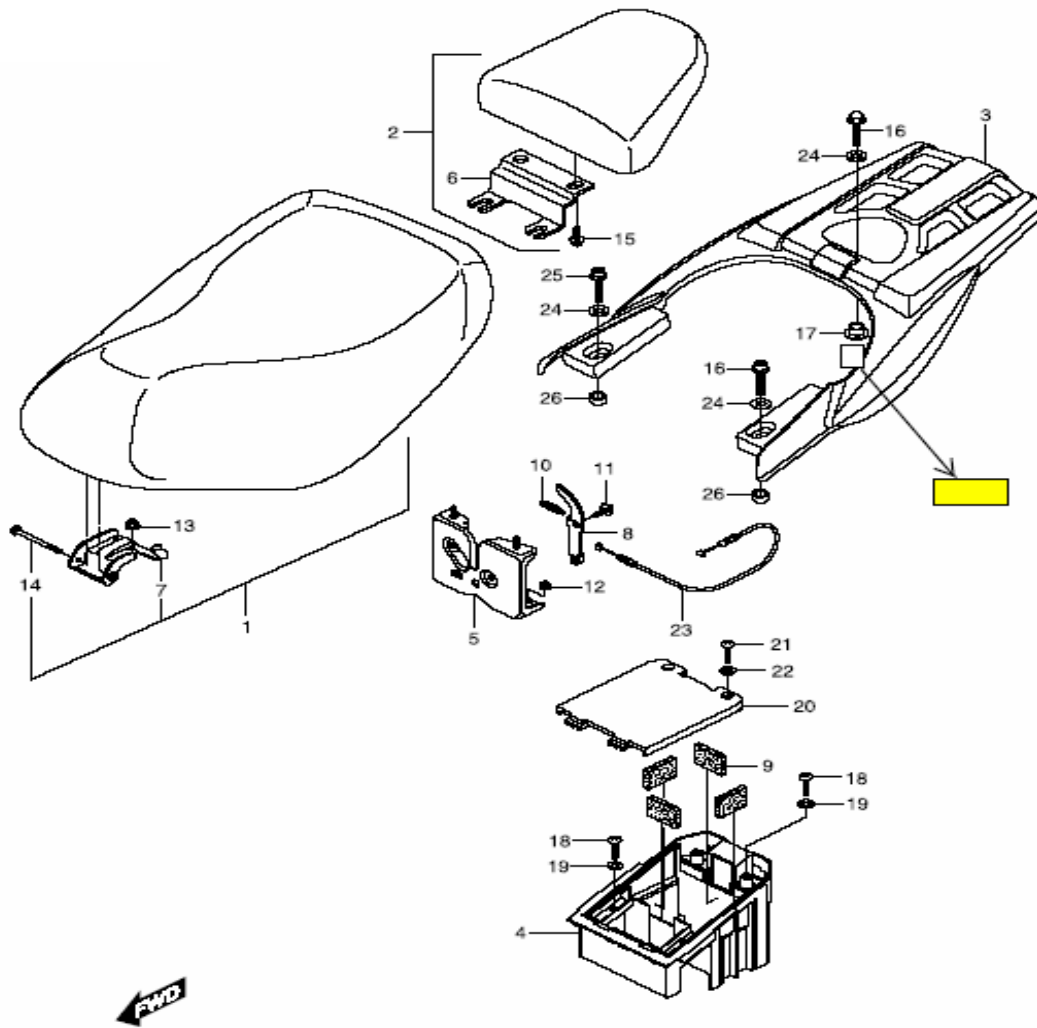
# F07-OIL TANK





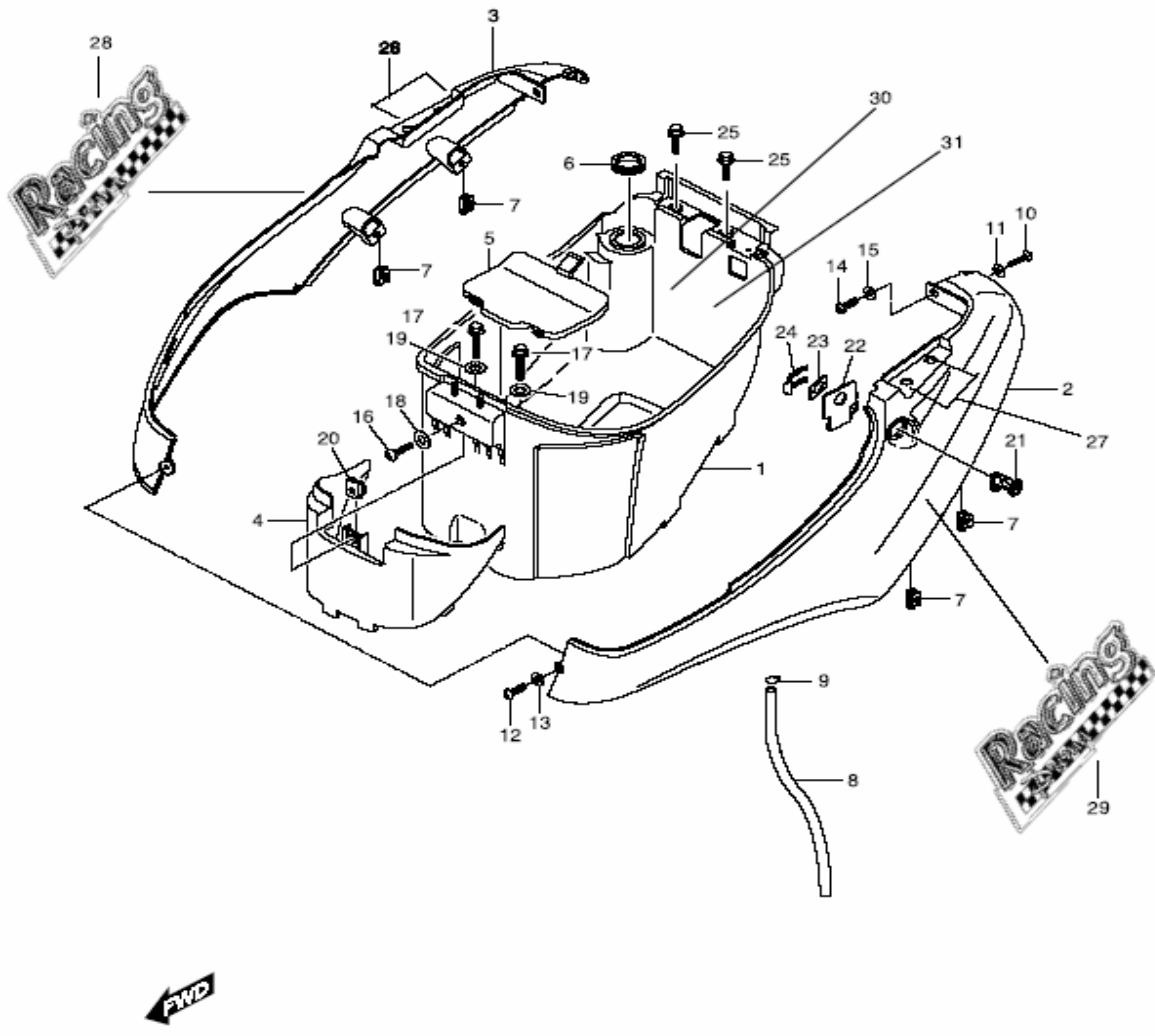
<b>F07</b>	<b>OIL TANK</b>		
<b>REF</b>	<b>PART NUMBER</b>	<b>DESCRIPTION</b>	<b>2006</b>
F07-1	44610HG2650	TANK SET, oil	1
F07-2	37880HG2600	SWITCH ASS'Y, oil level	1
F07-3	44668HG2600	GASKET, oil tank cap lower	1
F07-4	44651HG2600	CAP, oil tank filler	1
F07-5	44616HG2600	CUSHION, oil tank & helmet box(58X14X6t)	2
F07-6	41589HG5900	CUSHION, oil tank & battery(100X55X24t)	1
F07-7	44643-31000	GASKET, oil level switch	1

# F08-SEAT



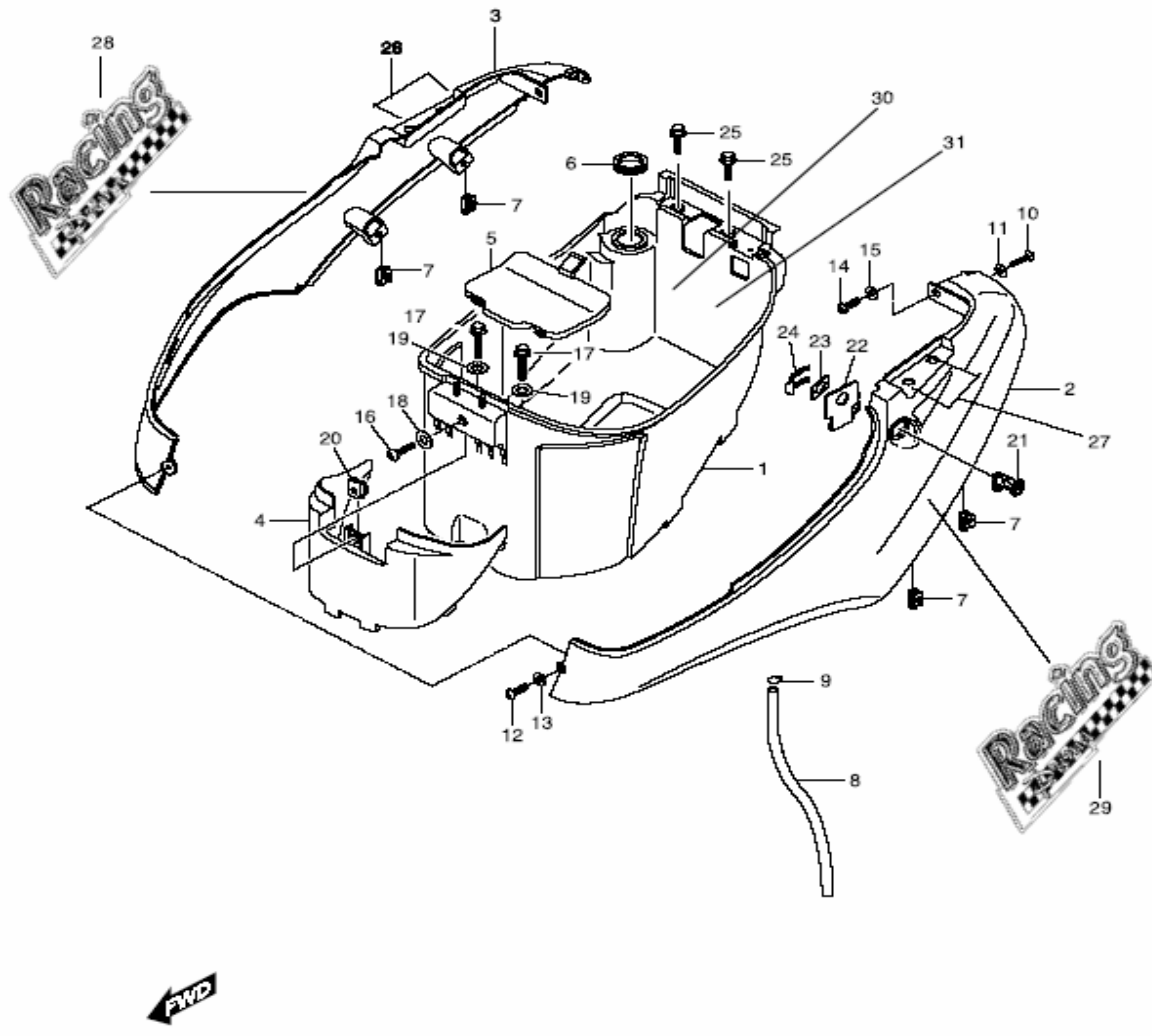
<b>F08</b>	<b>SEAT</b>		
<b>REF</b>	<b>PART NUMBER</b>	<b>DESCRIPTION</b>	<b>2006</b>
F08-1	45100HG2603	SEAT SET, front	1
F08-2	45200HG2603	SEAT SET, pillion	1
F08-3	46411HM360603P	CARRIER, rear	1
F08-4	92311HG260226B	BOX, helmet rear	1
F08-5	45220HG2601	LOCK, seat striker	1
F08-6	45293HG2600	BRACKET, pillion seat	1
F08-7	45285HE7100	BRACKET, seat support front	1
F08-8	45551HG2601	PLATE, seat striker lock No.3	1
F08-9	44218HF4500	CUSHION, helmet box(50X35X6t)	4
F08-10	09443H06006	SPRING, seat striker lock No.3 & frame	1
F08-11	09111-06019	BOLT, seat striker & frame(M6X14.6)	1
F08-12	08316-26066	NUT, seat striker lock(M6)	2
F08-13	08316-26066	NUT, seat support front(M6)	2
F08-14	45215HE7100	BOLT(M6X65)	1
F08-15	01517-06168	BOLT(M6X16)	2
F08-16	01517-08358	BOLT, rear carrier(M8X35)	2
F08-17	09180H081F5	SPACER, rear carrier	1
F08-17-1	09180H08129	W/S, Rear carrier rear	1
F08-18	02142-06165	SCREW, helmet box & frame(M6X16)	4
F08-19	09169-06034	WASHER, helmet box & frame	4
F08-20	92331HG260026B	COVER, battery	1
F08-21	02142-06125	SCREW, battery cov & helmet box(M6X12)	2
F08-22	09169-05009	WASHER, battery cov & helmet box	2
F08-23	45280HG2602	CABLE ASS'Y, seat lock	1
F08-24	08322-21088	WASHER, rear carrier rear	3
F08-25	09103H08254	BOLT, rear carrier rear(L=40)	1
F08-26	09180H081F5	SPACER, rear carrier	2

# F09-SIDE COVER



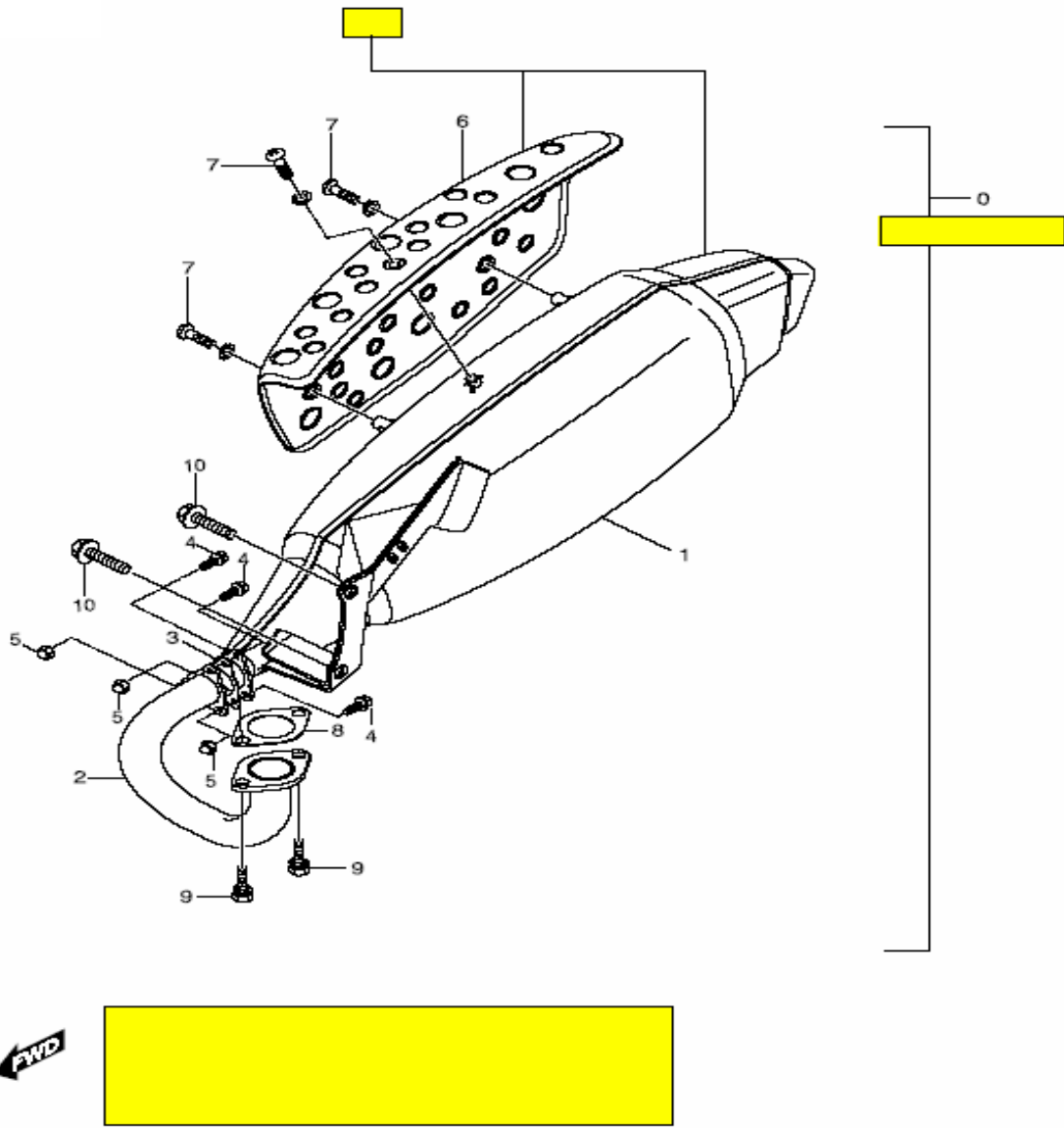
<b>F09</b>	<b>SIDE COVER</b>		
<b>REF</b>	<b>PART NUMBER</b>	<b>DESCRIPTION</b>	<b>2006</b>
F09-1	91311HG2604	BOX, helmet front	1
F09-2	47211HG2603RD	SIDE COVER, L(RED)	1
F09-2-1	47211HG2603BK	SIDE COVER, L(BLACK)	1
F09-3	47111HG2603RD	SIDE COVER, R(RED)	1
F09-3-1	47111HG2603BK	SIDE COVER, R(BLACK)	1
F09-4	47311HG260026B	COVER, side center	1
F09-5	92321HG260226B	COVER, helmet box inner	1
F09-6	44668HG2600	GASKET, oil tank cap lower	1
F09-7	09148-05020	NUT, side cover R/L(M5)	4
F09-8	09343-05052	HOSE, helmet box drain(8.2-5 L580)	1
F09-9	09401-08401	CLIP, helmet box drain hose	1
F09-10	02152-05225	SCREW, side cover & rear combi(M5X22)	1
F09-11	09169-05009	WASHER, side cover & rear combi	1
F09-12	02142-06203	SCREW, side cover & leg shield rear(M6X20)	1
F09-13	09169-06070	WASHER, side cover & leg shield rear	1
F09-14	02142-06255	SCREW, side cover rear ctr front(M6X25)	1
F09-15	09169H06077	WASHER, side cover rear ctr front	1
F09-16	01517-06205	BOLT, helmet box & side cover fr ctr(M6X20)	1
F09-17	01517-06168	BOLT, helmet box(M6X16)	2
F09-18	09169-06034	WASHER, helmet box & side cover fr ctr	1
F09-19	09160-06006	WASHER, helmet box front	2
F09-20	09148-06020	NUT, helmet box & side cover fr ctr(M6)	1
F09-21	45700HG2630	LOCK ASS'Y, seat	1
F09-22	45381HG2601	GUIDE, seat lock cable	1
F09-23	92413HF4501	WASHER, side cover L	1
F09-24	92414HF4500	LOCK, key set	1
F09-25	01517-06168	BOLT, helmet box(M6X16)	2

# F09-SIDE COVER



<b>F09</b>	<b>SIDE COVER</b>		
<b>REF</b>	<b>PART NUMBER</b>	<b>DESCRIPTION</b>	<b>2006</b>
F09-26	47510HG260003P	GRIP COMP, handle R	1
F09-27	47610HG260003P	GRIP COMP, handle L	1
F09-28	68134HG26500MQ	TAPE,SIDE COVER R(RACING)	1
F09-29	68136HG26500MQ	TAPE,SIDE COVER L(RACING)	1
F09-30	68332HE7200	LABEL CAUTION NO2	1
F09-31	68372HN3250	PLATE,I.D	1
F09-31		LABEL noise test	1
F09-32		TAPE, Side Cover (RUSH) (DB,MO,PR,S3)	2
F09-33	09160-06006	WASHER, helmet box front	1

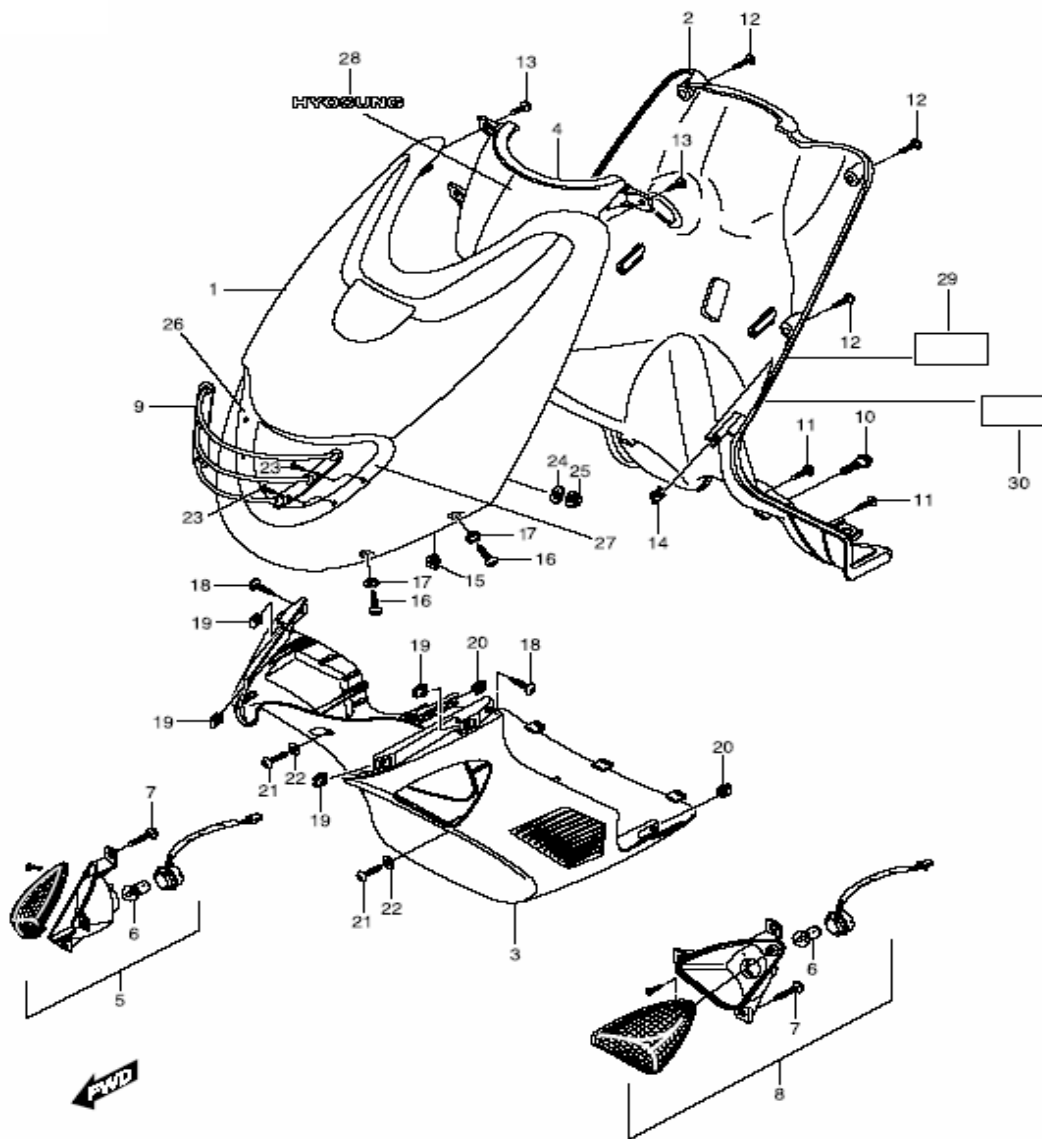
# F10-MUFFLER





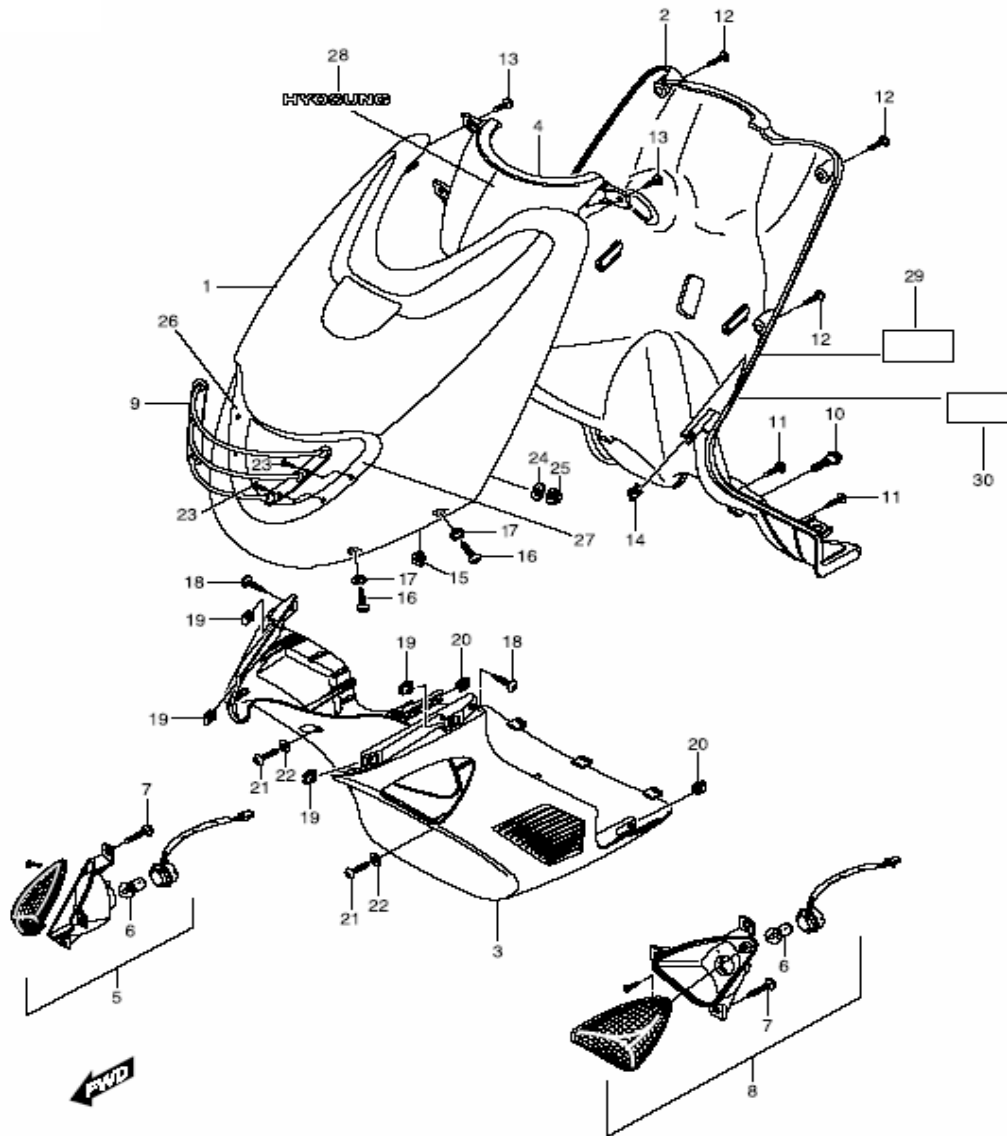
<b>F10</b>	<b>MUFFLER</b>		
<b>REF</b>	<b>PART NUMBER</b>	<b>DESCRIPTION</b>	<b>2006</b>
F10-0	14300HN3230PAH	MUFFLER ASS'Y	1
F10-0-1		MUFFLER ASS'Y	1
F10-1	14310HN3252PAM	BODY COMP, muffler	1
F10-2	14150HN3250PAM	PIPE, exhaust pipe	1
F10-3	14182HN3201	GASKET, exhaust connector flange	1
F10-4	01107-06168	BOLT, exhaust connector flange	2
F10-5	08313-11068	NUT, exhaust connector flange	2
F10-6	14781HG2601PLA	COVER COMP, muffler	1
F10-7	02112-36105	SCREW, muffler cover(M6×10)	3
F10-8	14181HG2600	GASKET, exhaust pipe	1
F10-9	01137-06258	BOLT, exhaust pipe(M6×25)	1
F10-9-1	09139H06021	SCREW,EX PIPE	2
F10-10	01177-08268	BOLT, support bracket(M8×26)	2
F10-11	18500HN3250	VALVE ASS'y, 2nd air	1
F10-12	18631HN3250	HOSE, 2nd air valve	2
F10-13	18610HN3251PAM	PIPE COMP, 2nd air	1
F10-14	02142-06203	SCREW	2
F10-15	02142-06165	SCREW	2

# F11-FRONT LEG SHIELD



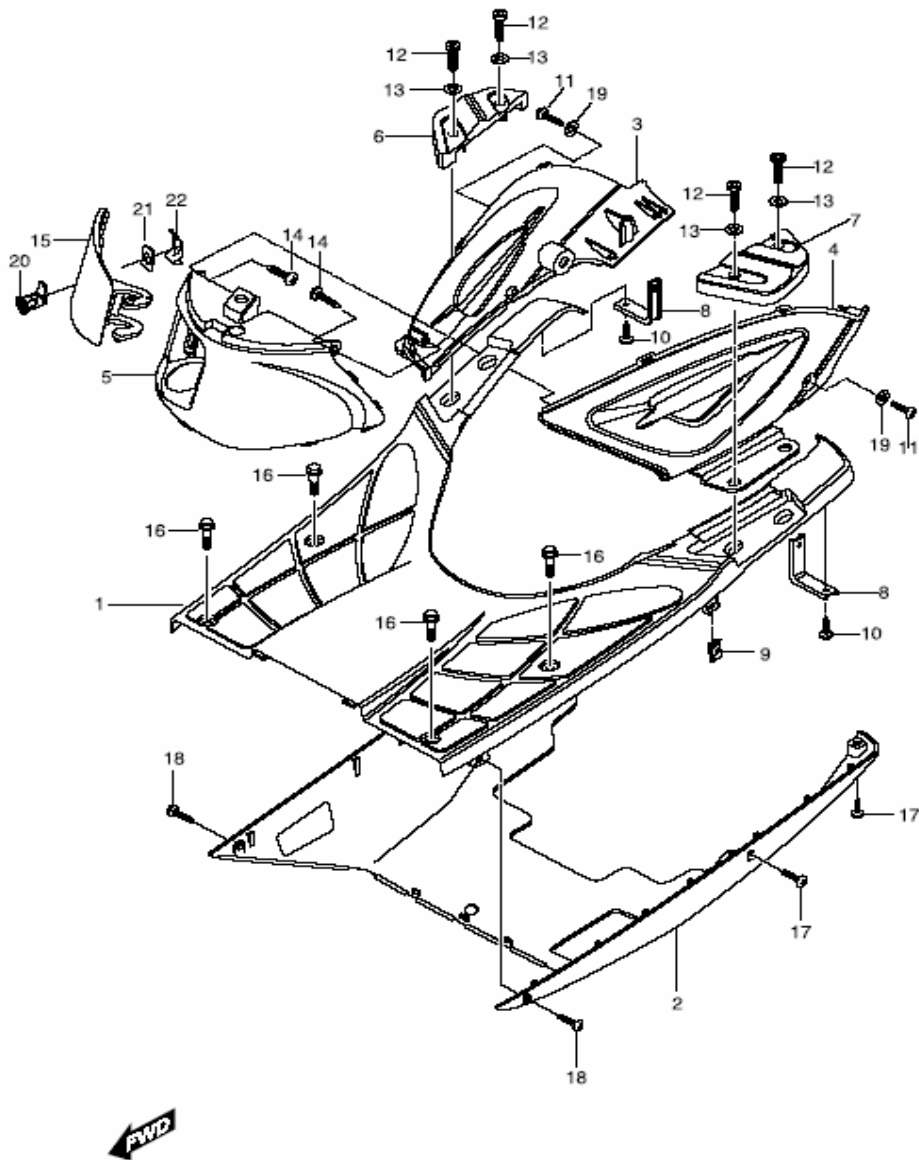
<b>F11</b>	<b>FRONT LEG SHIELD</b>		
<b>REF</b>	<b>PART NUMBER</b>	<b>DESCRIPTION</b>	<b>2006</b>
F11-1	48111HM3604RD	SHIELD, leg front,(RED)	1
F11-1-1	48111HM3604BK	SHIELD, leg front,(BLCK)	1
F11-2	92111HK270226B	COVER, leg shield	1
F11-3	48137HG2602RD	SHIELD, leg lower front (RED)	1
F11-3-1	48137HG2602BK	SHIELD, leg lower front (BLACK)	1
F11-4	48211HG260326B	SHIELD, leg front upper	1
F11-5	35601HG2651	LAMP ASS'Y, front turnsignal R	1
F11-6	09471-12045	BULB, front turnsignal (12V 10W)	2
F11-7	03241-05165	SCREW, front turnsignal lamp(M5X16)	6
F11-8	35602HG2651	LAMP ASS'Y, front turnsignal L	1
F11-9	48150HN3200	GRILL COMP, leg shield front	1
F11-10	09111H06E06	BOLT, leg shield cover & frame(M6X18.5)	2
F11-11	03241-05165	SCREW, leg shield cover & lower fr(M5X16)	4
F11-12	03241-05165	SCREW, leg shield cover & front(M5X16)	4
F11-13	03241-05165	SCREW, leg shield front upper & front(M5X16)	5
F11-14	09148-05020	NUT, leg shield lower fr & leg cover(M5)	2
F11-15	09148-06020	NUT, head lamp & leg shield front(M2)	2
F11-16	03241-05255	SCREW, leg shield front & low front((M5X25)	4
F11-17	08322-21055	WASHER, leg shield front & low front	4
F11-18	03241-05165	SCREW, leg shield low front & cov leg(M5X16)	2
F11-19	09148-05020	NUT, leg shield front & lower fr(M5)	4
F11-20	09148-06020	NUT, leg shield low rear & front(M6)	2
F11-21	02142-06165	SCREW, leg shield low front & frame(M5X16)	2
F11-22	09169-06034	WASHER, leg shield low front & frame	2
F11-23	02142-05165	SCREW, leg shield front brkt	4
F11-24	08322-21056	WASHER, leg shield front brkt	4
F11-25	08316-26055	NUT, leg shield front & brkt	4

# F11-FRONT LEG SHIELD



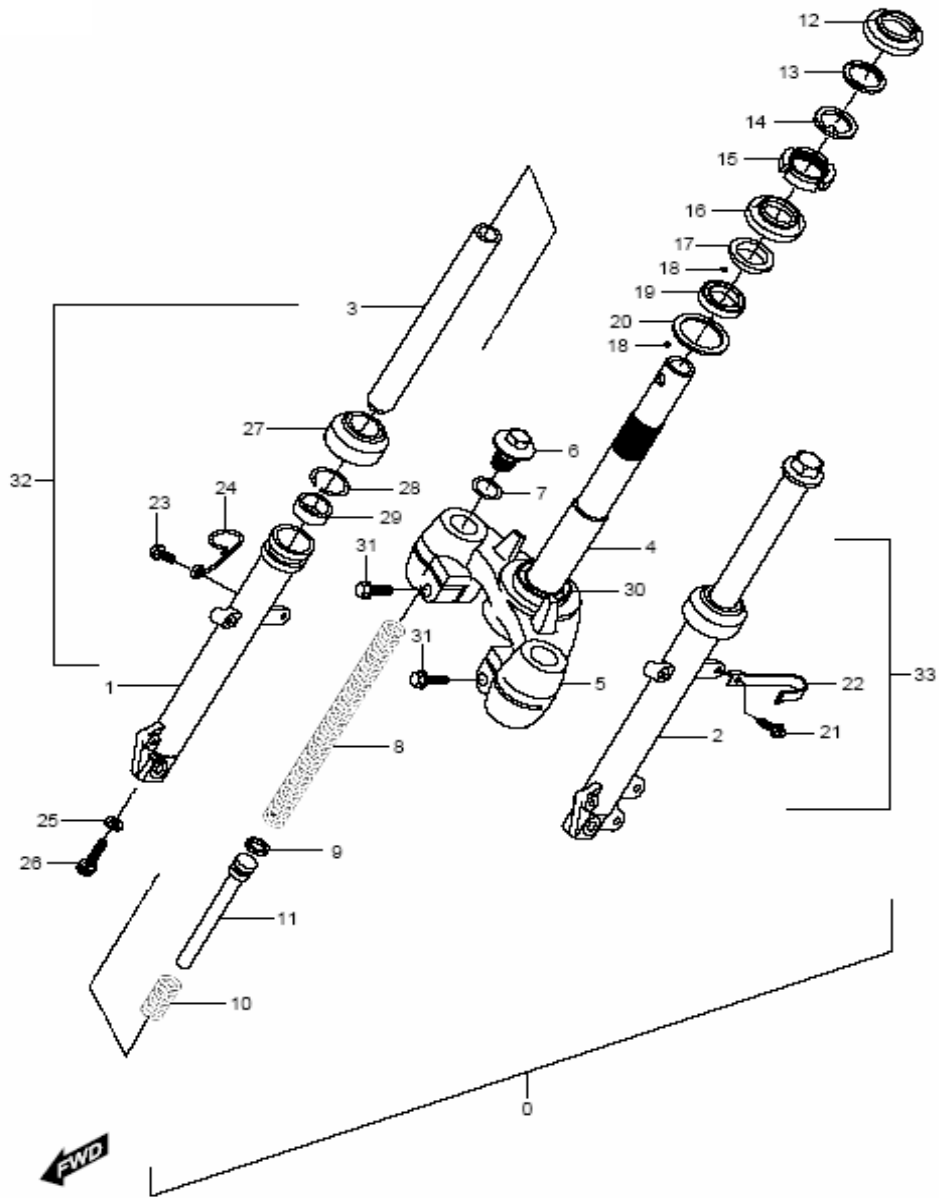
<b>F11</b>	<b>FRONT LEG SHIELD</b>		
<b>REF</b>	<b>PART NUMBER</b>	<b>DESCRIPTION</b>	<b>2006</b>
F11-26	68410HN325010R	TAPE,LEG SHIELD R	1
F11-27	68412HN325010R	TAPE LEG SHIELD L	1
F11-28	68210HK27100MN	EMBLEM, leg shield front	1
F11-29	68360HG5100PL	LABEL,SIDE STAND	1
F11-30	68319HG2650	LABEL,CAUTION NO1	1
F11-31		TAPE, L/SHIELD FT	1

# F12-REAR LEG SHIELD



<b>F12</b>	<b>REAR LEG SHIELD</b>		
<b>REF</b>	<b>PART NUMBER</b>	<b>DESCRIPTION</b>	<b>2006</b>
F12-1	48121HK270226B	SHILED, leg rear	1
F12-2	48147HK2704RD	SHILED, leg lower rear (RED)	1
F12-2-1	48147HK2704BK	SHILED, leg lower rear (BLACK)	1
F12-3	47151HK270026B	COVER, side front R	1
F12-4	47251HK270026B	COVER, side front L	1
F12-5	47131HK270026B	SIDE FRONT, center	1
F12-6	43611HG2600	FOOTREST, pillion R	1
F12-7	43621HG2600	FOOTREST, pillion L	1
F12-8	47155HG2601	PLATE, side cov front & leg rear	2
F12-9	09148-05020	NUT, leg shield rr& leg rr(M5)	2
F12-10	03241-05125	SCREW, side cov fr plate & leg rr(M5X12)	2
F12-11	02142-06125	SCREW, side cover front & plate(M5X12)	2
F12-12	07110-06256	BOLT, pillion footrest(M6X25)	4
F12-13	08322-21068	WASHER, pillion footrest	4
F12-14	03241-05125	SCREW, side cov fr plate & leg rear(M5X12)	2
F12-15	47141HK270126B	COVER, fuel tank	2
F12-16	09111H06E06	BOLT, leg shield rear & frame(M6X18.5)	4
F12-17	03241-05165	SCREW, leg shield low rr & leg rr(M5X16)	4
F12-18	02142-06255	SCREW, leg shield lower rear & front(M6X25)	2
F12-19	09169-06034	WASHER, side cover front & plate	2
F12-20	44200HF4500	LOCK ASS'Y, fuel tank	1
F12-21	92413HF4501	WASHER, fuel tank cover	1
F12-22	92414HF4500	LOCK, fuel tank key	1

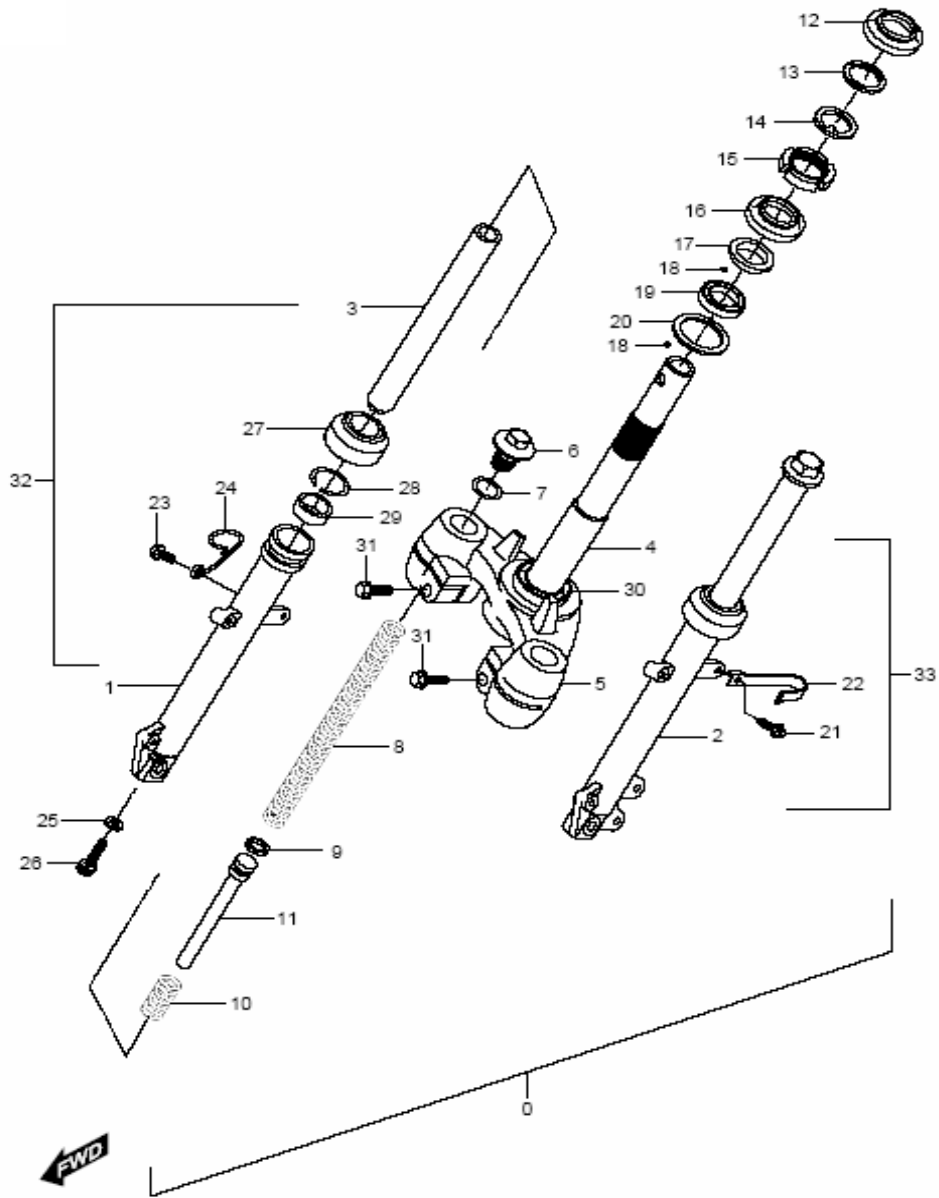
# F13-FRONT FORK





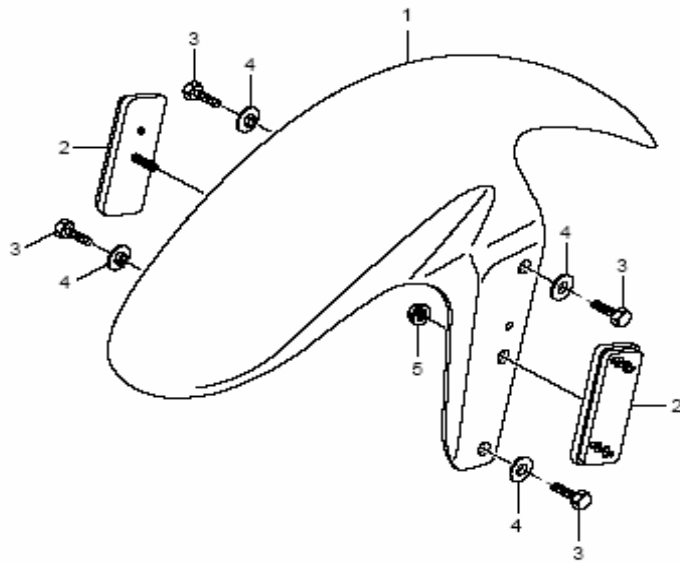
<b>F13</b>	<b>FRONT FORK</b>		
<b>REF</b>	<b>PART NUMBER</b>	<b>DESCRIPTION</b>	<b>2006</b>
F13-1	51210HK2700	BOTTOM CASE COMP,R	1
F13-2	51220HK2700	BOTTOM CASE COMP,L	1
F13-3	51111HG2600	FORK, pipe	2
F13-4	51400HG2601	STEM, front fork steering	1
F13-5	51400HG2601	UNDER BRACKET ASS'Y	1
F13-6	51351H11A00	FORK BOLT	2
F13-7	51181H11A00	O-RING, fork bolt	2
F13-8	51171HK2700	SPRING	2
F13-9	51196H11A00	PISTON RING	2
F13-10	51177H11A00	REBOUND SPRING	2
F13-11	51146H11A00	PIPE SEAT	2
F13-12	36618-02100	COVER, steering stem lock	1
F13-13	51632-02400	NUT, steering stem lock	1
F13-14	09166-26001	WASHER, steering stem lock	1
F13-15	51631-28000	NUT, steering stem	1
F13-16	51643-25001	DUST SEAL, steering upper	1
F13-17	51621-28000	RACE, steering outer upper	1
F13-18	06111-06004	BALL, steering stee	47
F13-19	51611-20002	RACE, steering inner upper	1
F13-20	51612-04000	RACE, steering inner lower	1
F13-21	01174-06168	BOLT, brake hose clamp	1
F13-22	59268HG2600	CLAMP, brake hose	1
F13-23	01174-06168	BOLT, speedometer cable guide	1
F13-24	51418H11A00	GUIDE, speedometer cable	1
F13-25	51148H11A00	PACKING	2

# F13-FRONT FORK



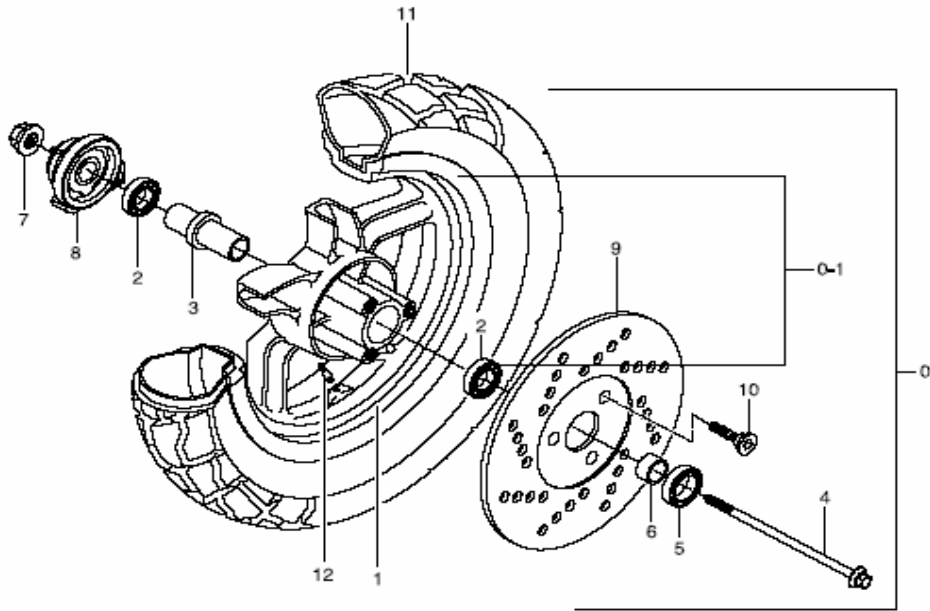
<b>F13</b>	<b>FRONT FORK</b>		
<b>REF</b>	<b>PART NUMBER</b>	<b>DESCRIPTION</b>	<b>2006</b>
F13-26	51147H11A00	SOCKET,bolt	2
F13-27	51173H11A00	DUST BOOT	2
F13-28	51156H11A00	STOPPER RING,oil seal	2
F13-29	51153H11A00	OIL SEAL,front fork	2
F13-30	51622-04000	RACE, steering outer lower	1
F13-31	07110-08258	BOLT, fork clip	2
F13-31-1	08321-31086	LOCK WASHER, fork	2
F13-32	51210HK2700	FRONT FORK COMP,R	1
F13-33	51220HK2700	FRONT FORK COMP,L	1

# F14-FRONT FENDER



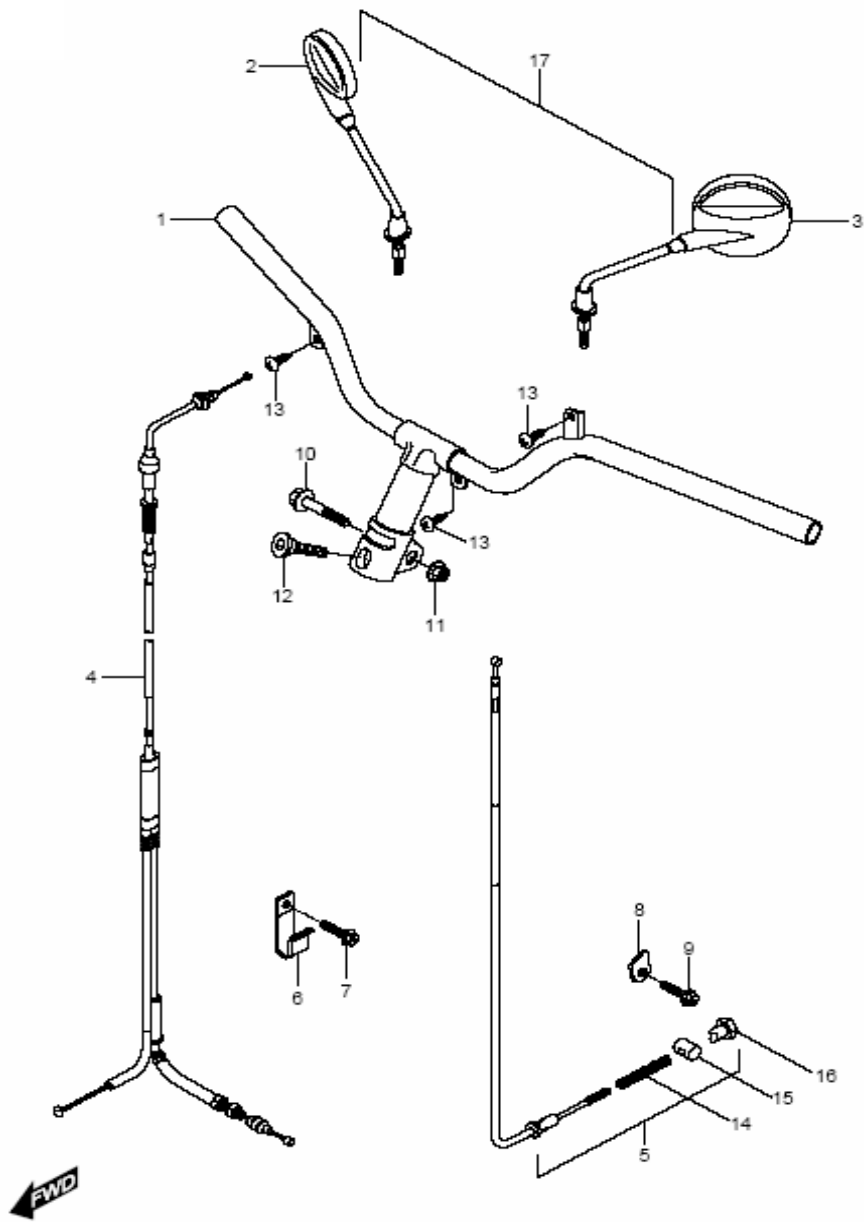
<b>F14</b>	<b>FRONT FENDER</b>		
<b>REF</b>	<b>PART NUMBER</b>	<b>DESCRIPTION</b>	<b>2006</b>
F14-1	53111HG2602RD	FRONT, fender (RED)	1
F14-1-1	53111HG2602BK	FRONT, fender (BLACK)	1
F14-2	35950HG2601	REFLEX REFLECTOR ASS'Y, side	2
F14-3	01104-06205	BOLT, front fender	4
F14-4	09169-06034	WASHER, front fender	4
F14-5	08316-26055	NUT, rear reflex reflector	2

# F15-FRONT WHEEL



<b>F15</b>	<b>FRONT WHEEL</b>		
<b>REF</b>	<b>PART NUMBER</b>	<b>DESCRIPTION</b>	<b>2006</b>
F15-0	54150SG2600HPA	WHEEL+TIRE SET, front	1
F15-0-1	54140HG2601HPA	WHEEL COMP, front	1
F15-1	54141HG2601	WHEEL COMP, front 2.75x10	1
F15-2	08123-62007	BEARING, front wheel(6200)	2
F15-3	54730HG2600	SPACER COMP, front wheel	1
F15-4	54711HE7100	AXLE, front	1
F15-5	09285-16002	DUST SEAL, front hub bearing L	1
F15-6	54741-29C00	SPACER, front axle L	1
F15-7	08319-31108	NUT, front axle(M10)	1
F15-8	54600HG2600	BOX ASS'Y, speedometer gear	1
F15-9	59211-29C10	DISC, front brake	1
F15-10	59421-03A01	BOLT, front brake disc(M8x20)	3
F15-11	55109HG2601	TIRE SET, front 120/90-10 47J	1
F15-12	55220-29C20	VALVE ASS'Y, wheel rim	1

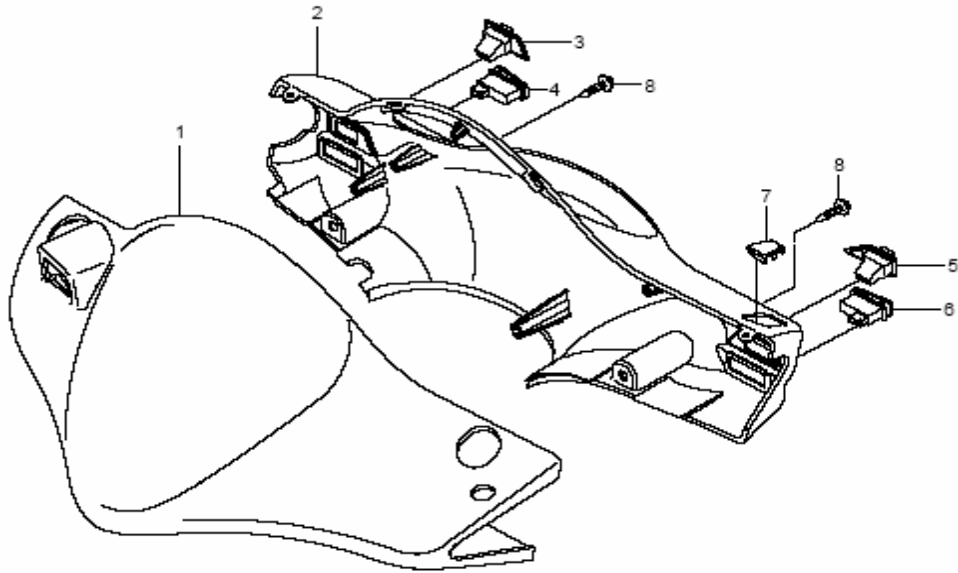
# F16-HANDLE BAR





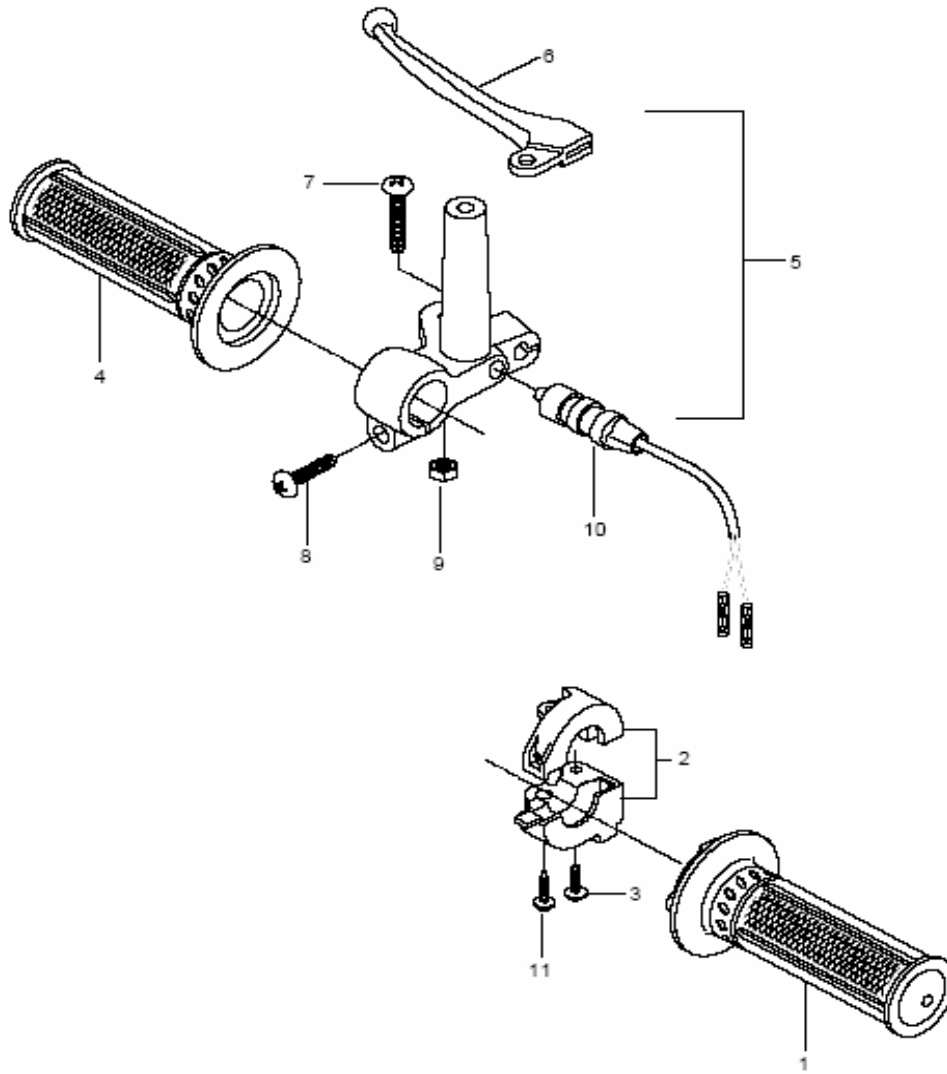
<b>F16</b>	<b>HANDLE BAR</b>		
<b>REF</b>	<b>PART NUMBER</b>	<b>DESCRIPTION</b>	<b>2006</b>
F16-1	56100HG2602	BAR COMP, handel	1
F16-2	56500HG2604	MIRROR ASS'Y, rear view R	1
F16-3	56600HG2604	MIRROR ASS'Y, rear view L	1
F16-4	58300HK2700	CABLE ASS'Y, throttle	1
F16-5	58510HK2701	CABLE COMP, rear brake	1
F16-6	09403-09301	GUIDE, rear brake cable	1
F16-7	01134-06128	BOLT, cable guide	1
F16-8	58591H11A00	PLATE, rear brake cable	1
F16-9	01134-06208	BOLT, rear brake cable plate	1
F16-10	09103-10055	BOLT, handlebar clamp	1
F16-11	08319-31108	NUT, handlebar clamp	1
F16-12	56123-29C00	BOLT, handlebar	1
F16-13	03241-05165	SCREW, handlebar & handle cover RR	3
F16-14	09440H06013	SPRING	1
F16-15	09209H11005	LEVER PIN	1
F16-16	09150-01501	ADJUST NUT, rear brake	1
F16-17	56501HG2604	MIRROR SET, rear view	1

# F17- HANDLE COVER



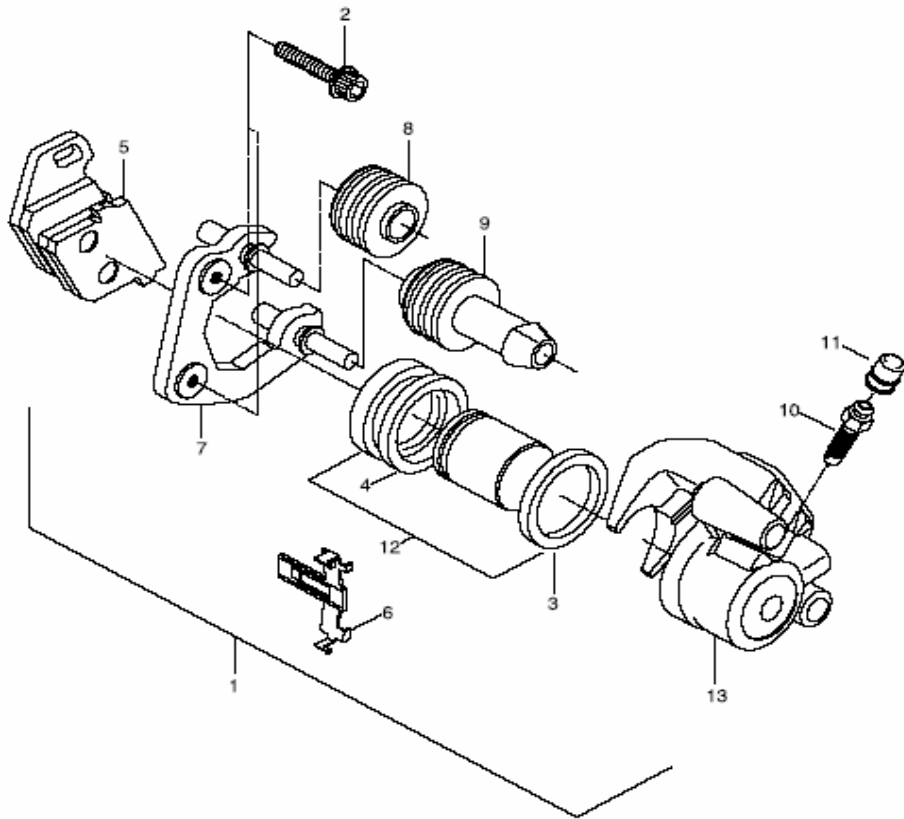
<b>F17</b>	<b>HANDLE COVER</b>		
<b>REF</b>	<b>PART NUMBER</b>	<b>DESCRIPTION</b>	<b>2006</b>
F17-1	56311HG2602RD	COVER, handle front (RED)	1
F17-1-1	56311HG2602BK	COVER, handle front (BLACK)	1
F17-2	56321HG2600RD	COVER, handle rear (RED)	1
F17-2-1	56321HG2600BK	COVER, handle rear (BLACK)	1
F17-3	37210HE6100	SWITCH ASS'Y, lighting	1
F17-4	37220HE6100	SWITCH ASS'Y, start	1
F17-5	37410HF4530	SWITCH ASS'Y, turn signal	1
F17-6	37420HE6100	SWITCH ASS'Y, horn	1
F17-7	37430HE6100	CAP, handle cover rear	1
F17-8	03241-05165	SCREW, handle cover rear & front	2

# F18-HANDLE SWITCH



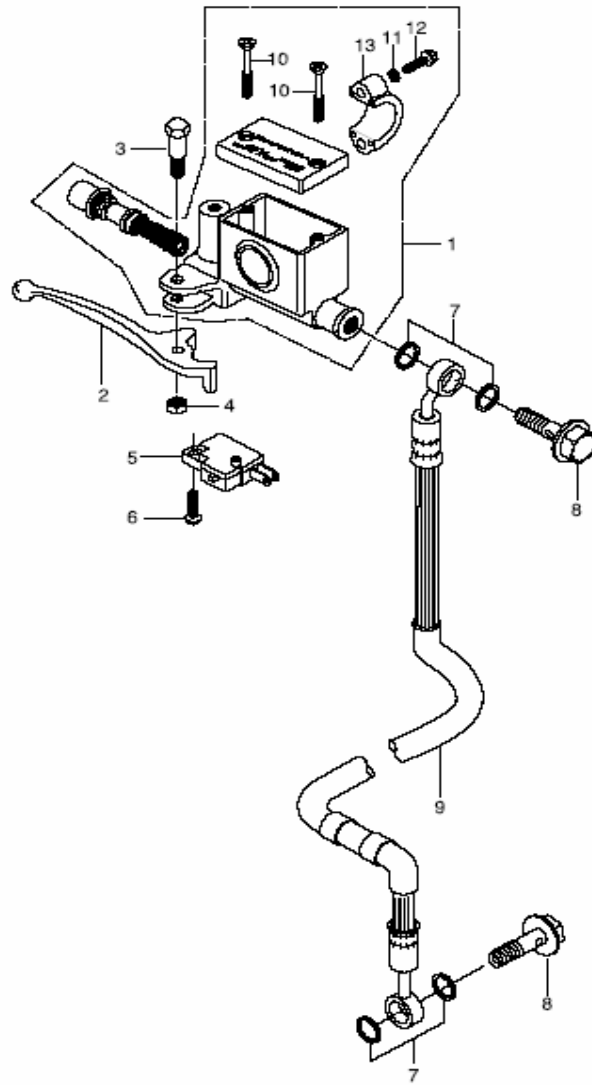
<b>F18</b>	<b>HANDLE SWITCH</b>		
<b>REF</b>	<b>PART NUMBER</b>	<b>DESCRIPTION</b>	<b>2006</b>
F18-1	57110HE7101	GRIP COMP, throttle	1
F18-2	57100-29C00	CASE ASS'Y, throttle case	1
F18-3	02112-05028	SCREW, throttle case	1
F18-4	57211HE7101	GRIP, L	1
F18-5	57500HG2602	BRAKE LEVER REAR & SWITCH	1
F18-6	57421HG2601	LEVER, rear break	1
F18-7	57431-13010	SCREW (M5×25)	1
F18-8	02112-06205	SCREW (M6×20)	1
F18-9	08319-21065	NUT (M5)	1
F18-10	57460-17C00	SWITCH, rear break stop	1
F18-11	09136-05040	SCREW, throttle case(M5×16)	1

# F19-CALIPER



<b>F19</b>	<b>CALIPER</b>		
<b>REF</b>	<b>PART NUMBER</b>	<b>DESCRIPTION</b>	<b>2006</b>
F19-1	59300-03A3090U	CALIPER ASS'Y	1
F19-2	07120-08208	BOLT, caliper(M8×20)	2
F19-3	59170-03A00	SEAL	1
F19-4	59308-03A00	BOOT	1
F19-5	59300-41D00	PAD SET	1
F19-6	59315-36500	SPRING	1
F19-7	59313-36A00	CARRIER, L	1
F19-8	59312-36500	BOOT	1
F19-9	59313-36500	INSULATOR	1
F19-10	59121-18410	BLEEDER	1
F19-11	59122H18420	CAP	1
F19-12	59300-03810	PISTON SET	1
F19-13	59360-03A31	HOUSING, caliper	1

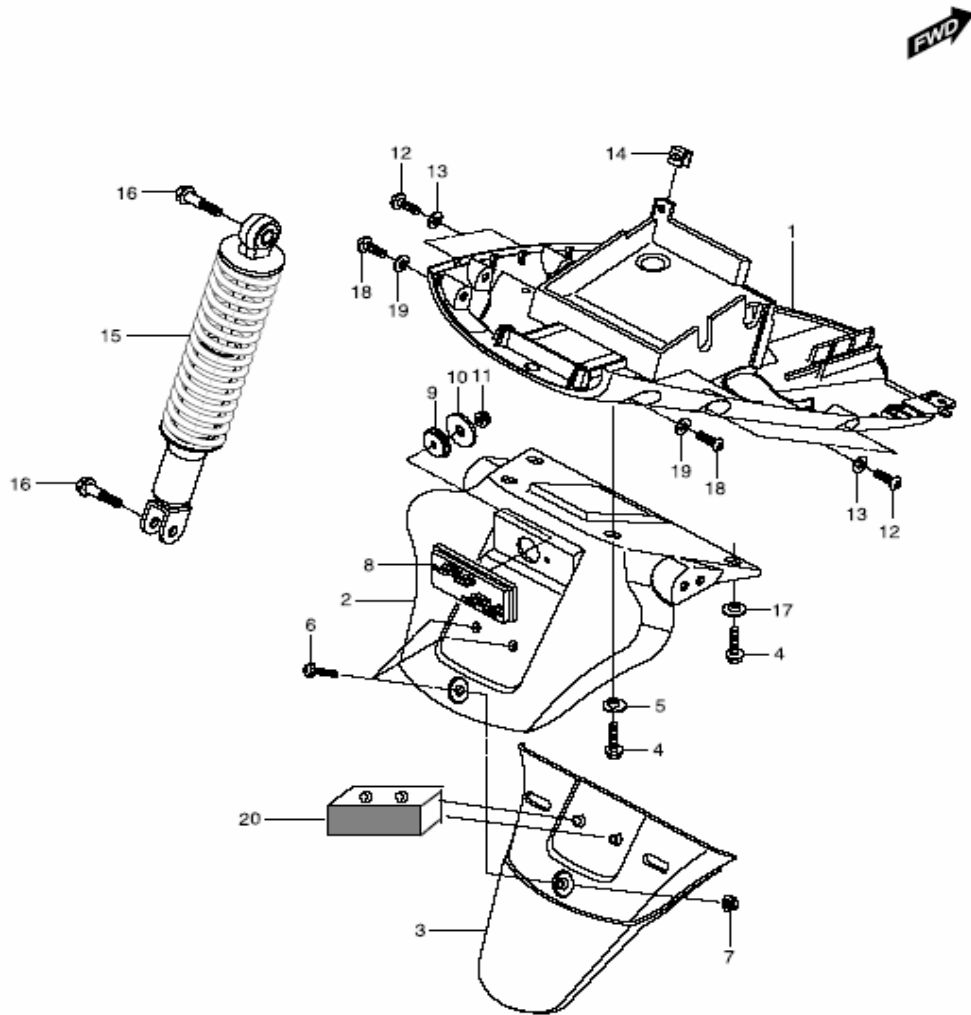
# F20-MASTER CYLINDER





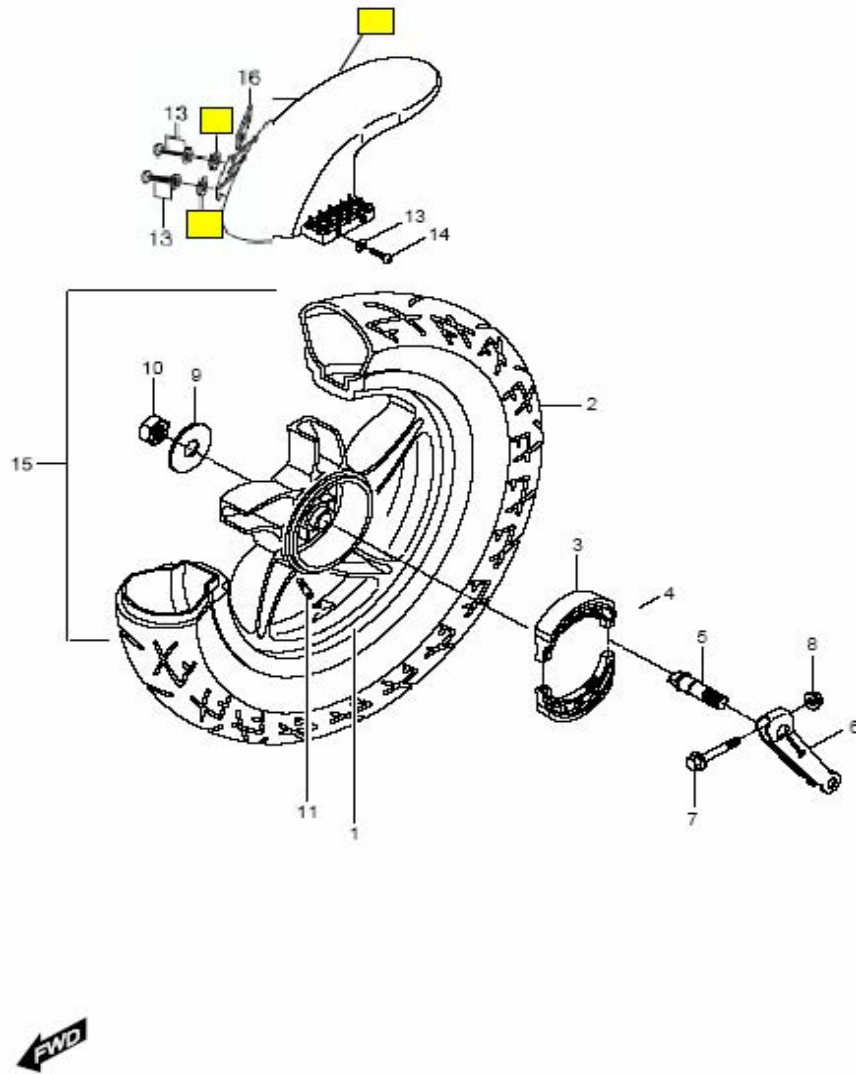
<b>F20</b>	<b>MASTER CYLINDER</b>		
<b>REF</b>	<b>PART NUMBER</b>	<b>DESCRIPTION</b>	<b>2006</b>
F20-1	59600HG2601	CYLINDER SET, front master	1
F20-2	68521HG2601	RIGHT LEVER, front brake	1
F20-3	57431-13010	SCREW, brake lever pivot	1
F20-4	08319-21065	NUT, brake lever pivot(M6)	1
F20-5	57460-17C00	SWITCH ASS'Y, stop	1
F20-6	02112-74108	SCREW, stop switch(M4×10)	1
F20-7	09161-10005	WASHER, brake fluid	4
F20-8	09360-10039	BOLT, brake fluid(M10×39)	2
F20-9	59480HG2602	HOSE COMP, front brake	1
F20-10	59691-35C00	SCREW	2
F20-11	08322-21064	WASHER	1
F20-12	09360-10039	BOLT	1
F20-13	59671-35C00	HOLDER	1

# F21-REAR FENDER



<b>F21</b>	<b>REAR FENDER</b>		
<b>REF</b>	<b>PART NUMBER</b>	<b>DESCRIPTION</b>	<b>2006</b>
F21-1	47161HG260726B	COVER, side lower	1
F21-2	63111HG260526B	REAR FENDER, rear upper	1
F21-3	63112HG260126B	REAR FENDER, rear lower	1
F21-4	01517-06165	BOLT, rr fen rr up & side cov lower(M6X16)	4
F21-5	09169H06077	WASHER, rr fen rr up & side cov lower	2
F21-6	09136-06017	SCREW, rear fen rear upper & lower(M6X16)	3
F21-7	08316-16068	NUT, rear fender rear upper & lower(M6)	3
F21-8	35970-24D63	REFLEX REFLECTOR ASS'Y, rear	1
F21-9	35971HF1600	CUSHION, reflex reflector	1
F21-10	09160-08002	WASHER, license lamp	1
F21-11	08316-26055	NUT, rear reflex reflector(M5)	1
F21-12	03241-05255	SCREW, side cover lower & side cover(M5X25)	4
F21-13	09169-05009	WASHER, side cover lower & side cover	4
F21-14	09148-05039	NUT, side cover lower(M5)	1
F21-15	62100HG2602	ABSORBER ASS'Y, rear shock	1
F21-16	09103-10019	BOLT, rear shock absorber(M10X40)	2
F21-17	09169-06034	WASHER, rr fender rr up & side cov lower	2
F21-18	02142-05305	SCREW, side cover lower & frame(M5X30)	2
F21-19	09169-05009	WASHER, side cover lower & frame	2
F21-20	35927HG2651	BKT,LICENSE PLT	1

# F22-REAR WHEEL



<b>F22</b>	<b>REAR WHEEL</b>		
<b>REF</b>	<b>PART NUMBER</b>	<b>DESCRIPTION</b>	<b>2006</b>
F22-1	64140HG2601	WHEEL COMP, rear 3.00x12	1
F22-2	65109HG2601	TIRE SET, rear 120/70-12 51J	1
F22-3	64400HG2600	SHOE COMP, brake	2
F22-4	09443H08025	SPRING, brake shoe	2
F22-5	64441H11201	CAM, rear brake	1
F22-6	64451-02111	LEVER, rear brake cam	1
F22-7	12812-30A00	BOLT, rear cam lever	1
F22-8	08316-16068	NUT, rear brake cam lever	1
F22-9	09160-16025	WASHER, rear axle	1
F22-10	08319-21168	NUT, rear axle	1
F22-11	55220-29C20	VALVE ASS'Y, wheel rim	1
F22-12	63115HG260626B	REAR FENDER, front	1
F22-13	09169-06034	WASHER, rear fender front	4
F22-14	02142-06165	SCREW, rear fender front	4
F22-15	64140SG2600HPA	WHEEL + TIRE SET, rear	1
F22-16		HEAT SHIELD RR FEN FT	1
F22-17		HEAT SHIELD RR FEN FT OUTER	2