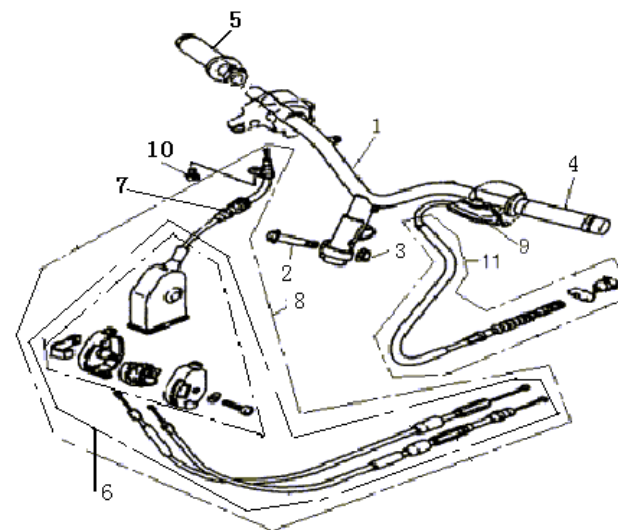


JCK (Q07-01) -QJ50T-21B(双灯)-1D

操纵

STEERING

序号	代码	物料编码		数量
NO.	CODE	material coding		QTY.
1	40100BMBT001	40100B920003	HANDLE COMP.	1
2	B01591004565	B01591004565	BOLT 10X1.25X45MM	1
3	B04171012565	B04171012565	U NUT 10X1.25MM	1
4	40001J4AT001	40001T090001	L. GRIP	1
5	40212J4AT001	40210T090000	GRIP ASSY.	1
6	40330BM0T000	40330B910000	CABLEASSY.THROTTLE 2	1
7	40306BM0T000	40306B910000	CABLE THROTTLE 1	1
8	40300BM0T001	40300B910000	CABLE ASSY. THROTTLE	1
9	40008BM0T000	40008B910000	JACKET,RR. BRAKE CABLE	1
10	B02000501025	B02000501025	PAN HEAD SCREW 5X10MM	1
11	40270BMBT000	40270B920000	BRAKE CABLE ASSY.	1

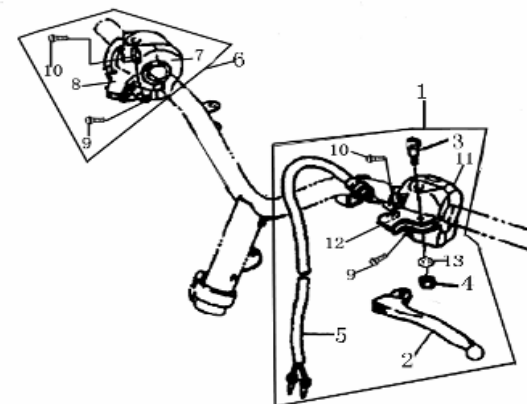


标记 处数 更改文件号 签字 日期

手柄、组合开关

LEVER/HANDLE SWITCH

序号	代码	物料编码		数量
NO.	CODE	material coding		QTY.
1	40500BM0T000	40500B910000	LEFT HANDLE SWITCH ASSY.	1
2	40002BM0T000	40002B910000	LEFT LEVER	1
3	40004BMAT000	40004B310000	LEVER MOUNTING SCREW	1
4	B04000500065	B04000500065	NUT 5MM	1
5	91700BMAT000	91700B310000	STOP SWITCH ASSY.	1
6	40600BM0T001	40600B910002	RIGHT HANDLE SWITCH ASSY.	1
7	40610BM0T001	40610B910001	RIGHT HANDLE SWITCH	1
8	40620BM0T000	40620B910000	R. SWITCH FIXING SEAT	1
9	B02000502025	B02000502025	PAN HEAD SCREW 5X20MM	2
10	B02000502525	B02000502525	PAN HEAD SCREW 5X25MM	2
11	40510BM0T000	40510B910000	LEFT HANDLE SWITCH	1
12	40520BM0T000	40520B910000	L. SWITCH FIXING SEAT	1
13	B07000000505	B07000000505	SPRING WASHER 5MM	1

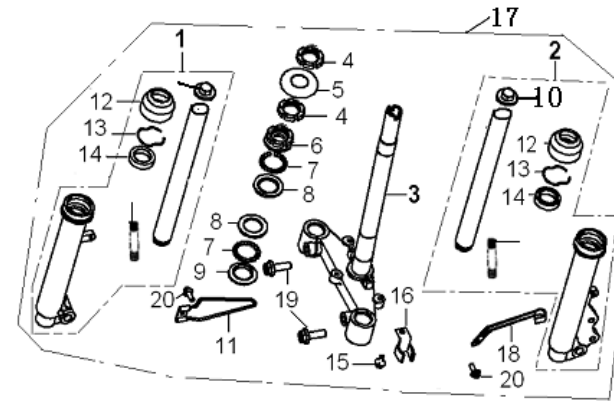


标记 处数 更改文件号 签字 日期

前叉总成

FRONT FORK ASSY.

序号	代码	物料编码		数量
NO.	CODE	material coding		QTY.
1	43300BMBT000	43300B920000	FR.R. FORK ASSY.	1
2	43200BMBT000	43200B920000	FR. L. FORK ASSY.	1
3	43100BMBT003	43100B920003	STEM, STEERING	1
4	43008BMBT000	43008B310000	NUT	2
5	43005BMBT001	43005B920001	BALL RACE COVER	1
6	43001BMBT002	43001B920002	BALL RACE, CONNECTING	1
7	B06010150000	B06010150000	STEEL BALL ϕ 5 (A SET OF 42)	42
8	43003BMBT000	43003B920000	BALL RACE	2
9	43004BMBT000	43004B920000	BALL RACE	1
10	43204BMBT001	43204B920001	CAP BOLT	2
11	43150BMBT000	43150B310000	CLIP, SPEEDOMETER CABLE	1
12	43290K00P000	43290K010000	DUST SEAL	2
13	43207K00P000	43207K010000	CLIP	2
14	43260K00P000	43260K010000	OIL SEAL	2
15	B01090601265	B01090601265	BOLT 6X12MM	1
16	43035BMBT000	45044B920000	HOLDER, BRAKE HOSE 2	1
17	43000BMBT001	43000B920001	FRONT FORK ASSY.	1
18	43021BMBT003	43021B920003	HOLDER, BRAKE HOSE 1	1
19	B01591003065	B01591003065	BOLT 10X1.25X30MM	2
20	B01070601665	B01070601665	BOLT 6X16MM	2

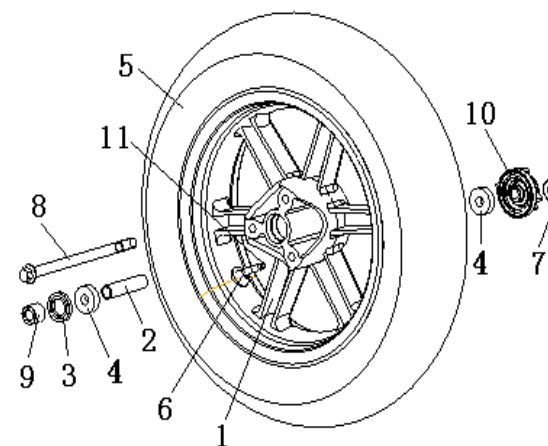


标记 处数 更改文件号 签字 日期

前轮总成

FRONT WHEEL ASSY.

序号	代码	物料编码		数量
NO.	CODE	material coding		QTY.
1	44100BM0TBHA	44101B91BH0A	RIM COMP.3.5X12 (BLACK)	1
2	44600BM0T910	44600B910010	DISTANCE COLLAR COMP.	1
3	44300BM0T000	44300B910000	OIL SEAL 22X35X7	1
4	B12016020100	B12016020100	BALL BEARING 6201-2RS	2
5	B140707D12DB	B140507D1212	TIRE 120/70-12 (DOT)	1
6	B1403Z201100	B1403Z201100	RIM VALVE	1
7	B04171212563	B04171212563	U NUT 12X1.25MM	1
8	44004G4CT000	44004G250000	FR. WHEEL AXLE	1
9	44005BM0T000	44005B910000	COLLAR	1
10	44200J5BT000	44200T41BH00	SPEEDOMETER GEAR COMP (BLACK/RH)	1
11	B1404Z2011C0	B1404Z2011C0	CAP, VALVE	1

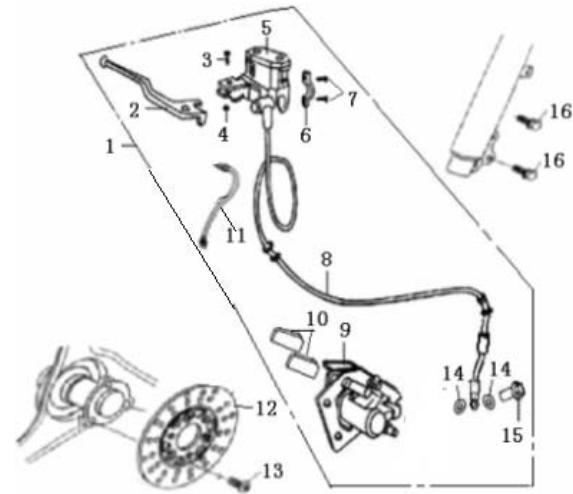


标记 处数 更改文件号 签字 日期

前液刹

FRONT DISK BRAKE

序号	代码	物料编码		数量
NO.	CODE	material coding		QTY.
1	45000J4FTB33	45900T100002	DISC BRAKE ASSY., FR.(UP AND DOWN BRACK)	1
2	45014BMBT000	45014B920000	LEVER (145MM (φ14MM))	1
3	45015J1CT000	45015J400000	LEVER MOUNTING SCREW	1
4	B04160600065	B04160600065	NUT 6MM	1
5	45400BMBTB30	45400B92B300	MASTER CYLINDER COMP (RACK)	1
6	45023J1DT000	45023T010000	MASTER CYLINDER BRACKET	1
7	B01070602365	B01070602365	BOLT 6X23MM	1
8	45200BMBT000	45200B920000	FR. BRAKE HOSE	1
9	45500J4FTB30	45500T10B300	CALIPER ASSY. (BLACK)	1
10	45110J4FT000	45110T100000	BRAKE PAD KIT ASSY (1 set / piece)	1
11	45300J3AT000	45300T030000	FRONT STOP SWITCH ASSY.	1
12	45033BMBT000	45033B920000	BRAKE DISC	1
13	45036BMAT000	45036B310000	BOLT	3
14	45653BMBT000	45653B920000	WASHER	2
15	45651BMBT000	45651B920000	FLANGE BOLT	1
16	45039J4FT000	45039T100000	BOLT 8X36MM	2

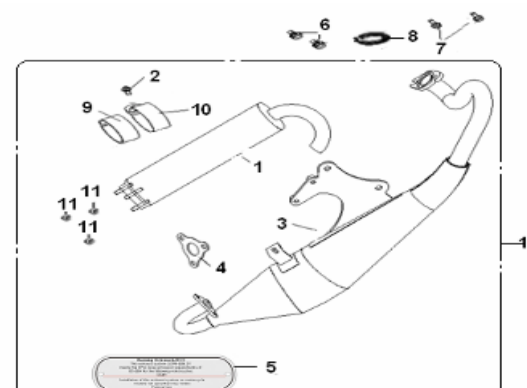


标记 处数 更改文件号 签字 日期

消音器

(45KM) MUFFLER

序号	代码	物料编码		数量
NO.	CODE	material coding		QTY.
1	48300BM0T000	48300B910000	MUFFLER ASSY.	1
2	B01070601665	B01070601665	BOLT 6X16MM	1
3	47100BM0T00D	47100B91000D	MUFFLER ASSY.COMP	1
4	47490BM0T000	47491B920000	CUSHION	1
5	05551BMBT001	05551B920001	nameplate, muffler	1
6	B01090802065	B01090802065	BOLT 8X20MM	2
7	B01090601665	B01090601665	BOLT 6X16MM	2
8	47800B0DT000	47800B070000	GASKET, EXHAUST PIPE	1
9	47833B2GT005	47833B140005	ADIABATIC RUBBER	1
10	48831B2GT005	48831B140005	MUFFLER HOOP	1
11	47006J0AP000	47006J010000	NUT 6MM	3
12	47000BM0T000D	47000B910000D	MUFFLER ASSY.COMP.	1

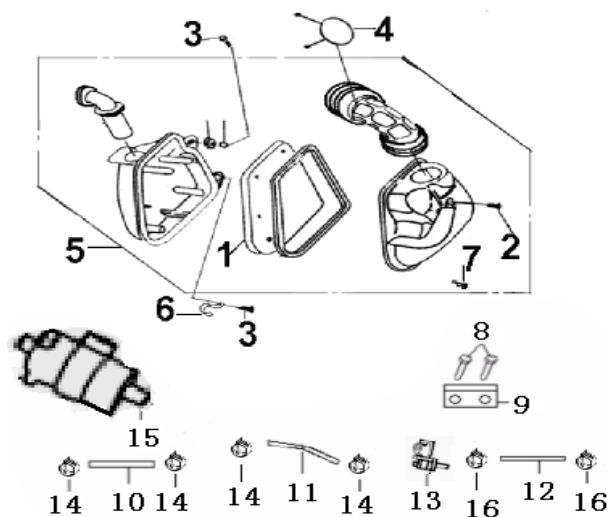


标记 处数 更改文件号 签字 日期

空滤器

AIR CLEANER

序号	代码	物料编码		数量
NO.	CODE	material coding		QTY.
1	49200BMBT000	49200B920000	FILTER	1
2	B05074202005	B05074202005	TAPPING SCREW 4.2X20MM	5
3	B01090602065	B01090602065	BOLT 6X20MM	2
4	49016BM0T000	49016B910000	CLIP 42.5	1
5	49000BMBT001	49100B040003	AIR CLEANER ASSY.	1
6	49371B0DT000	49371B070000	GUIDE, BRAKE CABLE	1
7	B05074201205	B05074201205	TAPPING SCREW 4.2X1.2MM	4
8	B01090601265	B01090601265	SCREW 6×12MM	2
9	57051B2GT000	57051B140000	PLATE,ONE WAY VALVE	1
10	49853BMMT000	49853B940000	HOSE II 210MM	1
11	49852BMMT000	49852B940000	HOSE I 250MM	1
12	49851BMMT002	49851B940002	HOSE 550MM	1
13	49840B0ES000	49840W110000	ONE WAY VALVE II	1
14	49805BMBT000	49805B920000	SPRING II,LOCK φ17.5	4
15	49870B2GT000	49870B140000	AIR CLEANER,SMALL	1
16	49855B0ES000	49855W110000	SPRING II,LOCK φ16.5	2

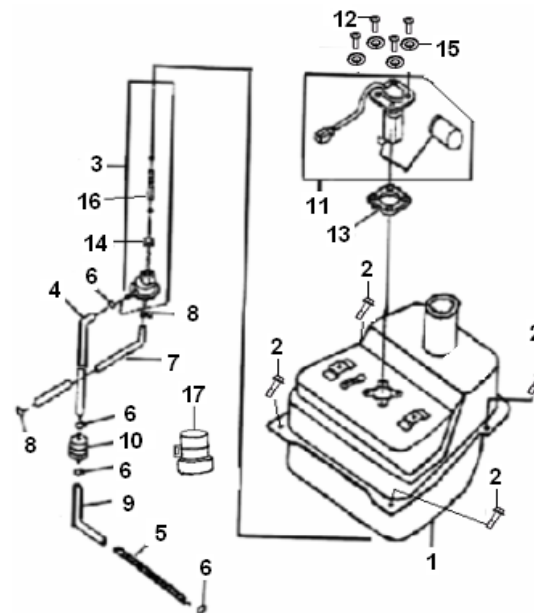


标记 处数 更改文件号 签字 日期

燃油箱

FUEL TANK

序号	代码	物料编码		数量
NO.	CODE	material coding		QTY.
1	50100BMBT001	50100B920002	FUEL TANK COMP.	1
2	B01090601665	B01090601665	BOLT 6X16MM	4
3	50300BM0T000	50300T030002	FUEL COCK ASSY.	1
4	50301BM0T000	50301B910000	FUEL HOSE 1 , $\phi 4.5 \times \phi 8.5 \times 80$	1
5	50316BMBT000	50316B920000	SPRING(BLACK)	1
6	50307BM0T000	50307B910000	CLIP $\phi 8$	4
7	50302BM0T000	50302B910000	VACUUM HOSE, $\phi 4 \times \phi 8 \times 360$	1
8	50306BM0T000	50306B910000	CLIP $\phi 7$	2
9	50303BM0T000	50303B910000	FUEL HOSE 2, $\phi 4.5 \times \phi 8.5 \times 250$	1
10	50340J0ET000	50340G120000	FUEL FILTER ASSY.	1
11	50800BMBT000	50800B920000	SENDER UNIT	1
12	50801BM0T000	50801B910000	BOLT 5X16MM	4
13	50004BMBT000	50004B920000	SENDER UNIT GASKET	1
14	50312J0ET000	50312T020000	SEAL RING	1
15	B07020000505	B07020000505	WASHER 5MM	4
16	50352BM0T000	50352B910000	FUEL FILTER	1
17	50391J0ET000	50391T020000	GASKET	1

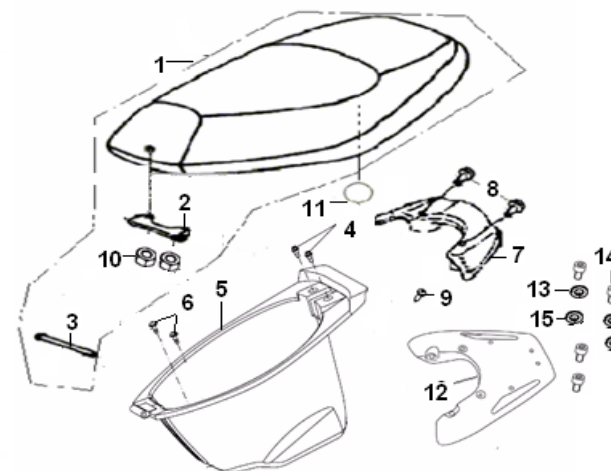


标记 处数 更改文件号 签字 日期

座垫

SEAT

序号	代码	物料编码		数量
NO.	CODE	material coding		QTY.
1	51100BMBT004	51100B920004	SEAT ASSY.	1
2	51080BMBT000	51080B920000	SEAT HINGE	1
3	51001BMBT000	51001B920000	BOLT, SEAT HINGE	1
4	08011H60X000	08011H010000	BOLT 6X14MM	2
5	51004BMBT002	51004B920002	LUGGAGE BOX	1
6	B01090601265	B01090601265	BOLT 6X12MM	2
7	52011BMBTY50	52011B92Y500	RR.. CARRIER COMP (YELLOW)	1
7	52011BMBTB10	52011B92B100	RR.. CARRIER COMP (BLACK)	1
8	B02050803565	B02050803565	SCREW 8X35MM	2
9	B05075001605	B05075001605	SCREW 5X16MM	1
10	B04070600063	B04070600063	NUT 6MM	2
11	08032BM0T000	08032B910000	O-RING 84.4X3.1MM	1
12	52011B33B102	52011B33B102	RR.. CARRIER COMP (BLACK B1)	1
12	52011B33Y502	52011B33Y502	RR.. CARRIER COMP (YELLOW Y5)	1
13	B07030000805	B07030000805	WASHER 8MM	2
14	B02050804565	B02050804565	SCREW 8X45MM	4
15	08027J4AT000	08027T090000	WASHER	2

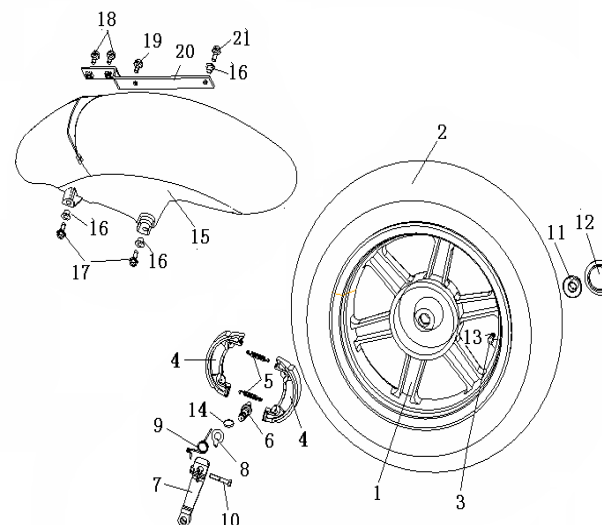


标记 处数 更改文件号 签字 日期

后轮

REAR WHEEL

序号	代码	物料编码	数量	
NO.	CODE	material coding	QTY.	
1	54100BM0TBHA	54100B91BH0A	RR. RIM COMP. 3.5X12" (BLACK)	1
2	B140708D12DB	B140508D1212	TIRE 130/70-12	1
3	B1403Z201100	B1403Z201100	RIM VALVE Z2-01-1	1
4	54200BMBT000	54200B920000	BRAKE SHOE KIT	2
5	54001BMBT000	54001B920000	SPRING(BLACK)	2
6	54003BM0T000	54003B910000	CAM SHAFT, 2	1
7	54007BM0T000	54007B910000	CAM SHAFT LEVER,	1
8	54002BM0T000	54002B910000	INDICATOR PLATE	1
9	54008BMBT000	54008B920000	TENSION SPRING	1
10	08012BM0T000	08012B910000	HEX. BOLT 6X30MM	1
11	B04171615063	B04171615063	U NUT 16X1.5MM	1
12	54027BM0T000	54027B910000	CAP	1
13	B1404Z2011C0	B1404Z2011C0	CAP, VALVE	1
14	B190101000A0	B190101000A0	O RING 10X1.9MM	1
15	65701BMBT000	65701B910002	REAR FENDER	1
16	65709BM0T000	65763B910000	BUSH , RR , FENDER	3
17	B01090602065	B01090602065	BOLT 6×20MM	2
18	B01090601265	B01090601265	BOLT 6×12MM	2
19	B01090601065	B01090601065	BOLT 6×10MM	1
20	65770BM0T000	65770B910000	RR , FENDER BRACKET , R	1
21	B01090601665	B01090601665	BOLT 6×16MM	1

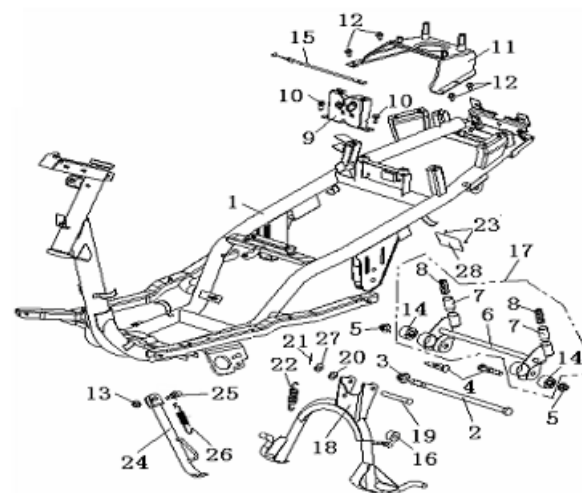


标记 处数 更改文件号 签字 日期

车架

FRAME BODY

序号	代码	物料编码		数量
NO.	CODE	material coding		QTY.
1	57100BMBT007	57100B920009	FRAME COMP.	1
2	58303BM0T001	58303B910001	E/G MOUNTING BOLT,	1
3	B04171212563	B04171212563	U NUT 12X1.25MM	1
4	58301BMBT000	58301B920000	E/G MOUNTING BOLT, 2	2
5	B04171012565	B04171012565	U NUT 10X1.25MM	2
6	58320BMBT000	58320B920000	E/G BRKT JOINING. COMP.	1
7	58302B0DT000	58302B070000	DAMPER	2
8	58304BMBT000	58304B920000	SPRING	2
9	58800BM0T000	88800B910001	SEAT CATCH COMP.	1
10	B01090602065	B01090602065	BOLT 6X20MM	2
11	57080BMBT000	57080B920000	CARRIER BRACKET	1
12	B01090601265	B01090601265	BOLT 6X12MM	4
13	B04070800064	B04070800064	U NUT 8MM	1
14	58350BMAT000	58350B310000	BUFFER, ENGINE BRACKET	2
15	58900BMBT000	58900B920000	SEAT CABLE	1
16	58507BM0T000	58507B910000	CUSHION, MID STAND	1
17	58360BMBT000	58360B920000	E/G BRKT COMP.	1
18	58520BM0T000	58520B910000	MAIN STAND COMP.	1
19	58590BM0T000	58590B910000	PIN(GOLD COLORED)	1
18	58520B920001	58520B920001	MAIN STAND COMP.	1
19	58501B450050	58501B450050	PIN	1
20	58508B0DT000	58508B070000	RUBBER WASHER 10MM	1

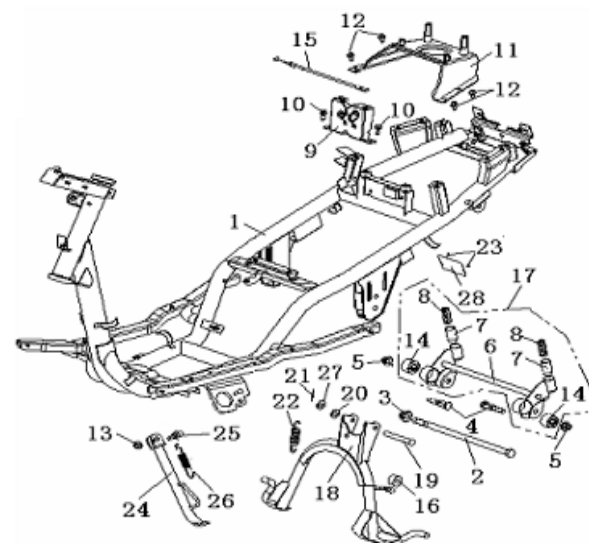


标记 处数 更改文件号 签字 日期

车架

FRAME BODY

序号	代码	物料编码		数量
NO.	CODE	material coding		QTY.
21	63016B0DT000	63016B070000	SPLIT PIN	1
22	58510BM0T000	58510B910000	MAIN STAND SPRING ASSY	1
23	B100432007P0	B100432007P0	RIVET3.2X7MM	2
24	58700BM0T000	58700B910000	SIDE STAND COMP.	1
25	57005B0DT000	57005B070000	BOLT, SIDE STAND MOUNTING	1
26	57010BM0T001	57010B910000	SIDE STAND SPRING ASSY	1
27	B07030001005	B07030001005	WASHER 10MM	1
28	57001BMBT016	57001B920016	FRAME BODY NO. PLATE	1

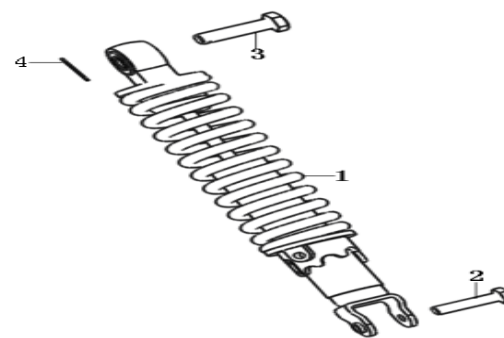


标记 处数 更改文件号 签字 日期

后减震

REAR ABSORBER

序号	代码	物料编码	数量
NO.	CODE	material coding	QTY.
1	63100BM0T000	63800B91CE00 RR. ABSORBER COMP. (SILVER)	1
2	63015J0ET000	63015T020000 FLANGE BOLT , 8X31MM	1
3	B01141004063	B01141004063 BOLT.W/HOLE 10X1.25X40MM	1
4	63016B0DT000	63016B070000 SPLIT PIN	1

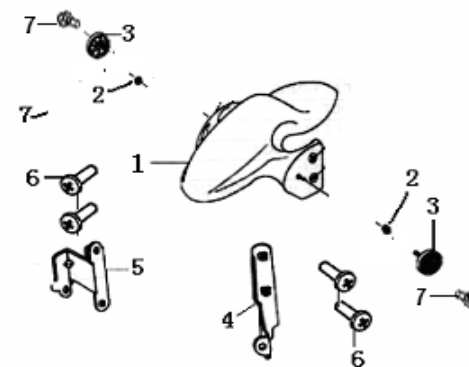


标记 处数 更改文件号 签字 日期

前挡泥板

FRON FRONT FENDER

序号	代码	物料编码		数量
NO.	CODE	material coding		QTY.
1	65101BMBTB10	65101B92B100	FRONT FENDER , (BLACK)	1
1	65101BMBTY50	65101B92Y500	FRONT FENDER , (YELLOW)	1
2	B04070600063	B04070600063	NUT 6MM	2
3	86300B0DT001	86300T180001	REFLECTOR,SIDE	2
4	65120B20T000	65120B030000	FRONT FENDER BRACKET, 1	1
5	65110B20T000	65110B030000		1
6	65114BMBT000	65114B920000	SCREW W/WASHER 6X16MM	4
7	B02060602064	B02060602064	SCREW 6×20mm	2

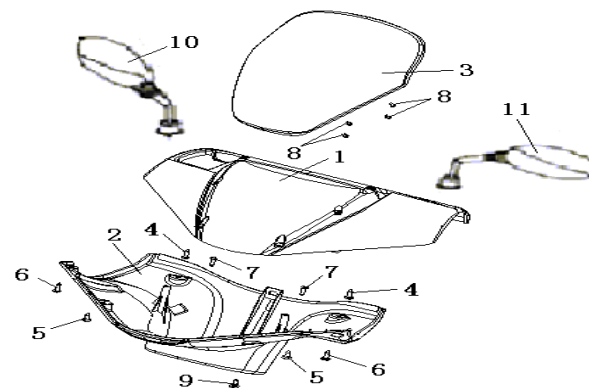


标记 处数 更改文件号 签字 日期

把手盖

HANDLE COVER

序号	代码	物料编码		数量
NO.	CODE	material coding		QTY.
1	65201BMBTB11	65201B92B102	HANDLE COVER, 1, (BLACK)	1
1	65201BMBTY51	65201B92Y502	HANDLE COVER, 1, (YELLOW)	1
2	65202BMBT000	65202B920000	HANDLE COVER, 2	1
3	65203BMBT000	65203B910000	METER VISION ASSY.	1
4	B05075001605	B05075001605	TAPPING SCREW 5X16MM	2
5	B05075001205	B05075001205	TAPPING SCREW 5X12MM	2
6	B05074001205	B05074001205	TAPPING SCREW 4X12MM	2
7	B05074001605	B05074001605	TAPPING SCREW 4X16MM	2
8	B05073001005	B05073001005	TAPPING SCREW 3X10MM	4
9	B13010501405	B13010501405	SCREW 5X14MM	1
10	40470BMBT000	40480B920002	REAR VIEW MIRROR ASSY., RE- MARK (BLACK)	1
11	40460BMBT000	40450B920002	REAR VIEW MIRROR ASSY., LE- MARK (BLACK)	1



标记 处数 更改文件号 签字 日期

前大罩(双灯)

FRONT COVER

序号	代码	物料编码		数量
NO.	CODE	material coding		QTY.
1	65301BMBTB1A	65301B92B10A	LEG SHIELD, (BLACK)	1
1	65301BMBTY5A	65301B92Y50A	LEG SHIELD, (YELLOW)	1
2	65314BMBT000	65314B920000	SCREW	1
3	08027J4AT000	08027T090000	PLASTIC WASHER	1
4	B05074201605	B05074201605	TAPPING SCREW 4.2X16MM	4
5	65367BMBT000	65367B920000	COVER , R	1
6	65366BMBT000	65366B920000	COVER , L	1
7	B05074001205	B05074001205	TAPPING SCREW 4X12MM	6
8	65801BMAT000	65801T020010	SPRING NUT 4MM	4

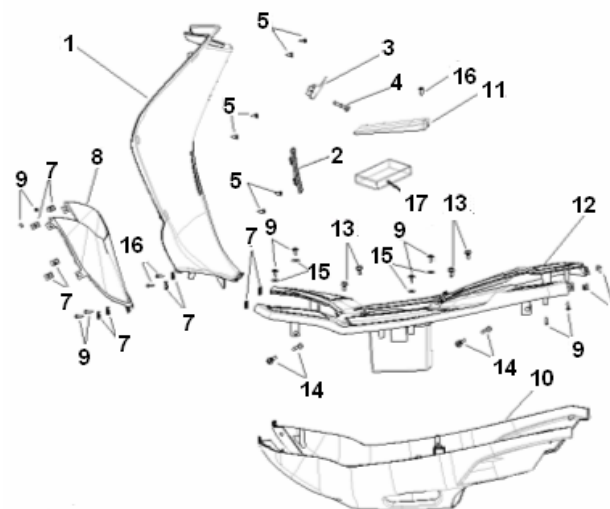


标记 处数 更改文件号 签字 日期

脚防护板

LEG SHIELD

序号	代码	物料编码		数量
NO.	CODE	material coding		QTY.
1	65402BMBT000	65402B920000	FRONT INSIDE BODY PANEL	1
2	65403BMBT000	65403B920000	VIN PLATE COVER	1
3	51011BMBT000	51011B920000	HOOK, HELMET	1
4	B01090603065	B01090603065	BOLT 6X30MM	1
5	B05074801605	B05074801605	SCREW 4.8X16MM	6
6	65802BMBT000	65802B910000	SPRING NUT 5MM	4
7	65801BMBT000	65801T020010	SPRING NUT 4MM	10
8	65407B920000	65407B920000	FRONT INNER FENDER COVER	1
9	B05074001605	B05074001605	SCREW 4X16MM	10
10	65406BMBTY50	65406B92Y500	FLOOR BODY (YELLOW)	1
10	65406BMBTB10	65406B92B100	FLOOR BODY (BLACK)	1
11	65813BMBT000	65813B920000	FLOOR COMPARTMENT COVER	1
12	65401BMBT000	65401B920000	FLOOR, BLACK	1
13	08011H60X001	08011H010000	BOLT 6X14MM	4
14	B01090601265	B01090601265	BOLT 6X12MM	4
15	B07030000505	B07030000505	WASHER 5MM	4
16	B05074001605	B05074001605	SCREW 4X16MM	3
17	65812BMBT000	65812B920001	BATTERY DAMPER II	1

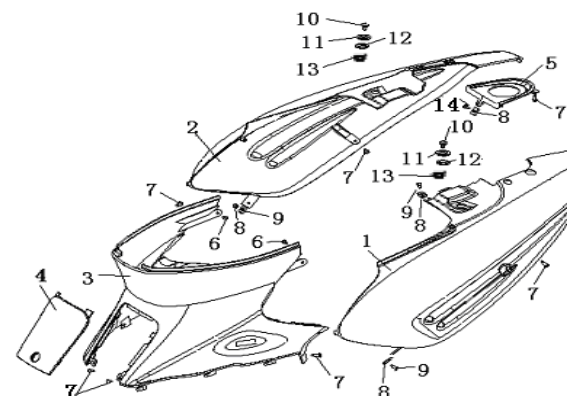


标记 处数 更改文件号 签字 日期

护板

SIDE COVER

序号	代码	物料编码		数量
NO.	CODE	material coding		QTY.
1	65601BMBTB10	65601B92B100	SIDE COVER,1 (BLACK)	1
1	65601BMBTY50	65601B92Y500	SIDE COVER,1 (YELLOW)	1
2	65602BMBTB10	65602B92B100	SIDE COVER, 2 (BLACK)	1
2	65602BMBTY50	65602B92Y500	SIDE COVER, 2(YELLOW)	1
3	65605BMBT000	65605B920000	SIDE COVER, 3	1
4	65619BMBT000	65619B920000	SIDE COVER, 4	1
5	65606BMBTB10	65606B92B100	SIDE COVER, 5 (BLACK)	1
5	65606BMBTY50	65606B92Y500	SIDE COVER, 5 (YELLOW)	1
6	B05074001205	B05074001205	TAPPING SCREW 4X12MM	2
7	B05074801605	B05074801605	TAPPING SCREW 4.8X16MM	7
8	65802BMAT000	65802B310000	SPRING NUT 4.8MM	4
9	B05075001205	B05075001205	TAPPING SCREW 5X12MM	4
10	B02000602025	B02000602025	SCREW 6X20MM	2
11	08021BMBT000	08021B920000	WASHER	2
12	65618J00P000	65618J000000	RUBBER WASHER	2
13	65709BMT000	65763B910000	BUSH, RR. FENDER	2
14	B05074801305	B05074801305	TAPPING SCREW 4.8X13MM	1

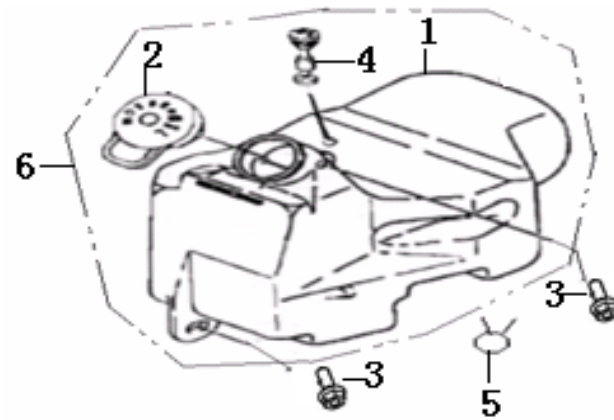


标记 处数 更改文件号 签字 日期

机油箱

OIL TANK.

序号	代码	物料编码		数量
NO.	CODE	material coding		QTY.
1	64001BMAT000	64001B310000	OIL TANK	1
2	64090BMAT000	64090B310000	OIL TANK CAP	1
3	B01090601665	B01090601665	BOLT 6X16MM	2
4	64100BMAT000	64100B310000	OIL LEVER GAUGE ASSY.	1
5	50307BM0T000	50307B910000	CLIP $\varphi 8$	1
6	64000BMAT000	64000B310000	OIL TANK ASSY.	1

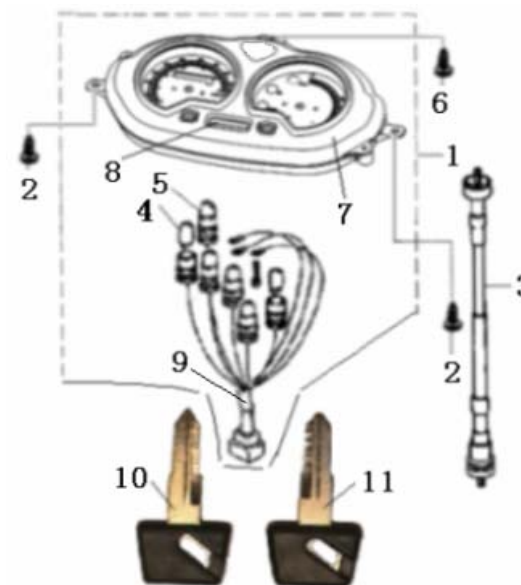


标记 处数 更改文件号 签字 日期

仪表总成

SPEEDOMETER ASSY.

序号	代码	物料编码		数量
NO.	CODE	material coding		QTY.
1	70000B920030	70000B920030	SPEEDOMETER COMP.	1
2	B05074001205	B05074001205	SCREW 4X12MM	2
3	72900BMBT000	72900B910000	SPEEDOMETER CABLE COMP.	1
4	70001BMBT000	70001B920000	BULB 12V-3W	2
5	70036BMBT000	70036B920000	BULB 12V-2W	4
6	B05074001205	B05074001205	TAPPING SCREW 4X12 MM	1
7	70003BMBT001	70003B920001	SPEEDOMETER COVER	1
8	76000BMBT002	76000B920002	DIGITAL WATCH	1
9	75000BMBT004	75000B920004	SPEEDOMETER WIRE ASSY	1
10	88900BM0T00X	88900B91000	KEY NUT LEFT	1
11	88900BMBT00X	88900B92000	KEY NUT RIGHT	1

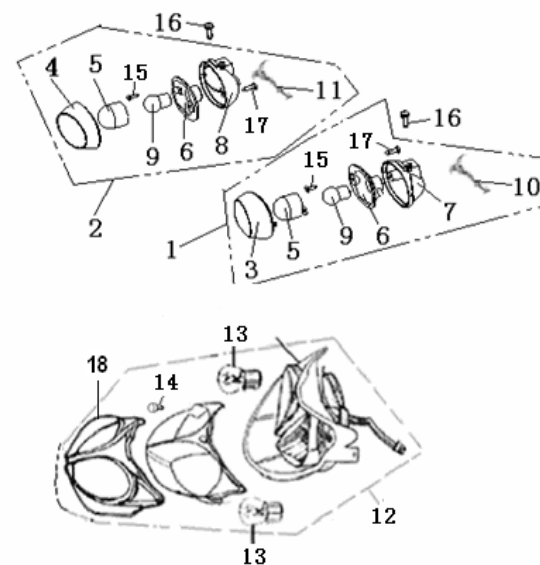


标记 处数 更改文件号 签字 日期

转向灯/前大灯

FLASHER LIGHT/HEAD LIGHT.

序号	代码	物料编码		数量
NO.	CODE	material coding		QTY.
1	81100B50T003	81100B130003	FLASHER LIGHT ASSY., 1	1
2	81300B50T003	81300B130003	FLASHER LIGHT ASSY., 2	1
3	81102BMBT001	81102B920001	LIGHT COVER, L.	1
4	81302BMBT001	81302B920001	LIGHT COVER, R.	1
5	81107BMBT000	81107B920000	INNER COVER	2
6	81105BMBT001	81105B920001	BOWL, REFLEX LIGHT	2
7	81101BMBT001	81101B920001	F. L. BULB BASE	1
8	81301BMBT001	81301B920001	F. R BULB BASE	1
9	B24012120000	B24012120000	BULB, 12V/10W	2
10	81110BMBT000	81110B920000	WIRE ASSY. , F.L. FLASHER	1
11	81310BMBT000	81310B920000	WIRE ASSY. , F.R. FLASHER	1
12	80000J4AT001	80000T090010	HEAD LAMP ASSY.	1
13	B24010620000	B24010620000	BULB , HEAD LAMP	2
14	B24012920000	B24012920000	BULB 12V-3W	2
15	B05003501303	B05003501303	SCREW 3.5X13MM	2
16	08005AE0D000		SCREW W/WASHER 5X11.5MM	2
17	B05004201603	B05004201603	SCREW 4.2X16MM	2
18	80002J4AT000	80002T090000	COVER FRONT HEAD LAMP	1

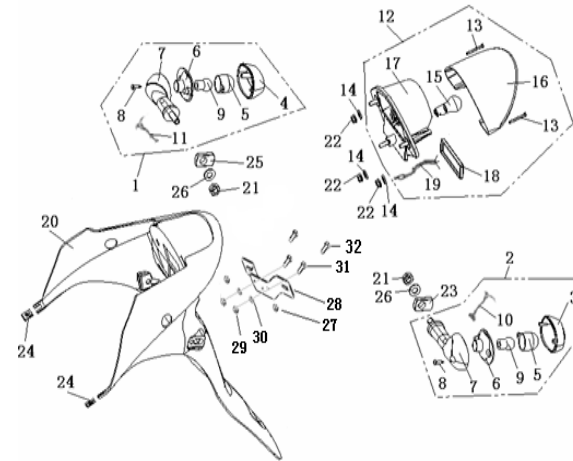


标记 处数 更改文件号 签字 日期

尾灯

TAIL LIGHT

序号	代码	物料编码		数量
NO.	CODE	material coding		QTY.
1	81700BMBT002	81700B920002	FLASHER LIGHT ASSY., 2	1
2	81500BMBT002	81500B920002	FLASHER LIGHT ASSY., 1	1
3	81102BMBT001	81102B920001	LIGHT COVER, L.	1
4	81302BMBT001	81302B920001	LIGHT COVER, R.	1
5	81107BM0T000	81107B910000	INNER COVER	2
6	81105BM0T001	81105B910001	BOWL, REFLEX LIGHT	2
7	81502BM0T001	81502B910001	BULB BASE	2
8	B05004001203	B05004001203	SCREW 4X12MM	2
9	B24012120000	B24012120000	BULB, 12V/10W	2
10	81510BM0T000	81510B910000	WIRE ASSY. , F. L. FLASHER	1
11	81710BM0T000	81710B910000	WIRE ASSY. , F. R. FLASHER	1
12	82000BM0T002	82000B920000	TAIL LIGHT ASSY. (DOT)	1
13	B05074002005	B05074002005	SCREW 4X20MM	2
14	82011G00P000	82011G00P000	RUBBER WASHER	3
15	B24013820000	B24013820000	BULB 12V 21/5W	1
16	82008BM0T001	82008B910001	INDICATOR LENS	1
17	82003BM0T000	82003B910000	TAIL LIGHT BASE	1
18	86502BM0T001	86502B910001	RR . REFLECTOR (DOT)	1

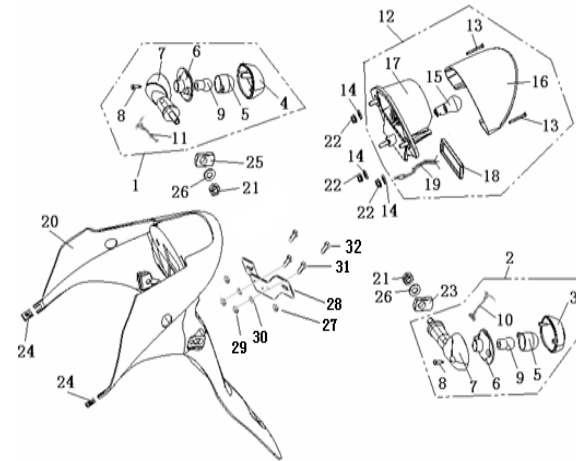


标记 处数 更改文件号 签字 日期

尾灯

TAIL LIGHT

序号	代码	物料编码		数量
NO.	CODE	material coding		QTY.
19	82900BM0T000	82900B910000	WIRE ASSY. , TAIL LIGHT	1
20	08202BM0T000	08202B910000	LICENSE BRACKET	1
21	B04061012565	B04061012565	NUT10X1.25MM	2
22	B04070600065	B04070600065	NUT 6MM	3
23	81511BM0T000	65782B910000	FLASHER LIGHT CUSHION , L	1
24	65802BM0T000	65802B910000	SPRING NUT 5MM	2
25	81708BM0T000	65792B910000	FLASHER LIGHT CUSHION , R	1
26	B07030001005	B07030001005	WASHER 10MM	2
27	B04070600054	B04070600054	NUT 6MM	2
28	08203BMBT000	08204B910000	BRACKET REAR LICENCE	1
29	B04070600054	B04070600054	NUT 6MM	2
30	B07030000604	B07030000604	WASHER 6MM	2
31	B01010601624	B01010601624	BOLT 6×16MM	2
32	B01090601664	B01090601664	BOLT 6×16MM	2

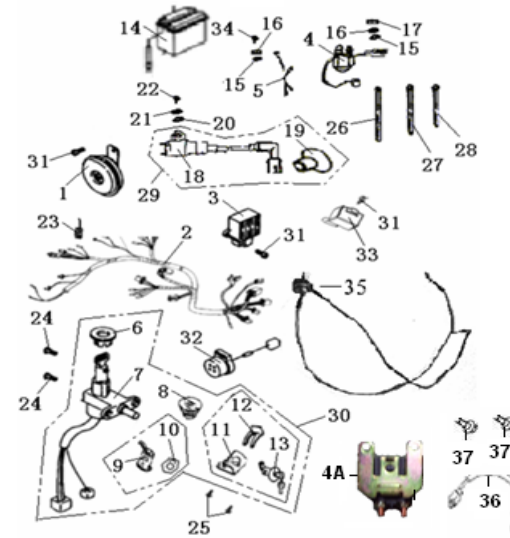


标记 处数 更改文件号 签字 日期

电器I

ELECTRICAL EQUIPMENT I

序号	代码	物料编码		数量
NO.	CODE	material coding		QTY.
1	95100BMDT000	95100B310000	HORN (E MARK)	1
2	92000BMBT00N	92000B92000C	WIRE HARNESS ASSY.	1
2	92000B920018	92000B920027	WIRE HARNESS ASSY.	1
3	98801J0ET000	299051040070	REGULATOR COMP.	1
4	94100BMBT000	94100B920000	STARTER RELAY COMP.	1
4A	94100J000002	94100J000002	STARTER RELAY COMP.	1
5	96900BMBT000	92500B920000	WIRE HARNESS	1
6	88101B92000S	88101B92000S	COVER MAIN SWITCH mark:on,off	1
7	88100BMBT000	88100B920000	MAIN SWITCH ASSY.	1
8	88400BM0T000	88400B910000	LOCK ASSY., FUEL TANK	1
9	88501BMBT000	88501B920000	LOCK 1	1
10	88502BMBT000	88502B920000	LOCK,SIDE COVER3 NUT	1
11	88801BMBT000	88801B920000	LOCK SEAT1	1
12	88802BMBT000	88802B920000	LOCK SEAT2	1
13	88800BMBT000	88800B920000	LOCK SEAT , ASSY	1
14	96100BM0T000	96100H010000	BATTERY ASSY. 12V,4AH (Y1X5L-BS)	1
14	96100B030010	96100B030010	BATTERY ASSY. 12V,3AH (Y1X4L-RS)	1
15	B07030000605	B07030000605	WASHER 6MM	2
16	B07000000605	B07000000605	WASHER 6MM	2
17	B04000600055	B04000600055	NUT 6MM	1
18	96202BMAT000	96200B310000	IGNITION COIL ASSY.	1

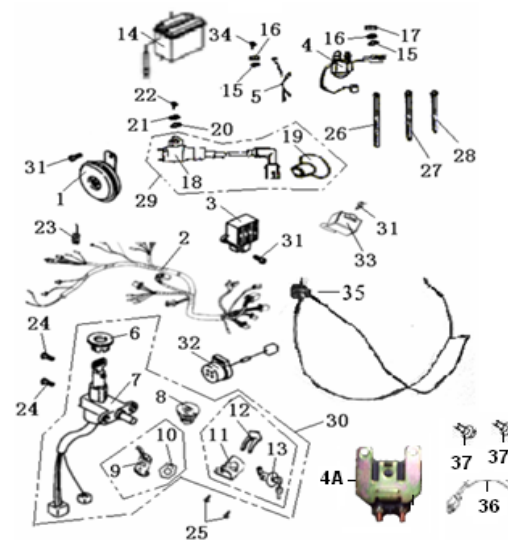


标记 处数 更改文件号 签字 日期

电器II

ELECTRICAL EQUIPMENT

序号	代码	物料编码		数量
NO.	CODE	material coding		QTY.
19	96201BMAT000	96201B310000	COVER, IGNITION COIL	1
20	B07000000505	B07000000505	WASHER 5MM	1
21	B07030000505	B07030000505	WASHER 5MM	1
22	B02000502025	B02000502025	SCREW 5X20MM	1
23	96800BMAT000	96800B310000	FUSE 8A,250V	1
24	08802BMBT000	08802B920000	BOLT 6X12MM	2
25	B05074001005	B05074001005	SCREW 4X10MM	2
26	96001K00P000	96001K010000	BAND 250MM	3
27	96003K00P000	96003K010000	BAND 200MM	3
28	96002K00P000	96002K010000	BAND 150MM	1
29	96200BMAT000	96200B310000	IGNITION COIL ASSY	1
30	88000B92000S	88000B92000S	LOCK ASSY.mark:on,off	1
31	B01090601265	B01090601265	BOLT 6X12MM	3
32	96500BM0T001	96400B920001	FLASH&AUDIO PILOT COMP.	1
33	97701BM0T000	299051040050	C.D.I. UNIT COMP.	1
34	B01090601065	B01090601065	BOLT 6X10MM	1
35	96310B920000	96310B920000	CHARGER PLUG	1
36	92200B230002	92200B230002	ELECTRIC CABLE	1
37	B01090601065	B01090601065	BOLT M6×10	2

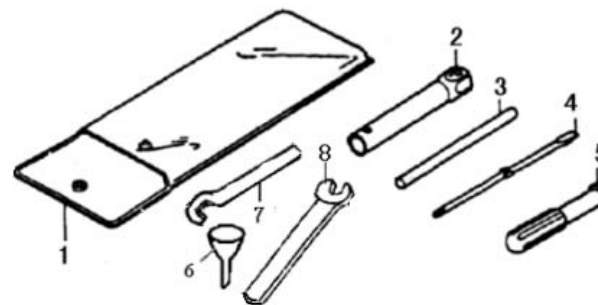


标记 处数 更改文件号 签字 日期

随车工具

TOOL KIT

序号	代码	物料编码		数量
NO.	CODE	material coding		QTY.
1	02110BM0T000	02110B910000	TOOL BAG	1
2	02102BM0T000	02102B910000	SPARK PLUG SOCKET	1
3	02101BM0T000	02101B910000	SPARK PLUG SOCKET HANDLE	1
4	02103BM0T000	02103B910000	SCREW DRIVER	1
5	02104BM0T000	02104B910000	HANDLE	1
6	02114BM0T000	02114B910000	FILTER, OIL TANK	1
7	02115BM0T000	02115B910000	RR. ABSORBER ADJUSTER	1
8	02117BMBT000	02117B910000	WRENCH 35	1

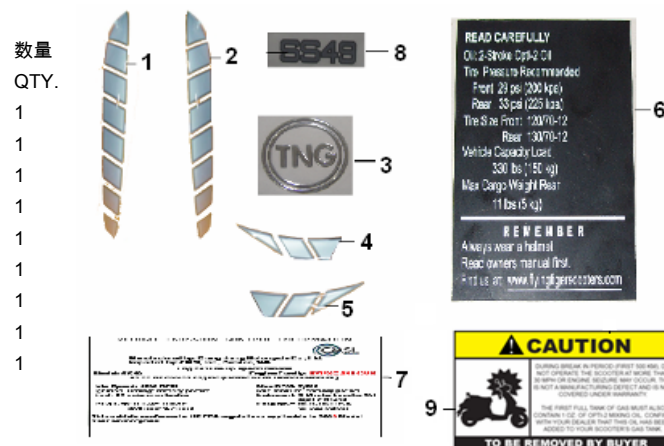


标记 处数 更改文件号 签字 日期

贴花总成

STICKER

序号	代码	物料编码	描述
NO.	CODE	material coding	
1	05516BMBT00E	05516B92000E	STICKER.SIDE COVER LH
2	05512BMBT00E	05512B92000E	STICKER SIDE COVER RH
3	05522B130000	05522B130000	TNG , PLATE
4	05523BMBT00E	05523B92000E	STICKER FRONT COVER LH
5	05522BMBT00E	05522B92000E	STICKER FRONT COVER RH
6	05533B920005	05533B920005	TIRE PRESSURE
7	05596B920004	05596B920004	STICKER "EPA"
8	05525BMBT00E	05525B92000E	STICKER FRONT COVER LH
9	05531B030002	05531B030002	WARNING STICKER



数量
QTY.

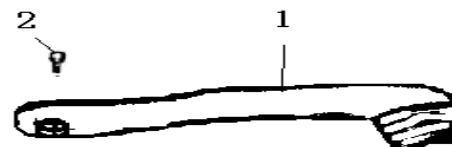
1
1
1
1
1
1
1
1
1

标记 处数 更改文件号 签字 日期

发动机附件

ENGINE ATTACHMENT

序号	代码	物料编码		数量
NO.	CODE	material coding		QTY.
1	08351BM0TC10	08351B91C100	STARTING SHAFT (SILVER)	1
2	B02050602565	B02050602565	SCREW 6X25MM	1

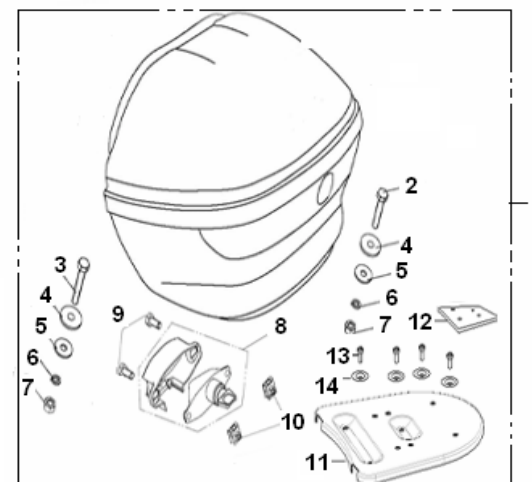


标记 处数 更改文件号 签字 日期

后货箱总成

BACK BOX ASSY

序号	代码	物料编码		数量
NO.	CODE	material coding		QTY.
1	52200BMBT001	52200B92B101	BACK BOX ASSY(BLACK)	1
1	52200BMBT001	52200B92Y501	BACK BOX ASSY(YELLOW)	1
2	B01010603033	B01010603033	BOLT 6X30MM	2
3	B01010603533	B01010603533	BOLT M6X35	2
4	52221BMBT000	52221B920000	WASHER	4
5	B07020000603	B07020000603	WASHER 6MM	4
6	B07000000603	B07000000603	SPRING WASHER 6MM	4
7	B04000600043	B04000600043	NUT 6MM	4
8	88600BMBT000	88600B920000	BACK BOX LOCK	1
9	B01070601663	B01070601663	SCREW 6X16MM	2
10	52910BMBT000	52910B920000	NUT , CLIPPING 6MM	2
11	52180BMBT000	52180B920000	STORAGE BOX , ASSY PLATE	1
12	52222BMBT000	52222B920000	RUBBER MAT	1
13	B01010601623	B01010601623	BOLT 6X16MM	4
14	52221BMBT000	52221B920000	WASHER	4



标记 处数 更改文件号 签字 日期