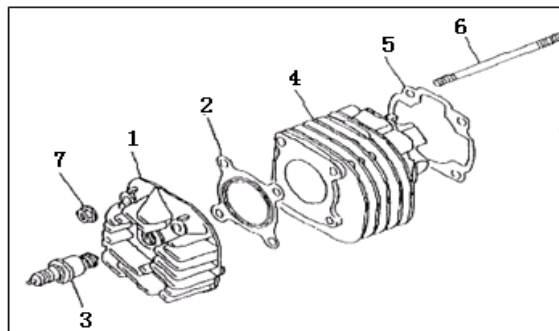


Engine Breakdown Catalogue for SS49

QJ1E40QMB-4 (1010208.04101)

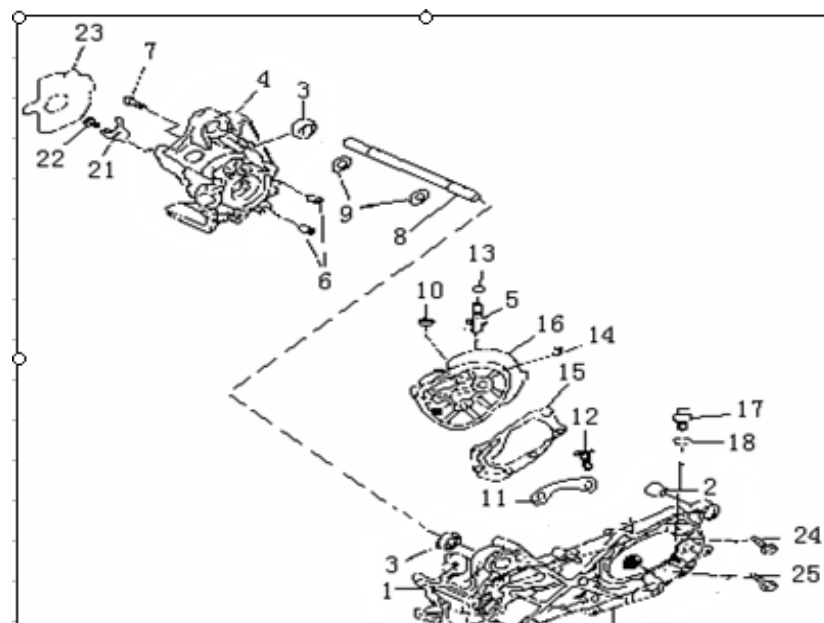
1 气缸总成 CYLINDER HEAD ASSY

NO	QJ CODE	DESCRIPTION	QTY	RMK
1	30701B01F00A	HEAD , CYLINDER	1	
2	30507B01F000	GASKET , CYLINDER HEAD	1	
3	201204.013000	SPARK PLUG	1	BR8HSA
4	27101B01F00A	CYLINDER	1	
5	204204.001000	GASKET , CYLINDER	1	
6	26107B01F910	STUD BOLT	4	
7	304290700062	NUT	4	

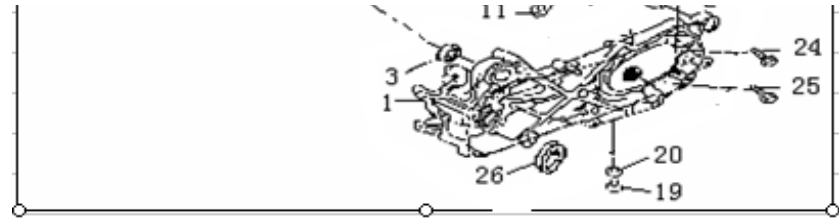


2 曲轴箱分总成 CRANKCASE ASSY

NO	QJ CODE	DESCRIPTION	QTY	RMK
1	206200.045000	CRANKCASE,LH	1	
2	26108G02F000	BUSH,ENGINE MOUNTING	1	
3	B12016600300	BEARING 6003-2RS	2	
4	26211B09F001	CRANKCASE,RH	1	
5	26142G02F000	BRAKE SHOE	1	
6	26123G02F000	DOWEL PIN 12X16	2	
7	301310603565	PAN HEAD SCREW M6X35	6	
8	26109B09F000	AXLE,engine mount	1	
9	B08010001700	CIRCLIP 17	2	
10	B04070812553	NUT M8	1	
11	26214B09F000	BEARING HOLDER	1	
12	B02000601262	PAN HEAD SCREW M6X12	2	
13	14222J01F000	O-RING	1	

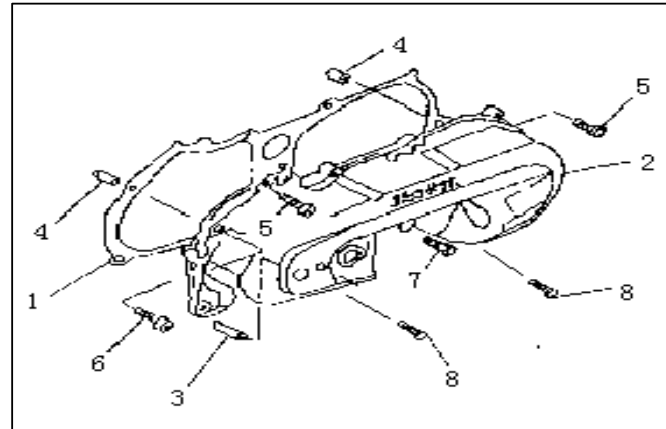


14	26123G02F000	DOWEL PIN 12X16	2	
15	214201.004000	GASKET , GEAR BOX	1	
16	18101B09F000	COVER, GEAR BOX	1	
17	206407.004081	OIL PLUG	1	Black
18	26102G02F000	O RING	1	
19	301310801605	FLANGE BOLT M8X16	1	chrome
20	18105H03F000	PLATE WASHER 8	1	
21	26214G02F910	OIL SEAL HOLDER	1	
22	301310601263	PAN HEAD SCREW M6X12	1	color zinc
23	206321.001000	GASKET	1	
24	301310805565	SCREW M8X55	2	chrome
25	301310805065	SCREW M8X50	5	chrome
26	207234.001000	bush	1	



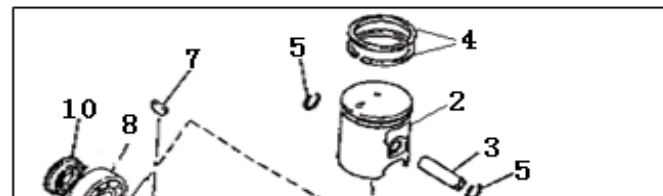
3 侧盖分总成 SIDECOVER ASSY

序号	代码		数量	备注
NO	QJ CODE	DESCRIPTION	QTY	RMK
1	207208.017000	GASKET,L CRANKCASE	1	
2	207200.001082	L CRANKCASE COVER	1	
3	26128G02F000	IDLE GEAR	1	
4	26208J01F000	DOWEL PIN	2	
5	301310602565	PAN HEAD SCREW M6X25	8	chrome
6	301310603565	PAN HEAD SCREW M6X35	1	chrome
7	301310606565	PAN HEAD SCREW M6X65	1	chrome
8	302460601265	PAN HEAD SCREW	2	chrome

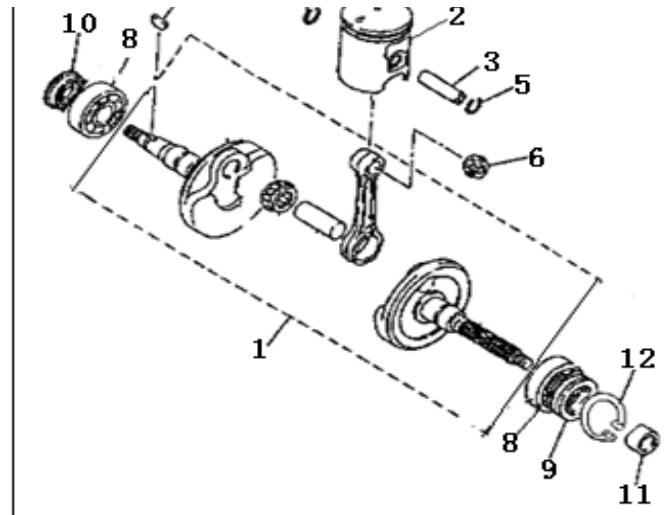


4 活塞连杆曲轴分总成 PISTON CRANKSHAFT CONNECTING ROD ASSY

序号	代码		数量	备注
NO	QJ CODE	DESCRIPTION	QTY	RMK
1	208100.022000	CRANKSHAFT , ASSY	1	

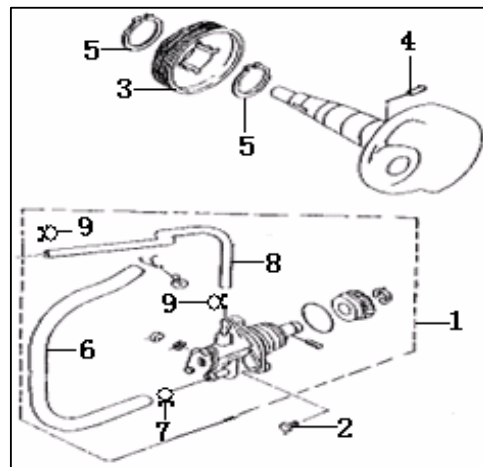


2	15100B01F000	PISTON ASSY	1	Europe I
3	15105B16F000	PISTON PIN	1	
4	15103B01F000	PISTON RING ASSY	2	AVL
5	15111G02F000	CIRCLIP	2	
6	15110B16F000	NEEDLE BEARING	1	TPI
7	15101B01F000	WOODRUFF KEY	1	
8	B12016620453	BALL BEARING	2	TPI
9	15213G02F000	OIL SEAL	1	
10	26215G02F000	OIL SEAL ASSY	1	
11	15214G02F000	COLLAR	1	
12	17308G02F000	CIRCLIP	1	



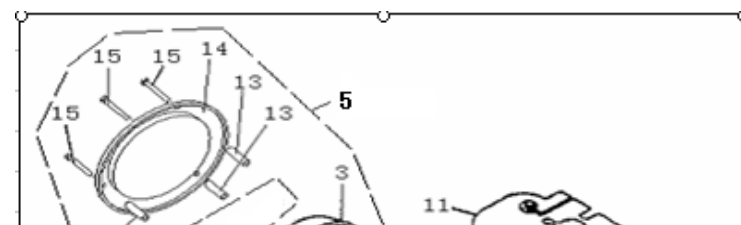
5 机油泵分总成 OIL PUMP ASSY

序号	代码		数量	备注
NO	QJ CODE	DESCRIPTION	QTY	RMK
1	219101.008000	OIL PUMP ASSY	1	Mark 502
2	B02000501463	SCREW	2	
3	15211G02F000	PUMP DRIVE GEAR	1	
4	B090103014C0	PIN	1	
5	15106G02F910	CIRCLIP	2	
6	221405.100000	HOSE,OIL INLET	1	
7	19213G02F00A	HOSE CLIP	2	chrome
8	221405.101000	HOSE,OIL OUTLET	1	
9	19217G02F00A	HOSE CLIP	2	chrome

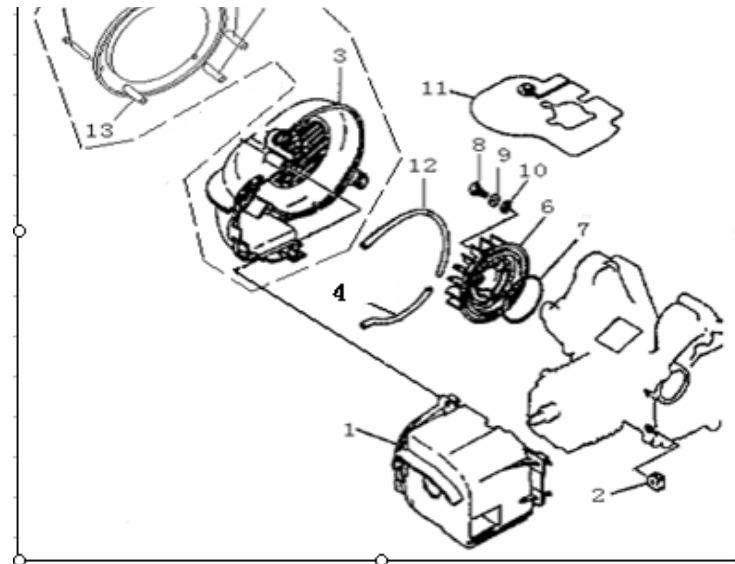


6 导风罩分总成 AIR COOLING SYSTEM

序号	代码		数量	备注
NO	QJ CODE	DESCRIPTION	QTY	RMK
1	20301B01F000	COWLING,cylinder	1	
2	20303G02F000	GROMMET	2	

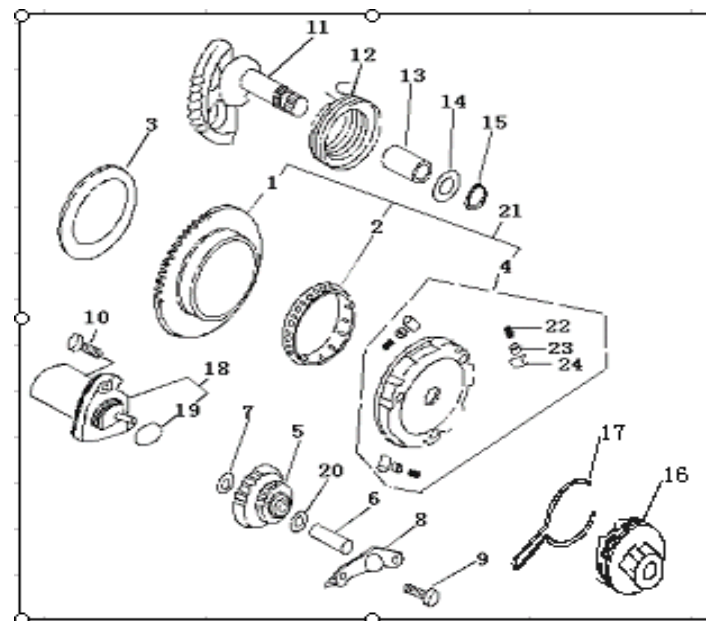


3	20201B09F000	COELING,fan	1	AVL
4	20208G02F000	BEADING (RUBBER)	1	110
5	222103.009000	COVER ASSY (FAN)	1	
6	20401B01F000	FAN ASSY	1	
7	20402G02F000	RUBBER RING 70X3.1	1	
8	B02000601663	SCREW M6X16	3	
9	B07000000600	SPRING WASHER φ6	3	
10	B07030000600	WASHER φ6	3	
11	20102G02F000	DUST COVER (RUBBER)	1	
12	20206G02F000	BEADING (RUBBER)	1	220
13	20208B09F000	COLLOR	3	
14	222304.102000	COVER	1	
15	302210403564	SCREW M4X35	3	



7 起动分总成 KICK STARTER ASSY

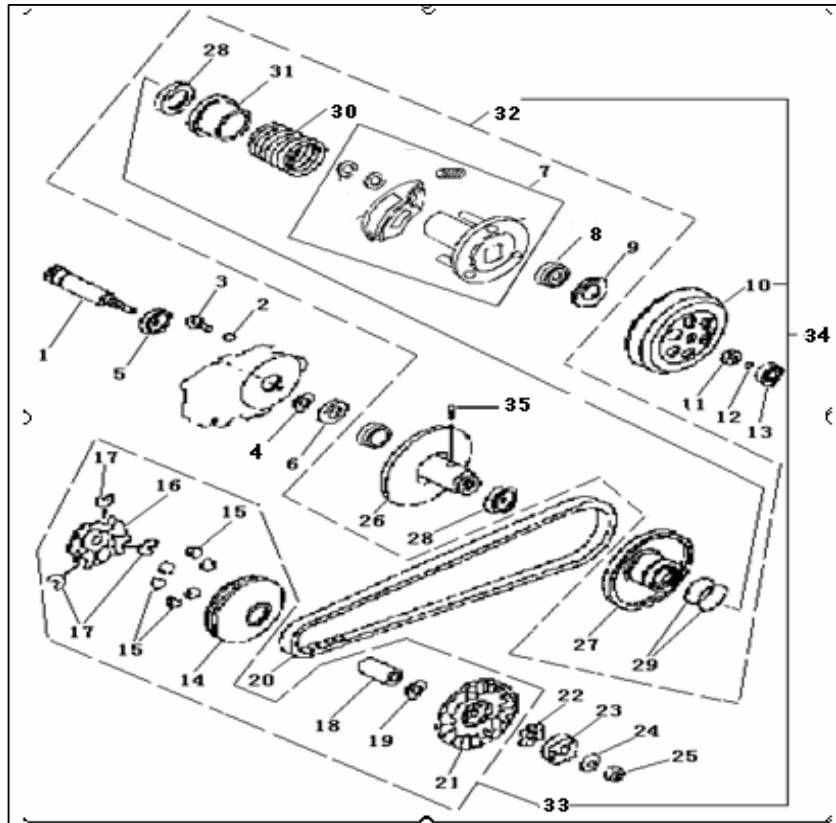
序号	代码		数量	备注
NO	QJ CODE	DESCRIPTION	QTY	RMK
1	34120G02F000	START GEAR ASSY	1	
2	34121G02F000	NEEDLE BEARING	1	
3	34123G02F000	THRUST WASHER	1	
4	34110G02F00A	STARTER CLUTCH ASSY.COMP	1	
5	34126G02F000	DRIVEN GEAR,STARTER	1	
6	26128G02F000	IDLE GEAR SHAFT	1	
7	34122G02F000	PLATE WASHER	1	
8	34125G02F000	IDLE GEAR HOLDER	1	
9	301310601062	SCREW	2	
10	302040602065	SCREW	2	
11	216100.004000	SHAFT, kick starter	1	
12	17407G02F000	SPRING	1	
13	216217.001000	BUSH	1	



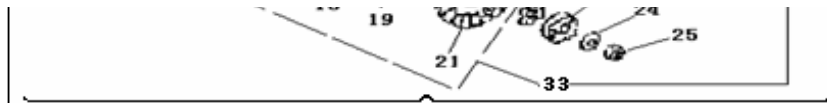
14	307991005552	WASHER ,kick starter	1	
15	308090150003	CIRCLIP	1	
16	17415G02F000	KICK PINION ASSY	1	
17	17418G02F930	CLIP	1	
18	218100.017472	STARTING MOTOR ASSY(460-470mm)	1	
19	B190102120B0	O-RING	1	
20	34130G02F000	PLATE WASHER	1	
21	217100.100000	START CLUTCH ASSY, COMP.	1	
22	34404G02F00A	SPRING	3	
23	34405G02F00A	CAP	3	
24	34402G02F00A	ROLLER	3	

8 传动机构总成 CLUTCH ASSY

序号	代码		数量	备注
NO	QJ CODE	DESCRIPTION	QTY	RMK
1	24201B09F000	PRIMARY DRIVE SHAFT	1	
2	18114G02F000	PLATE WASHER	1	
3	B01090801263	PAN HEAD SCREW	1	
4	B08010001700	CIRCLIP	1	
5	B12016620300	BEARING 6203	1	
6	24203B09F000	OIL SEAL	1	
7	24301B01F000	CLUTCH ASSY,shoe	1	
8	24245G02F000	ROLLER BEARING	1	
9	24303G02F000	NUT	1	
10	24700G02F000	CLUTCH DRUM	1	
11	24305G02F940	NUT	1	
12	24243G02F000	O-RING	1	
13	24209G02F000	BEARING 638Z	1	
14	24101G02F000	FACE,movable drive	1	
15	213119.004000	ROLLER	6	4g

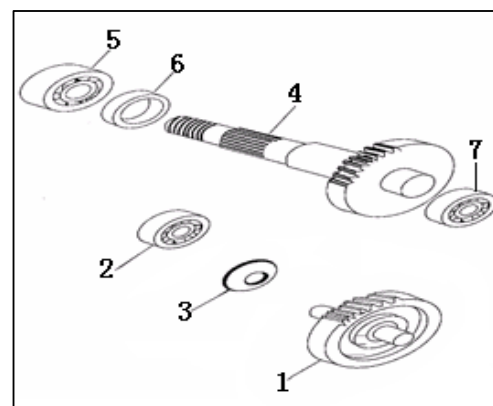


16	24103G02F000	PLATE,movable drive	1	
17	24104G02F000	DAMPER	3	
18	24105G02F000	COLLER	1	
19	24106B01F000	WASHER	1	
20	24107B01F000	V BELT , DRIVE	1	
21	24108G02F000	FACE , FIXED DRIVE	1	
22	24109G02F000	PLATE , WOODRUFF KEY	1	
23	213203.001161	STARTING DISC	1	
24	15112G02F010	WASHER , SPRING	1	
25	B04031212553	NUT	1	
26	24204G02F000	FACE , FIXED DRIVEN	1	
27	24205G02F000	FACE , MOVABLE DRIVEN	1	
28	24206G02F000	OIL SEAL	1	
29	24207G02F000	O-RING	2	
30	24308B01F000	SPRING	1	
31	24309G02F930	SEAT , SPRING	1	
32	24200B01F000	DRIVEN PULLY and CLUTCH ASSY	1	
33	24100B09F000	DRIVE ASSY	1	
34	213100.009000	SHIFT ASSY	1	4g
35	24208G02F000	PIN , GUIDE	2	

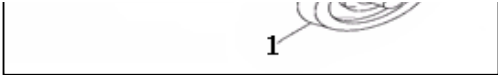


9 变速系统分总成 TRANSMISSION SYSTEM ASSY52-4

序号	代码		数量	备注
NO	CODE		QTY	RMK
1	17800G16F000	SHAFT , IDLE	1	
2	B12016620000	BEARING 6200	1	
3	17802J01F000	WASHER , PLANE	1	
4	17300G16F000	DRIVEN SHAFT(GEAR BOX)	1	
5	B12016600400	NEEDLE BEARING	1	
6	17317B09F000	OIL SEAL	1	

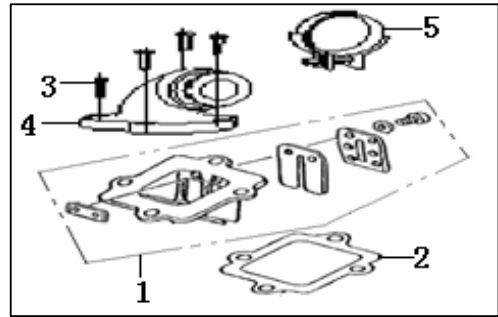


7	B12016620200	NEEDLE BEARING	1	
---	--------------	----------------	---	--



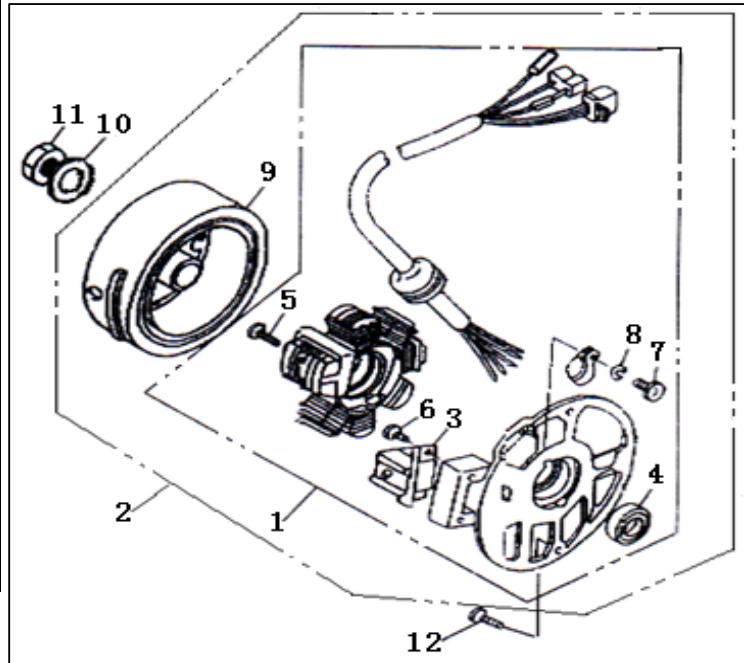
10 进气阀分总成 REED VALVE ASSY

序号	代码		数量	备注
NO	QJ CODE	DESCRIPTION	QTY	RMK
1	32300G02F000	REED VALVE ASSY	1	
2	202306.002000	VALVE SEAT GASKET	1	
3	302040602065	SCREW	4	chrome
4	32200G02F000	PIPE, intake	1	
5	202104.006000	CLIP	1	



11 磁电机总成 MAGNETO ASSY

序号	代码		数量	备注
NO	QJ CODE	DESCRIPTION	QTY	RMK
1	34310G02F000	COIL ASSY	1	
2	223100.100000	MAGNETO ASSY	1	15°
3	34330G02F000	PULSE TRIGGER	1	
4	34350G02F000	OIL SEAT	1	
5	B02000502522	SCREW	2	
6	B02000501262	SCREW	2	
7	B02000400622	SCREW	1	
8	B07000000400	SPRING WASHER	1	
9	223101.019000	FLY WHEEL ASSY	1	15°
10	B07030001200	WASHER	1	
11	15228H03F000	NUT	1	
12	B01070601664	NUT	2	



12 化油器分总成 CARBURETOR ASSY

序号	代码		数量	备注
NO	CODE		QTY	RMK



1	32510B01F000	NEEDLE, jet	1	
2	32511B01F000	VALVE,PISTON	1	
3	224202.100000	JET, main	1	70
4	32612B01F000	ENRICH VALVE	1	
5	32619B01F000	PIN, float	1	
6	32620B01F000	FLOAT	1	
7	32701B01F000	GASKET	1	
8	32609B01F000	JET, idle	1	
9	224100.042000	CARBURETOR ASSY	1	
10	32508B01F000	CLIPMM,V shape	1	

