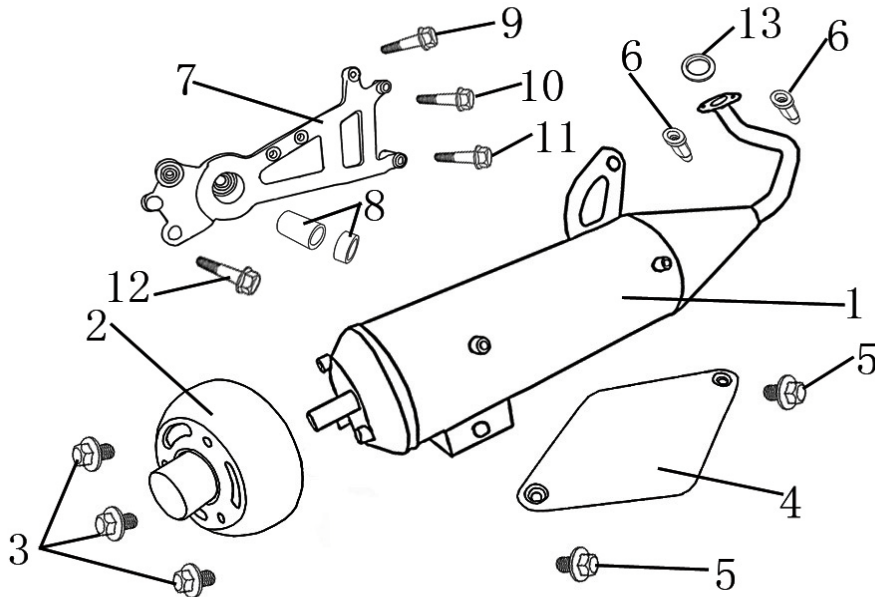


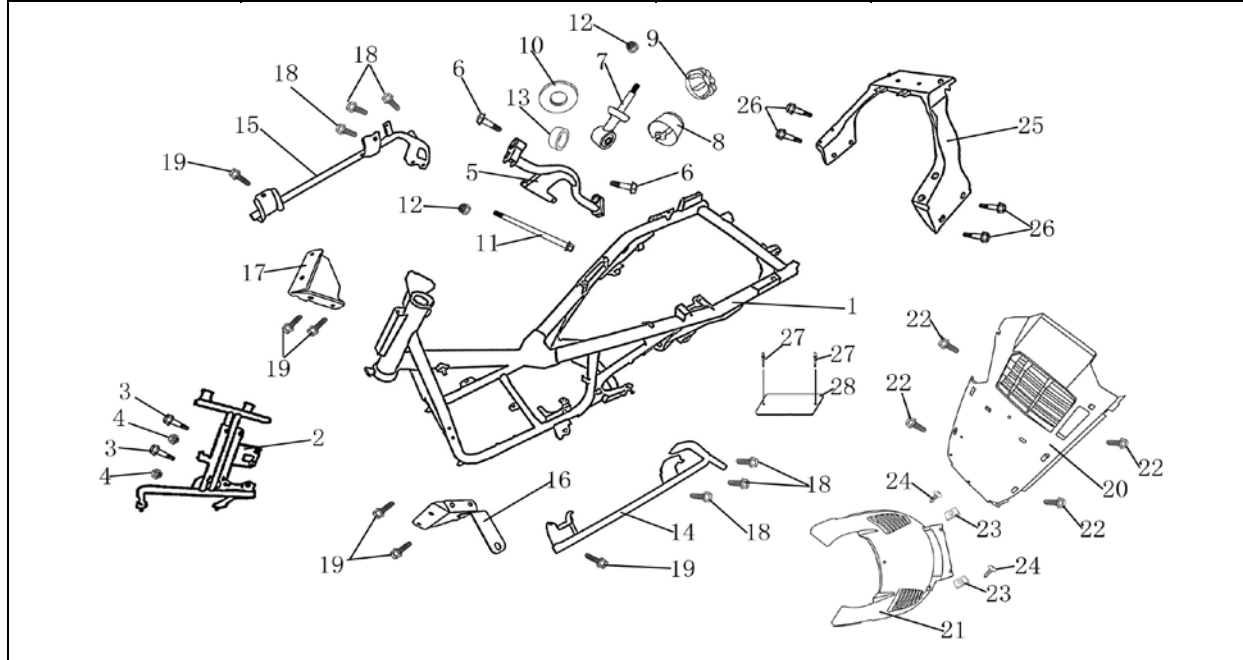
**JONWAY 150T-2 PARTS CATALOGUE**

图 1	消声器	Model	JONWAY 150T-2
Draft 1	EXHAUST MUFFLER	Part No.	YYTW15001000



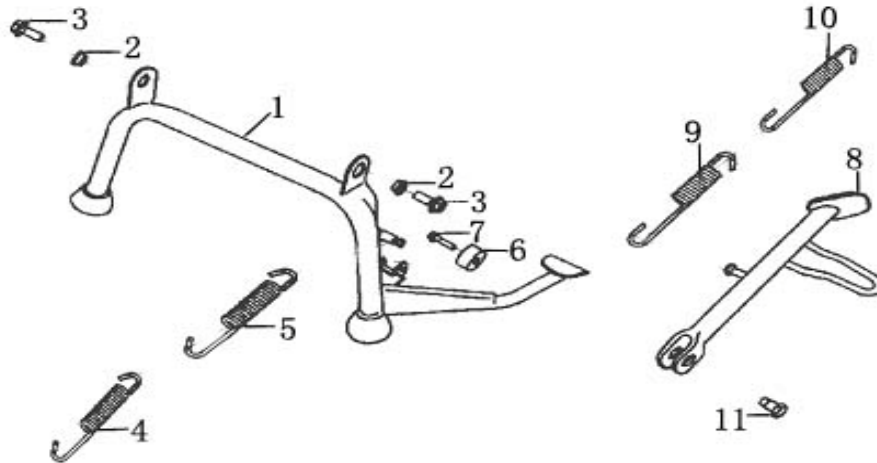
NO.	Part NO.	Chinese Name	Description	QTY
		(全包) 消声器总成, 带触媒		
1	YYTW15001001	(全包) 消声器总成	Exhaust Muffler	1
2	YYTW15001002	后尾装饰罩	Rear Decorating Cover	1
3	GB/T5787-M6X12	法兰螺栓-M6X12	Flange Bolt M6×12	3
4	YYTW15001003	不锈钢装饰罩	Stainless Steel Decorating Cover	1
5	GB/T5787-M6X12	法兰螺栓-M6X12	Flange Bolt M6×12	2
6	GB/T802-M6X30	盖型螺母 (全牙) M6X30	Cap Nut M6×30	2
7	YYTW15001004	连接板	Connecting Plate	1
8	YYTW15001005	衬套	Bush	1
9	GB/T5787-M8X70	法兰螺栓-M8X70	Flange Bolt M8×70	1
10	GB/T5787-M8X50	法兰螺栓-M8X50	Flange Bolt M8×50	1
11	GB/T5787-M8X40	法兰螺栓-M8X40	Flange Bolt M8×40	1
12	GB/T5787-M8X105	法兰螺栓-M8X105	Flange Bolt M8×105	1
13	YYTW15001006	石棉垫	Asbestos Cushion	1

图 2	车架	Model	JONWAY 150T-2
Draft 2	FRAME	Part No.	YYTW15002000



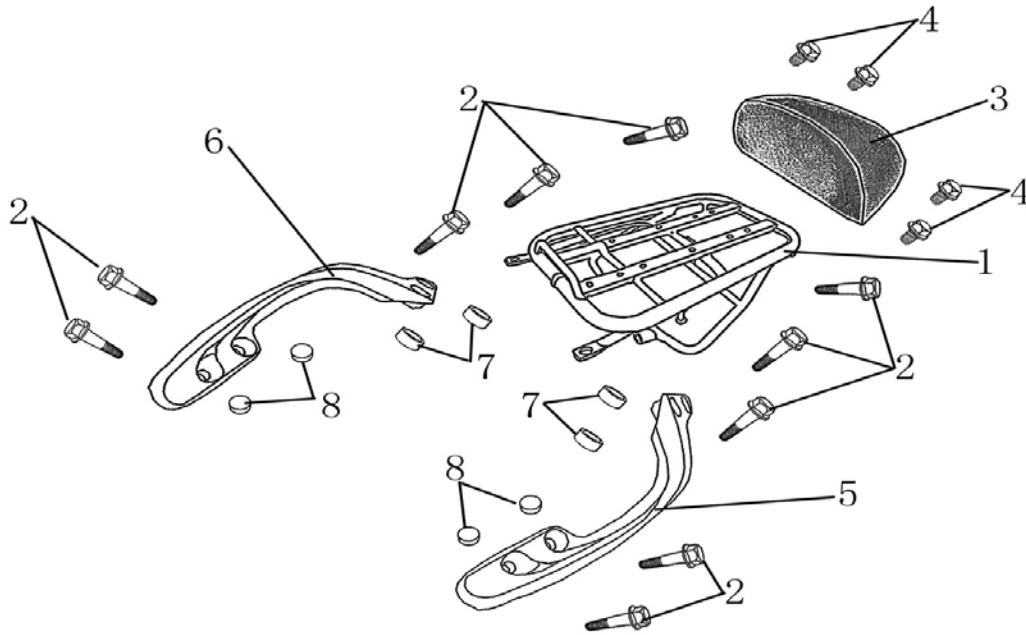
NO.	Part NO.	Chinese Name	Description	QTY
1	YYTW15002001	车架	Frame	1
2	YYTW15002002	喇叭支架	Bracket, Horn	1
3	GB/T5789-M8×40	法兰螺栓M8×40	Flange Bolt, M8×40	2
4	GB/T6187.1-M8	法兰锁紧螺母M8	Flange Lock Nut, M8	2
5	YYTW15002003	动力吊架	Engine Mount	1
6	GB/T5789-M10×55	法兰螺栓-M10X55	Flange Bolt M10×55	2
7	YYTW15002005	动力吊架连杆(吊耳)	Connecting Shaft,Engine Mount	1
8	YYTW15002006	动力吊架连杆橡胶A	Rubber A, Connecting Rod,Engine Mount	1
9	YYTW15002007	动力吊架连杆橡胶B	Rubber B, Connecting Rod,Engine Mount	1
10	YYTW15002008	平垫 φ10×φ30	Washer φ10×φ30	1
11	YYTW15002009	吊架连接轴M10×185	Engine Mount Bolt, M10×185	1
12	GB/T6187.1-M10X1.25	法兰锁紧螺母M10X1.25	Flange Lock Nut, M10X1.25	2
13	YYTW15002010	衬套 φ10X5	Bush φ10×5	1
14	YYTW15002011	左边管	Side Tube,L	1
15	YYTW15002012	右边管	Side Tube,R	1
16	YYTW15002013	脚踏板左支撑	Footrest Panel Stand,L	1
17	YYTW15002014	脚踏板右支撑	Footrest Panel Stand,R	1
18	GB/T5789-M8×16	法兰螺栓M8×16	Flange Bolt, M8×16	6
19	GB/T5789-M6×16	法兰螺栓M6×16	Flange Bolt, M6×16	6
20	YYTW15002015	车架挡泥板后部	Frame Fender,Rear Plate	1
21	YYTW15002016	车架挡泥板前部	Frame Fender,Front Plate	1
22	GB/T9074.14-M6×16	法兰螺栓M6×16	Flange Bolt, M6×16	4
23	YYTW15002017	自功螺钉卡片	Clip,Tapping Screw	2
24	GB/T845-4.8X16	自功螺钉-4.8X16	Tapping Screw,4.8×16	4
25	YYTW15002018	后货架支架	Bracket, Rear Carrier	1
26	GB/T5789-M8×35	法兰螺栓M8×35	Flange Bolt M8×35	4
27	YYTW15002019	铭牌	Statutory Inscription Plate	1
28	GB/T12615	铭牌铆钉	Rivet, Statutory Inscription Plate	2

图 3	主支架/侧支架	Model	JONWAY 150T-2
Draft 3	MAIN / SIDE STAND	Part No.	YYTW15003000



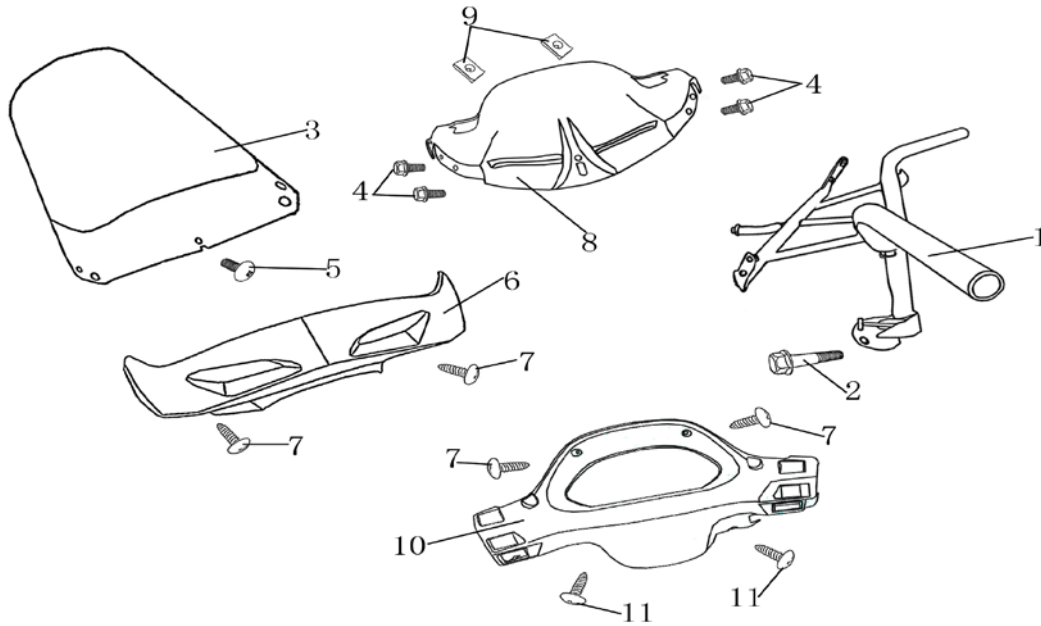
NO.	Part NO.	Chinese Name	Description	QTY
1	YYTW15003001	主支架	Main Stand Assy	1
2	YYTW15003002	主支架衬套	T-Collar, Main Stand	2
3	GB/T5789-M10×30	法兰螺栓M10×25	Flange Bolt, M10×25	2
4	YYTW15003003	主支架内弹簧	Side Spring, Main Stand	1
5	YYTW15003004	主支架外弹簧	Spring, Main Stand	1
6	YYTW15003005	主支架缓冲块	Retainer Rubber, Main Stand	1
7	GB/T5789-M6×30	法兰螺栓M6×30	Flange Bolt, M6×30	1
8	YYTW15003006	侧支架	Side Stand Assy	1
9	YYTW15003007	侧支架外弹簧	Spring, Side Stand	1
10	YYTW15003008	侧支架内弹簧	Side Spring, Side Stand	1
11	YYTW15003009	侧支架螺栓	Bolt	1

图 4	后货架	Model	JONWAY 150T-2
Draft 4	REAR BAGGAGE RACK	Part No.	YYTW15004000



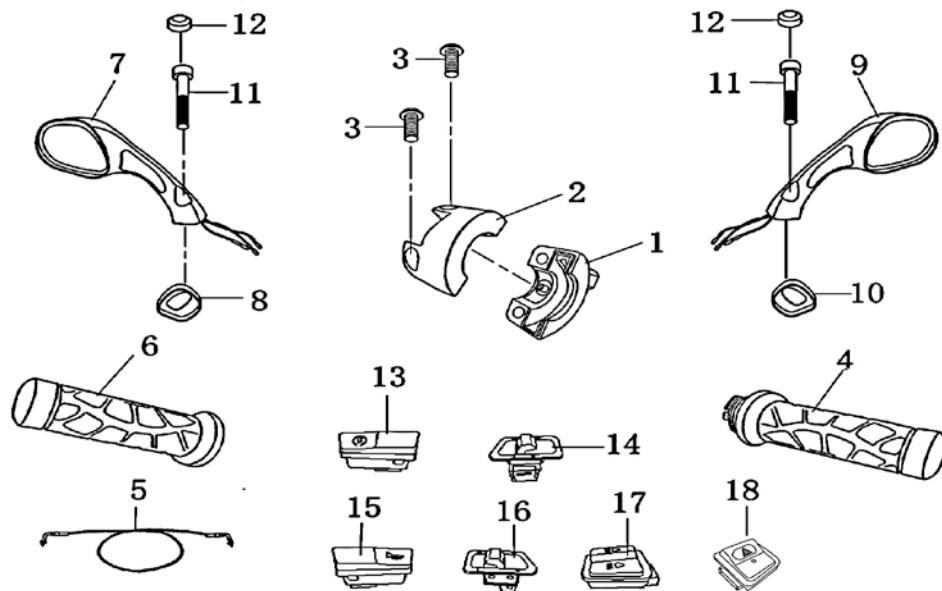
NO.	Part NO.	Chinese Name	Description	QTY
1	YYTW15004001	载物架	Handle, Baggage Rack	1
2	GB/T5789-M8×40	法兰螺栓M8×40	Flange Bolt,M8×40	10
3	YYTW15004002	靠背	Backrest	1
4	GB/T 5787-M6X12	法兰螺栓M6×12	Flange Bolt,M6×12	4
5	YYTW15004003	后左扶手	Rear Armrest,L	1
6	YYTW15004004	后右扶手	Rear Armrest,R	1
7	YYTW15004005	衬套 φ 20X φ 12X13	Bush φ20Xφ12X13	2
8	YYTW15004006	橡胶塞	Rubber Plug	4

图 5	方向把/方向把罩	Model	JONWAY 150T-2
Draft 5	HANDLE, METER CASE	Part No.	YYTW15005000



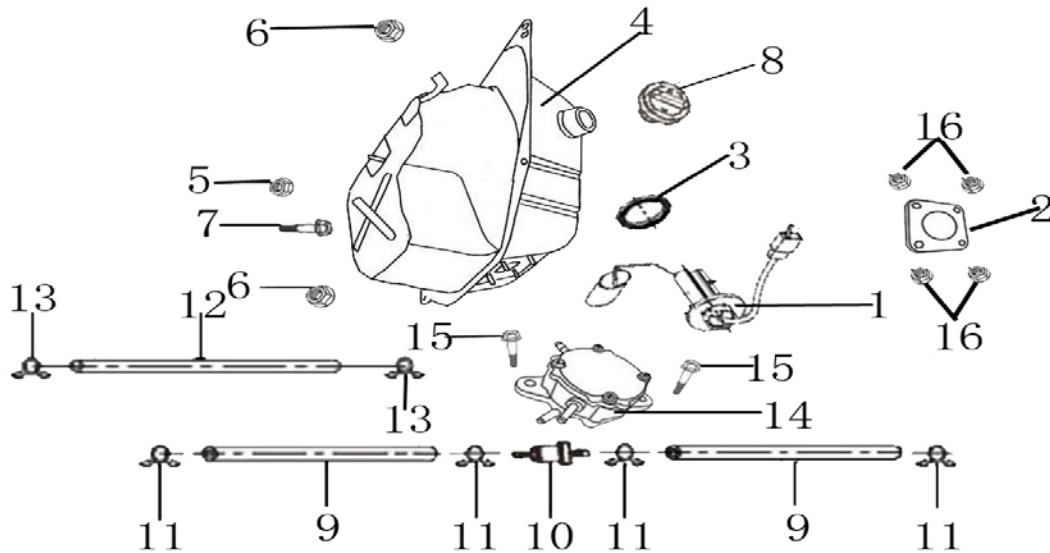
NO.	Part NO.	Chinese Name	Description	QTY
1	YYTW15005001	方向把	Handle Comp	1
2	GB/T5789-M10×40	法兰螺栓M10×40	Flange Lock bolt M10×40	1
3	YYTW15005002	挡风玻璃	Windshield	1
4	GB/T5787-M6X16	法兰螺栓-M6X16	Flange Bolt,M6×16	1
5	YYTW15005003	十字大盘头螺钉-M6X16	Inner Hex Bolt, M8×60	4
6	YYTW15005004	导流罩	Shroud	1
7	GB/T845-ST4.2X16	自功螺钉-ST4.2X16	Screw, TappingST4.8×16	4
8	YYTW15005005	仪表前罩	Front Cover,Speedometer	1
9	YYTW15005006	卡片	Clip	2
10	YYTW15005007	仪表壳	Speedometer Cover	1
11	GB/T845-ST4.2X16	自功螺钉-ST4.2X16	Tapping Screw,ST4.2×16	2

图 6	操纵手把/后视镜/钢索/开关	Model	JONWAY 150T-2
Draft 6	HANDLEBAR, REAR VIEW MIRROR, CABLE & SWITCH	Part No.	YYTW15006000



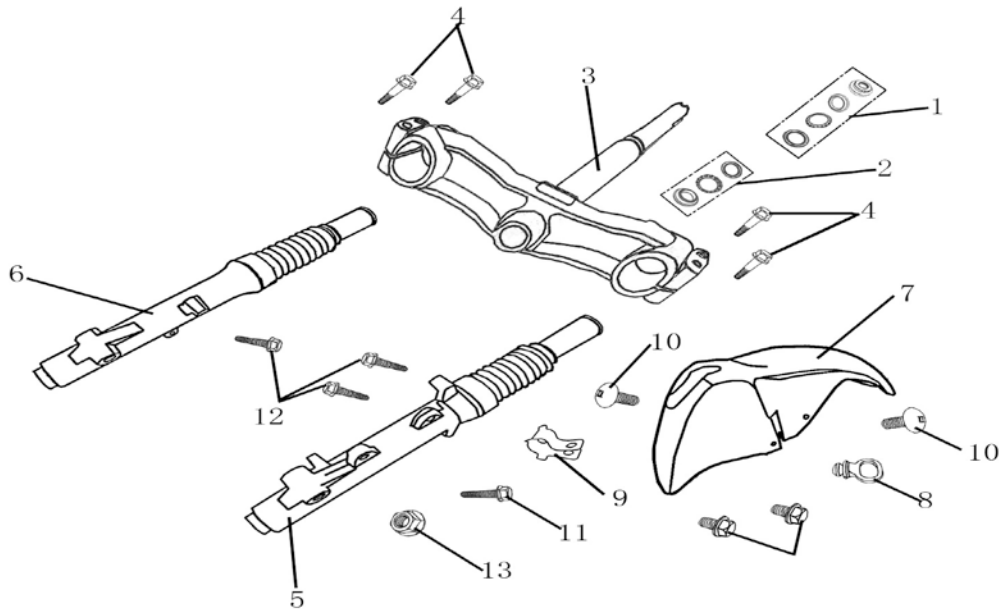
NO.	Part NO.	Chinese Name	Description	QTY
1	YYTW15006001	油门固定座	Holder, Throttle at Right Handle	1
2	YYTW15006002	油门固定块	Rear Holder, Throttle Cable	1
3	GB/T818-M5×30	十字盘头螺钉M5×30	Screw, M5×30	2
4	YYTW15006003	右把手套(油门转把)	Rubber Grip, R. Handle(Throttle Control)	1
5	YYTW15006005	油门线	Throttle Cable	1
6	YYTW15006006	左把手套	Rubber Grip, L. Handle	1
7	YYTW15006007	左后视镜组件	Rear View Mirror, L.	1
8	YYTW15006008	左后视镜橡胶套	Rubber Cover, L. Rear View Mirror	1
9	YYTW15006009	右后视镜组件	Rear View Mirror, R.	1
10	YYTW15006010	右后视镜橡胶套	Rubber Cover, R. Rear View Mirror	1
11	YYTW15006011	内六角螺栓M8×35	Inner Hex Bolt, M8×35	2
12	YYTW15006012	螺栓橡胶套	Rubber Collar, R. & L. Rear View Mirror	2
13	YYTW15006013	电起动开关	Electric Start Switch	1
14	YYTW15006014	大灯开关	Headlight Switch	1
15	YYTW15006015	喇叭开关	Horn Switch	1
16	YYTW15006016	转向开关	Turning Light Switch	1
17	YYTW15006017	变灯开关	Dimmer Switch	1
18	YYTW15006018	警示灯开关	Passing Switch	1

图 7	燃油箱	Model	JONWAY 150T-2
Draft 7	FUEL TANK	Part No.	YYTW15007000



NO.	Part NO.	Chinese Name	Description	QTY
1	YYTW15007001	汽油传感器	Fuel Level Sensor	1
2	YYTW15007002	传感器压板	Block Cap, Sensor	1
3	YYTW15007003	传感器油封	Oil Seal Gasket for Sensor	1
4	YYTW15007004	油箱	Fuel Tank Assy	1
5	GB/T6187.1-M6	法兰锁紧螺母M6	Flange Lock Nut, M6	1
6	GB/T6187.1-M8	法兰锁紧螺母M8	Flange Lock Nut, M8	2
7	GB/T5789-M6×16	螺栓M6×16	Bolt, M6×16	1
8	YYTW15007005	油箱盖	Cap Assy, Fuel Tank	1
9	YYTW15007006	汽油管	Fuel Tube	米
10	YYTW15007007	过滤器	Fuel Filter	1
11	YYTW15007008	油管卡簧φ5	Clip, Fuel Tube φ5	4
12	YYTW15007009	负压管	Vacuum Air Tube	米
13	YYTW15007010	油管卡簧φ4	Clip, Fuel Tube φ4	2
14	YYTW15007011	汽油泵	Oil Pump	1
15	GB/T5789-M6×16	螺栓M6×16	Bolt, M6×16	2
16	GB/T6187.1-M5	法兰锁紧螺母M5	Flange Lock Nut, M5	4

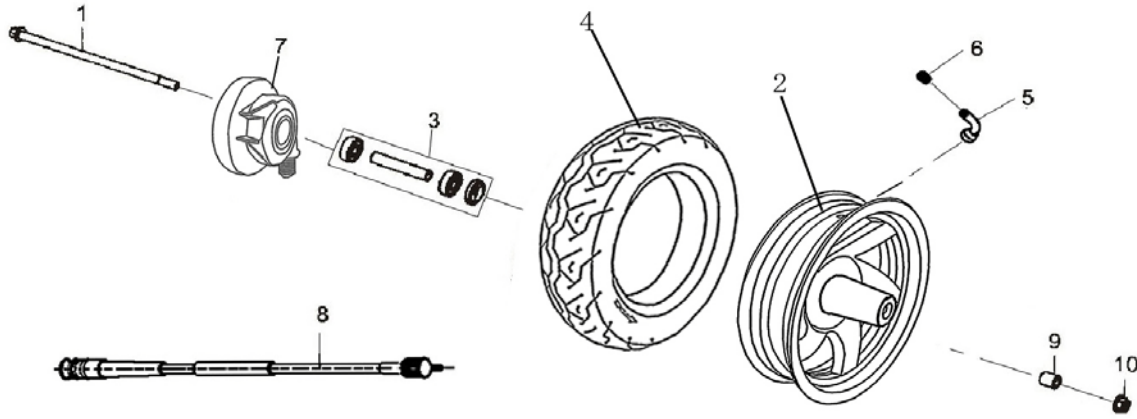
图 8	方向柱/前减震	Model	JONWAY 150T-2
Draft 8	STEERING / FRONT SHOCK ABSOR	Part No.	YYTW15008000



NO.	Part NO.	Chinese Name	Description	QTY
1	YYTW15008001	上钢碗全套	Top Protrude, Steel Ball Bowl Assy	1
2	YYTW15008002	下钢碗全套	Bottom Concave, Steel Ball Bowl Assy	1
3	YYTW15008003	下联板	Lower Bridge Assy, Steer Stem	1
4	GB/T5789-M10×1.25×45	螺栓M10×1.25×35	Bolt, M10×1.25×35	4
5	YYTW15008004	前左减震器	L. Front Shock Absorber	1
6	YYTW15008005	前右减震器	R. Front Shock Absorber	1
7	YYTW15008006	前轮挡泥板	Front Mudguard	1
8	YYTW15008007	里程线夹	Clip, Speedometer wire	1
9	YYTW15008008	液压油管线夹	Clip, Front Hydraulic Hose	1
10	GB/T818-M6×12	十字盘头螺钉M6×12	Screw, M6×12	2
11	GB/T5787-M6×20	法兰螺栓M6×20	Flange Bolt, M6×20	1
12	GB/T5787-M6×16	法兰螺栓M6×16	Flange Bolt, M6×16	3
13	GB/T6177.1-M6	螺母-M6	Nut, M6	1

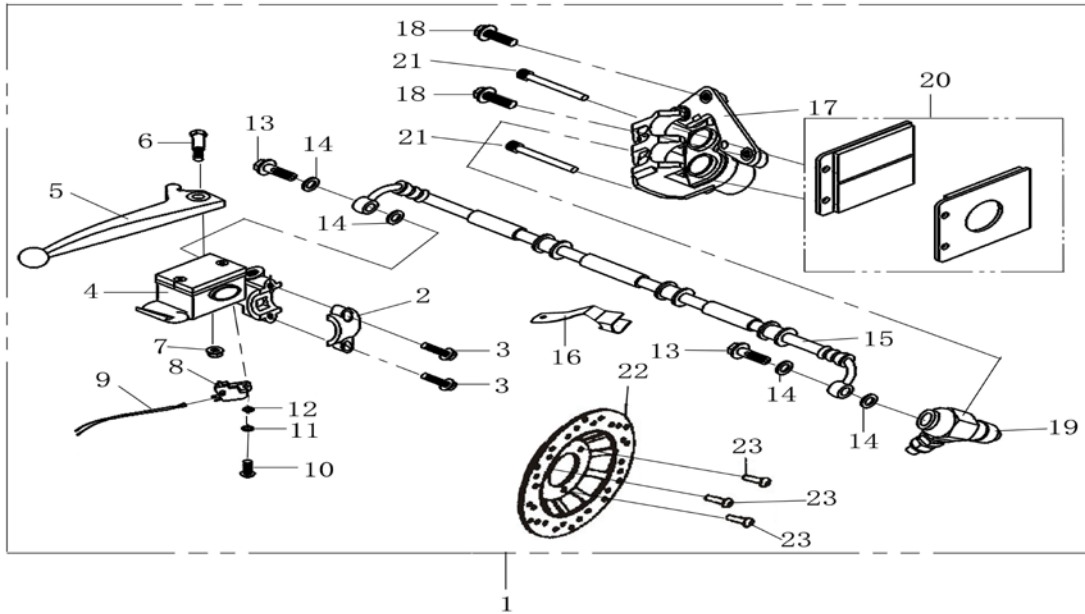


图 9	前轮	Model	JONWAY 150T-2
Draft 9	FRONT WHEEL	Part No.	YYTW15009000



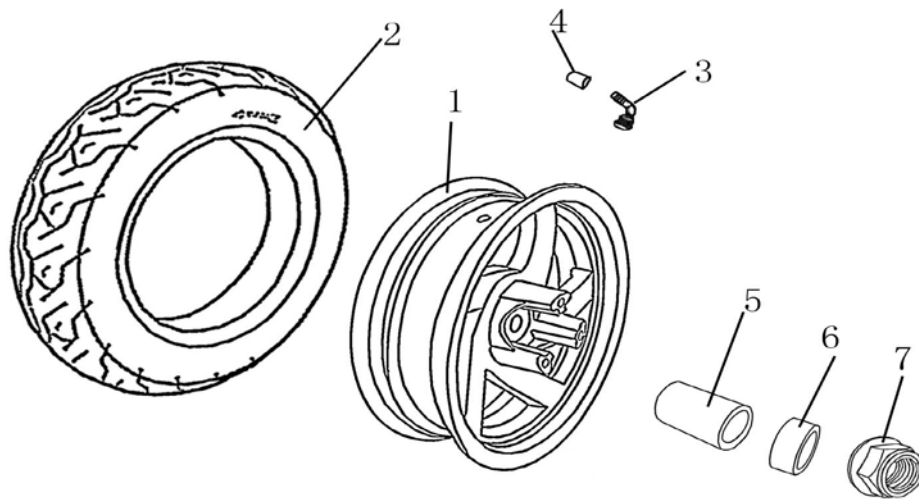
NO.	Part NO.	Chinese Name	Description	QTY
1	YYTW15009001	前轮轴M12×250	Axle, Front Wheel, M12×250	1
2	YYTW15009002	前轮辋	Rim, Front Wheel	1
3	YYTW15009003	前轮轴隔套组合	Separate Collar Set, Front Wheel Axle	1
4	YYTW15009004	前轮胎	Tyre, Front Wheel 130/60-13	1
5	YYTW15009005	气门嘴	Tubeless Valve	1
6	YYTW15009006	气门嘴盖	Cap, Tubeless Valve	1
7	YYTW15009007	传动器(车速里程计数器)	Count Gear Box, Odometer	1
8	YYTW15009008	里程表线	Cable, Odometer	1
9	YYTW15009009	衬套 φ12× φ25×21	Collar, φ12×φ25×21	1
10	GB/T6187.1-M12	法兰锁紧螺母M12	Flange Lock Nut, M12	1

图 10	前液压制动器	Model	JONWAY 150T-2
Draft 10	FRONT HYDRAULIC BRAKE	Part No.	YYTW15010000



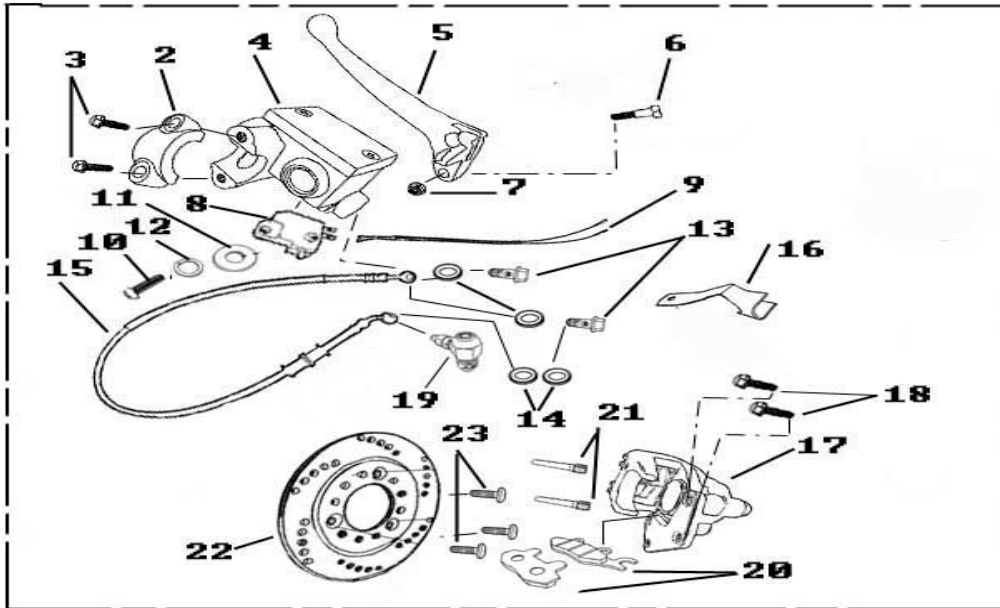
NO.	Part NO.	Chinese Name	Description	QTY
1	YYTW15010000	前液压制动器总成	Front Hydraulic Brake System	1
2	YYTW15010001	上泵压块	Cap, Front Hydraulic Cylinder	1
3	GB/T5789-M6×22	法兰螺栓M6×22	Flange Bolt, M6×22	2
4	YYTW15010002	前刹上泵	Front Hydraulic Cylinder Comp	1
5	YYTW15010003	前制动手柄	Lever, Right Handle	1
6	YYTW15010004	手柄螺栓	Bolt, Front Brake Lever	1
7	GB/T6187.1-M6	法兰锁紧螺母M6	Flange Lock Nut, M6	1
8	YYTW15010005	前刹车开关	Switch, Front Brake	1
9	YYTW15010006	前刹车开关线	Wire Cable, Front Brake Switch	1
10	GB/T818-M4×12	十字盘头螺钉M4×12	Screw, M4×12	1
11	GB/T95- φ4	平垫圈 φ4	Plain Washer, φ4	1
12	GB/T93- φ4	φ4弹簧垫圈	Spring Washer, φ4	1
13	YYTW15010007	油管连接螺栓	Connect Bolt, Hose, Front Brake	2
14	YYTW15010008	铜垫片	Copper Washer	4
15	YYTW15010009	液压油管	Hydraulic Hose, Front Brake	1
16	YYTW15010010	液压油管线卡	Clip, Front Hydraulic Hose	1
17	YYTW15010011	前刹下泵	Caliper Comp, Front Brake	1
18	GB/T5789-M8×30	法兰螺栓M8×30	Flange Bolt, M8×30	2
19	YYTW15010012	ABS组件	ABS Assy	1
20	YYTW15010013	摩擦片组件	Brake Plate Assy, Front Brake	1
21	YYTW15010014	前刹摩擦片固定螺栓	Bolt, Brake Plate Assy, Front Brake	2
22	YYTW15010015	碟刹盘组件	Brake Disc. Assy, Front Wheel	1
23	GB/T2672-M8×25	内六角螺栓M8×25	Inner Hex Bolt, M8×25	3
24	YYTW15010016	前刹下泵支架	Bracket, Caliper Comp, Front Brake	1

图 11	后轮	Model	JONWAY 150T-2
Draft 11	REAR WHEEL	Part No.	YYTW15011000



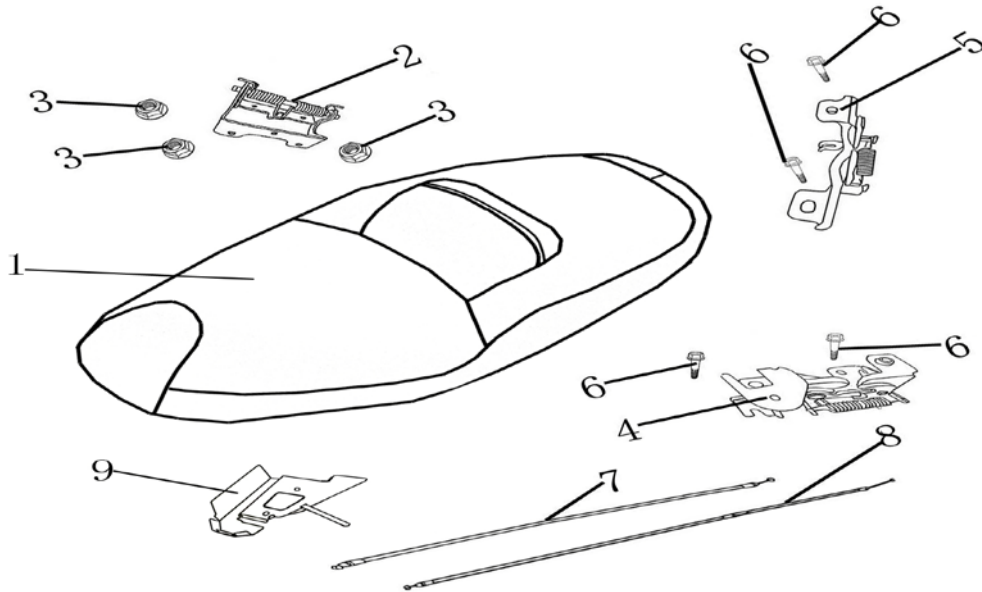
NO.	Part NO.	Chinese Name	Description	QTY
1	YYTW15011001	后轮辋	Rim, Rear Wheel	1
2	YYTW15011002	后轮胎	Tyre, Rear Wheel 130/60-13	1
3	YYTW15011003	气门嘴	Tubeless Valve	1
4	YYTW15011004	气门嘴盖	Cap, Tubeless Valve	1
5	YYTW15011005	衬套 $\phi 17.2 \times \phi 31 \times 59$	Collar, $\phi 17.2 \times \phi 31 \times 59$	1
6	YYTW15011006	衬套II $\phi 17.2 \times \phi 31 \times 6$	Collar II, $\phi 17.2 \times \phi 31 \times 6$	1
7	GB/T6187.1-M16	法兰锁紧螺母M16	Flange Lock Nut, M16	1

图 12	后液制动器	Model	JONWAY 150T-2
Draft 12	REAR HYDRAULIC BRAKE	Part No.	YYTW15012000



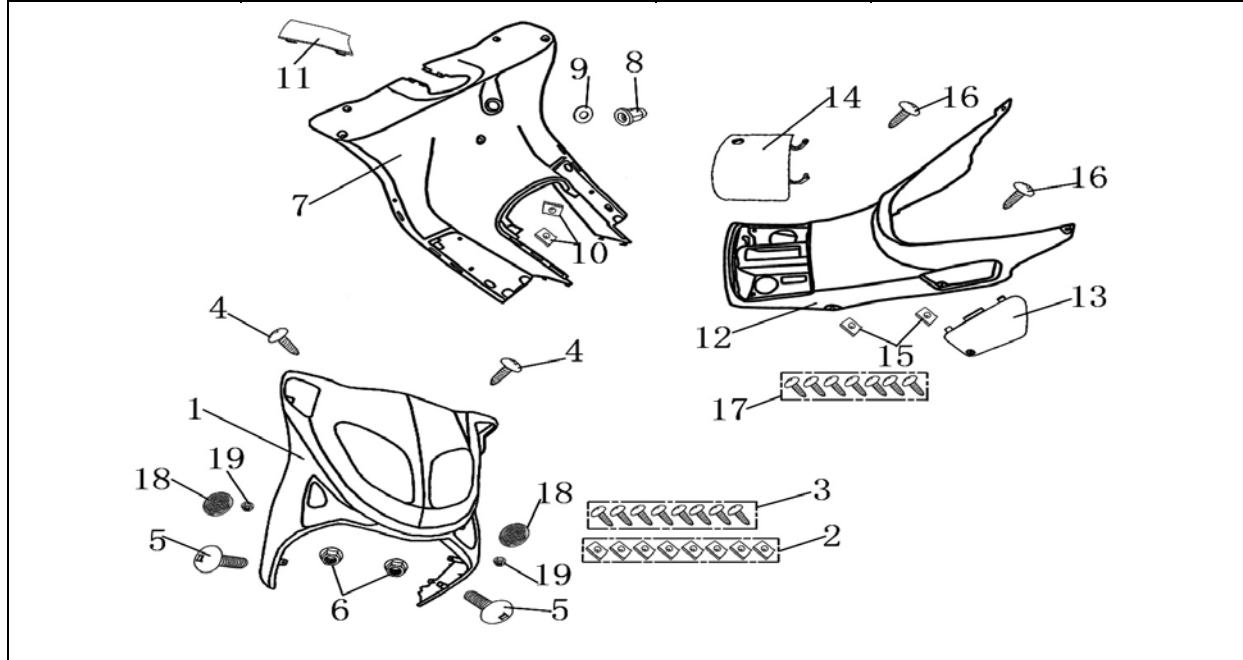
NO.	Part NO.	Chinese Name	Description	QTY
1	YYTW15012000	后液制动器总成	Rear Hydraulic Brake System	1
2	YYTW15012001	后刹上泵压块	Cap, Rear Hydraulic Cylinder	1
3	GB/T5789-M6×22	螺栓M6×22	Bolt, M6×22	2
4	YYTW15012002	后刹上泵	Rear Hydraulic Cylinder Comp	1
5	YYTW15012003	后制动手柄	Lever, Left Handle	1
6	YYTW15012004	手柄螺栓	Bolt, Rear Brake Lever	1
7	GB/T6187.1-M6	法兰锁紧螺母M6	Flange Lock Nut, M6	1
8	YYTW15012005	后刹车开关	Switch, Rear Brake	1
9	YYTW15012006	后刹车开关线	Wire Cable, Rear Brake Switch	1
10	GB/T818-M4×12	十字盘头螺钉M4×12	Cross Screw, M4×12	1
11	GB/T95- φ4	平垫圈 φ4	Plain Washer, φ4	1
12	GB/T93- φ4	φ4弹簧垫圈	Spring Washer, φ4	1
13	YYTW15012007	油管连接螺栓	Connect Bolt, Hose, Front Brake	2
14	YYTW15012008	铜垫片	Copper Washer	4
15	YYTW15012009	后液压油管	Hydraulic Hose, Rear Brake	1
16	YYTW15012010	液压油管线卡	Clip, Rear Hydraulic Hose	1
17	YYTW15012011	后刹下泵	Caliper Comp, Rear Brake	1
18	GB/T5789-M8×35	法兰螺栓M8×35	Bolt, M8×35	2
19	YYTW15012012	后刹下泵支架	Bracket, Caliper Comp, Rear Brake	1
20	YYTW15012013	摩擦片组件	Brake Plate Assy, Rear Brake	1
21	YYTW15012014	后刹摩擦片固定螺栓	Bolt, Brake Plate Assy, Rear Brake	2
22	YYTW15012015	后碟刹盘组件	Brake Disc. Assy, Rear Wheel	1
23	YYTW15012016	后碟刹盘紧固螺栓	Fixing Bolt, Rear Brake Disc.	3

图 13	座垫	Model	JONWAY 150T-2
Draft 13	SEAT	Part No.	YYTW15013000



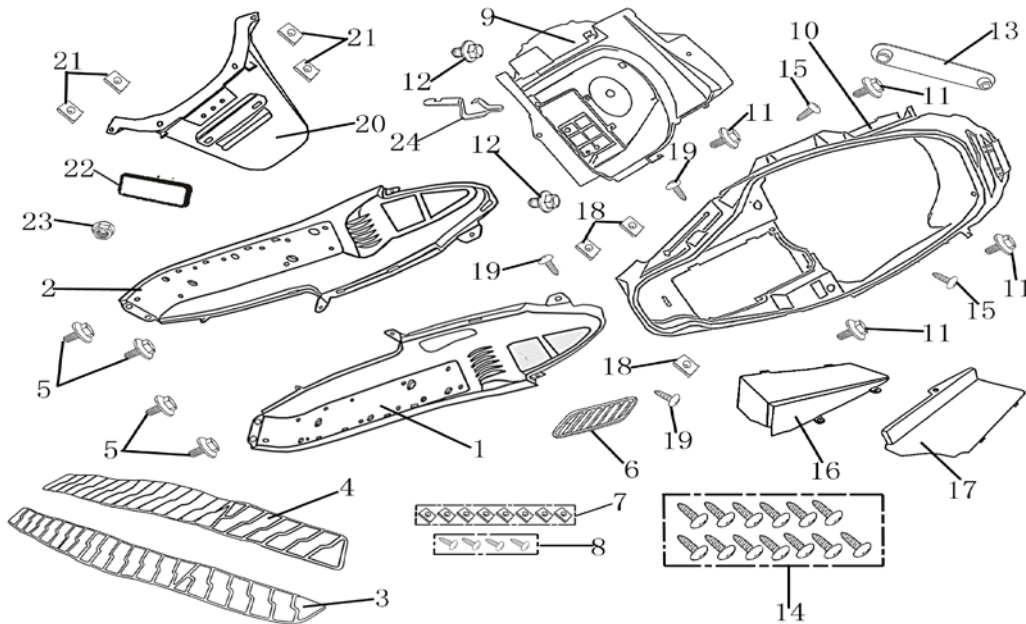
NO.	Part NO.	Chinese Name	Description	QTY
1	YYTW15013001	座垫	Seat Assy	1
2	YYTW15013002	座垫摇臂	Rocker Arm, Seat	1
3	GB/T6187.1-M6	法兰锁紧螺母M6	Flange Lock Nut, M6	3
4	YYTW15013003	坐垫锁支架A	Bracket A,Seat Lock	1
5	YYTW15013004	坐垫锁支架B	Bracket B,Seat Lock	1
6	GB/T5789-M6×12	法兰螺栓M6×12	Flange Bolt, M6×12	4
7	YYTW15013005	坐垫锁线A	Wire A,Seat Lock	1
8	YYTW15013006	坐垫锁线B	Wire B,Seat Lock	1
9	YYTW15013007	坐垫锁线A护板	Protecting Plate,Wire A,Seat Lock	1

图 14	前面罩/前置物箱	Model	JONWAY 150T-2
Draft 14	FRONT COVER/FRONT CARRIER	Part No.	YYTW15014000



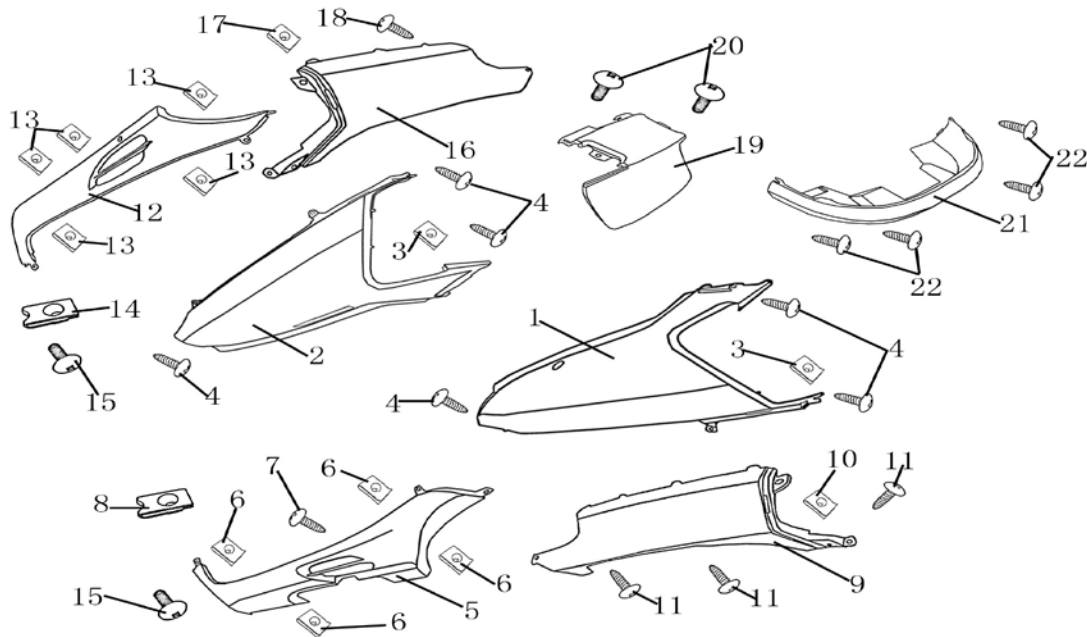
NO.	Part NO.	Chinese Name	Description	QTY
1	YYTW15014001	前面罩	Front Cover	1
2	YYTW15014002	卡片4.2mm	Clamp, 4.2mm	8
3	GB/T845-ST4.8×16	自攻螺钉ST4.8×16	Screw, Tapping ST4.8×16	8
4	GB/T845-ST4.2×12	自攻螺钉ST4.2×12	Screw, Tapping ST4.2×12	2
5	YYTW15014003	十字大盘头螺钉-M6X20	Cross Screw,M6×20	2
6	GB/T6177.1-M6	螺母-M6	Nut,M6	2
7	YYTW15014004	前置物箱	Front Carrier	1
8	GB/T802-M6	法兰螺母 -M6	Flange Nut,M6	1
9	GB/T95- φ6	平垫圈 φ6	Washer φ6	1
10	YYTW15014005	卡片4.2mm	Clamp, 4.2mm	2
11	YYTW15014006	前置物箱中心板	Center Plate,Front Carrier	1
12	YYTW15014007	中间护罩	Middle Cover	1
13	YYTW15014008	中间护罩小盖	Small Cover,Middle Cover	1
14	YYTW15014009	油箱锁盖	Lock Cover,Fuel Tank	1
15	YYTW15014010	卡片4.2mm	Clamp, 4.2mm	1
16	GB/T845-ST4.2×12	自攻螺钉ST4.2×12	Screw, Tapping ST4.2×12	2
17	GB/T845-ST4.8×16	自攻螺钉ST4.8×16	Screw, Tapping ST4.8×16	7
18	YYTW15014011	侧反射器	Side Reflector	2
19	GB/T6177.1-M5	螺母-M5	Nut,M5	2

图 15	脚踏底板/杂物箱/杂物箱外罩	Model	JONWAY 150T-2
Draft 15	FOOTREST PANEL/LUGGAGE/LAGGAGE COVER	Part No.	YYTW15015000



NO.	Part NO.	Chinese Name	Description	QTY
1	YYTW15015001	左脚踏底板	Footrest Base Panel ,L	1
2	YYTW15015002	右脚踏底板	Footrest Base Panel ,R	1
3	YYTW15015003	左脚踏橡皮	Footrest Cover,L	1
4	YYTW15015004	右脚踏橡皮	Footrest Cover,R	1
5	GB/T9074.14-M6X	带垫螺栓-M6X16	Bolt, M6×16	4
6	YYTW15015005	通风阁	Air Intake	1
7	YYTW15015006	夹片4.2mm	Clamp, 4.2mm	8
8	GB/T845-ST4.8×16	自攻螺钉ST4.8×16	Screw, Tapping ST4.8×16	4
9	YYTW15015007	杂物箱	Luggage Cabinet	1
10	YYTW15015008	杂物箱外罩	Luggage Cover	1
11	GB/T9074.14-M6X	带垫螺栓-M6X16	Bolt, M6×16	4
12	GB/T5787-M6×16	法兰螺栓M6X16	Flange Bolt, M6×16	2
13	YYTW15015009	螺栓固定支架	Fixing Bracket,Bolt	1
14	GB/T845-ST4.2×16	自攻螺钉ST4.2×16	Screw, Tapping ST4.2×16	13
15	GB/T845-ST4.8×16	自攻螺钉ST4.8×16	Screw, Tapping ST4.8×16	2
16	YYTW15015010	电瓶盖	Battery Cover	1
17	YYTW15015011	化油器观察盖	Observing Cover,Carburetor	1
18	YYTW15015012	夹片4.2mm	Clamp, 4.2mm	3
19	GB/T845-ST4.8×16	自攻螺钉ST4.8×16	Screw, Tapping ST4.8×16	3
20	YYTW15015013	后泥板	Rear Fender	1
21	YYTW15015014	夹片4.2mm	Clamp, 4.2mm	4
22	YYTW15015015	后反射器	Rear Reflector	1
23	GB/T6177.1-M5	螺母-M5	Nut,M5	1
24	YYTW15015016	头盔挂钩	Helmet Hook	

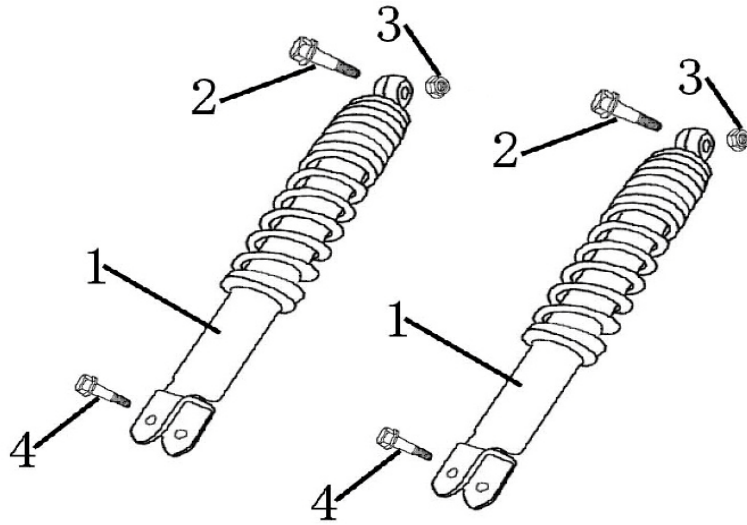
图 16	车体护板	Model	JONWAY 150T-2
Draft 16	SIDE & REAR COVERS	Part No.	YYTW15016000



NO.	Part NO.	Chinese Name	Description	QTY
1	YYTW15016001	左装饰板	L. Decorating Cover	1
2	YYTW15016002	右装饰板	R. Decorating Cover	1
3	YYTW15016003	夹片4.2mm	Clamp, 4.2mm	2
4	GB/T845-ST4.8×16	自攻螺钉4.8×16	Screw, Tapping ST4.8×16	6
5	YYTW15016005	左边条前段	Front Side Panel,L	1
6	YYTW15016006	夹片4.2mm	Clamp, 4.2mm	4
7	GB/T845-ST4.2×16	自攻螺钉4.2×16	Screw, Tapping ST4.2×16	1
8	YYTW15016006	夹片-M6	Clamp, M6	1
9	YYTW15016007	左边条后段	Rear Side Panel,L	1
10	YYTW15016006	夹片4.2mm	Clamp, 4.2mm	1
11	GB/T845-ST4.8×16	自攻螺钉4.8×16	Screw, Tapping ST4.8×16	3
12	YYTW15016006	右边条前段	Front Side Panel,R	1
13	YYTW15016007	夹片4.2mm	Clamp, 4.2mm	5
14	YYTW15016006	夹片-M6	Clamp,M6mm	1
15	GB/T818-M6X16	十字盘头螺栓-M6X16	Cross Bolt,M6×16	2
16	YYTW15016007	右边条后段	Rear Side Panel,R	1
17	YYTW15016008	夹片4.2mm	Clamp, 4.2mm	1
18	GB/T845-ST4.8×16	自攻螺钉4.8×16	Screw, Tapping ST4.8×16	1
19	YYTW15016010	后中心装饰板	Rear Central Decorating Panel	1
20	YYTW15016011	十字大扁头螺钉-M6X16	Cross Screw,M6×16	2
21	YYTW15016012	后护条	Rear Shield	1
22	GB/T845-ST4.8×16	自攻螺钉4.8×16	Screw, Tapping ST4.8×16	4

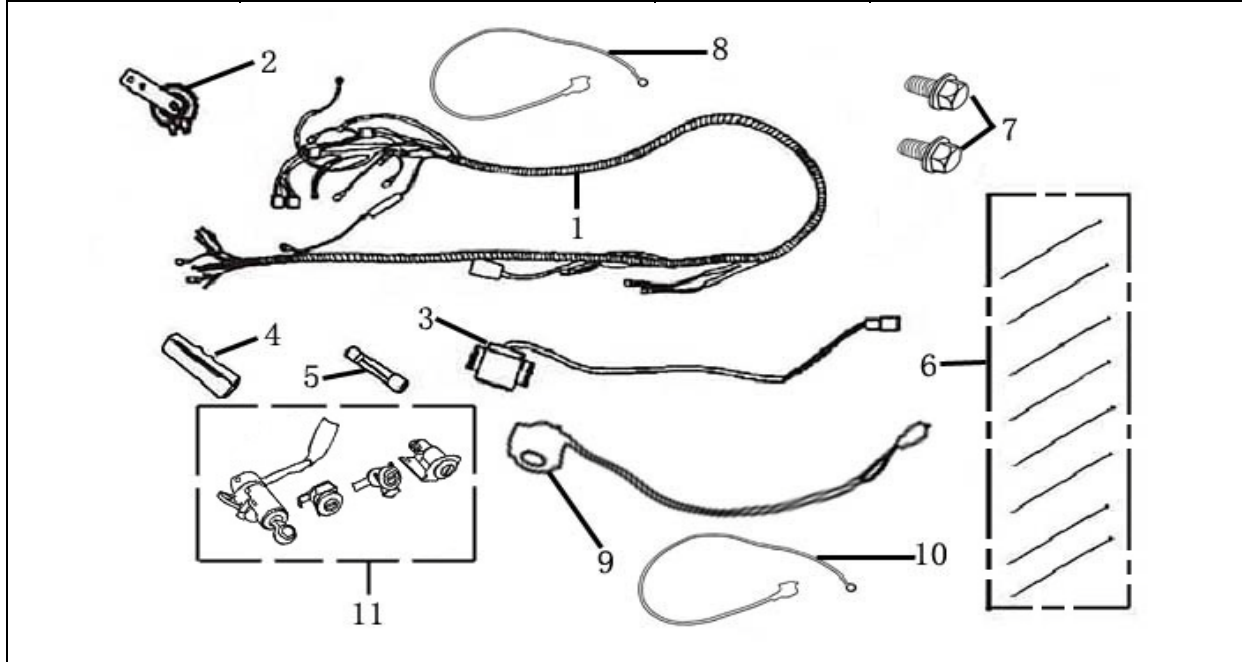


图 17	后减震器	Model	JONWAY 150T-2
Draft 17	REAR SHOCK ABSORBER	Part No.	YYTW15018000



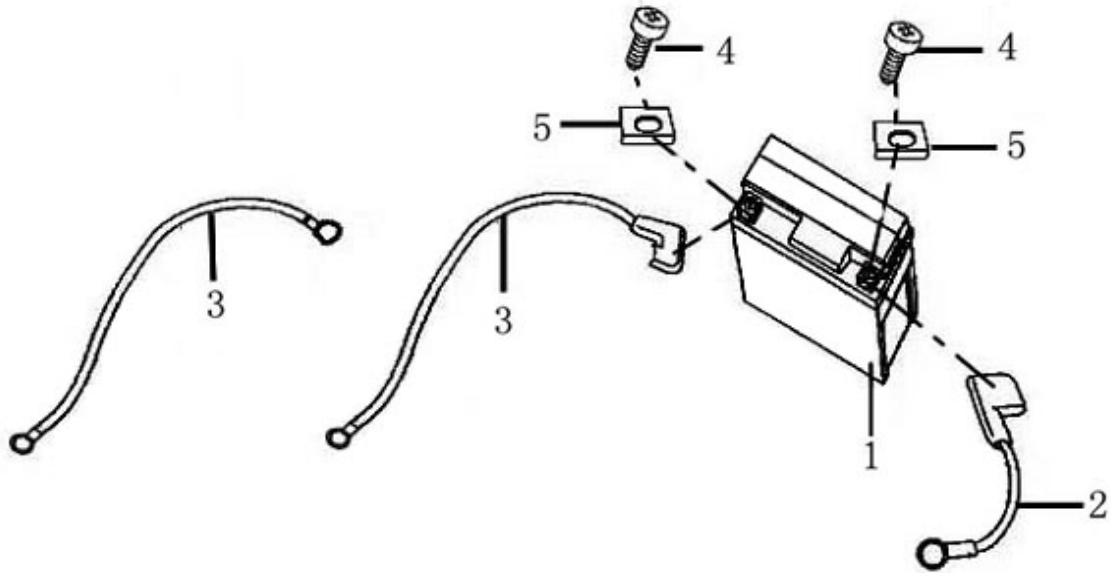
NO.	Part NO.	Chinese Name	Description	QTY
1	YYTW15017001	后减震器	Rear Shock Absorber Assy	2
2	GB/T5789-M10×40	法兰螺栓M10×40	Flange Bolt, M10×40	2
3	GB/T6187.1-M10	法兰锁紧螺母M10	Flange Lock Nut M10	2
4	GB/T5789-M10×32	法兰螺栓M10×32	Flange Bolt, M10×32	2

图 18	主电缆	Model	JONWAY 150T-2
Draft 18	WIRE HARNESS	Part No.	YYTW15018000



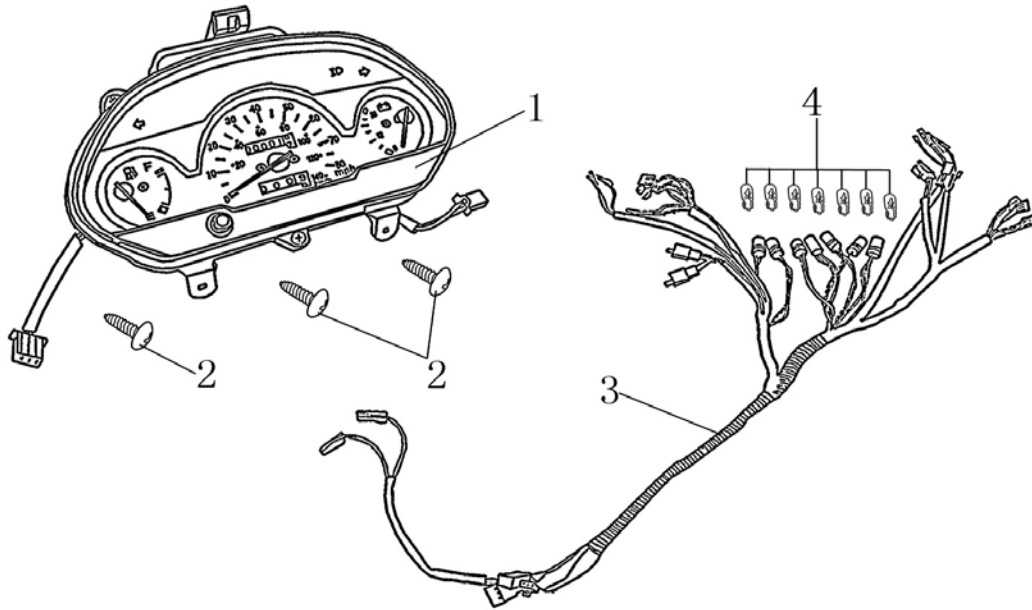
NO.	Part NO.	Chinese Name	Description	QTY
1	YYTW15018001	主电缆	Wire Harness	1
2	YYTW15018002	喇叭	Horn	1
3	YYTW15018003	闪光器	Winker Relay	1
4	YYTW15018004	保险盒	Fuse Box	1
5	YYTW15018005	保险丝	Fuse 7A	2
6	YYTW15018006	扎带	Strip Set	8
7	GB/T5789-M6×12	法兰螺栓M6×12	Flange Bolt,M6×12	2
8	YYTW15018007	继电器线	Wire,Relay	1
9	YYTW15018008	继电器	Relay	1
10	YYTW15018009	负极线	Cathode Wire	1
11	YYTW15018010	套锁	Lock Set	1

图 19	蓄电池	Model	JONWAY 150T-2
Draft 19	BATTERY	Part No.	YYTW15019000



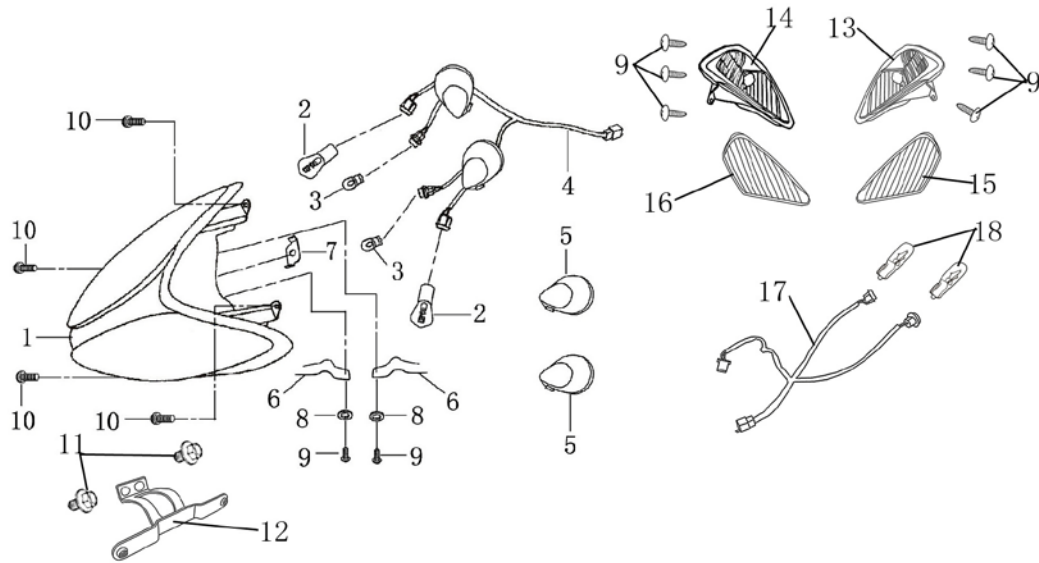
NO.	Part NO.	Chinese Name	Description	QTY
1	YYTW15019001	蓄电池12V7AH	Battery 12V7An	1
2	YYTW15019002	正极线	Cable, Positive Pole	1
3	YYTW15019003	负极线	Cable, Grounding	2
4	GB/T29.2-M6×10	十字槽凹穴六角头螺栓M6×10	Cross Bolt, M6×10	2
5	YYTW15019004	方形螺母M6	Square Nut,M6	2

图 20	仪表	Model	JONWAY 150T-2
Draft 20	METER	Part No.	YYTW15021000



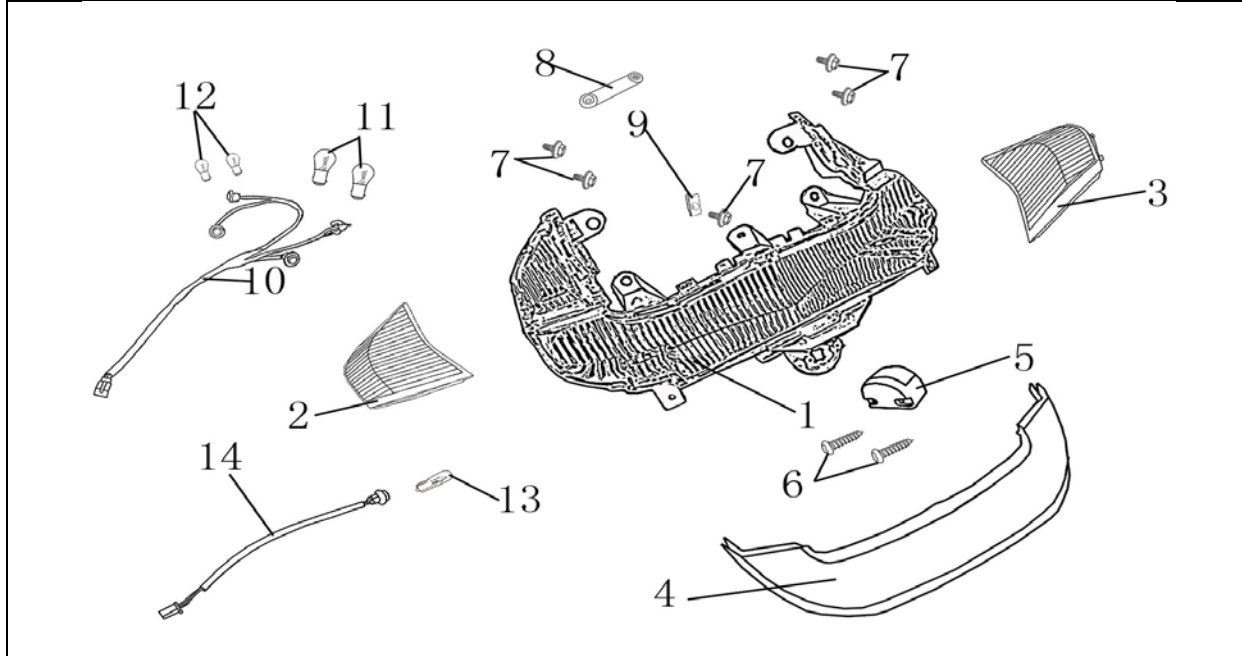
NO.	Part NO.	Chinese Name	Description	QTY
1	YYTW15020001	仪表组件	Meter Assy	1
2	GB/T845-ST4.2×16	自攻螺钉ST4.2×16	Screw, Tapping ST4.2×16	3
3	YYTW15020002	仪表电缆	Wire Cable, Meter	1
4	YYTW15020003	仪表灯灯泡12V3W	Bulb, Meter Light 12V3W	6

图 21	前照灯	Model	JONWAY 150T-2
Draft 21	HEADLIGHT	Part No.	YYTW15021000



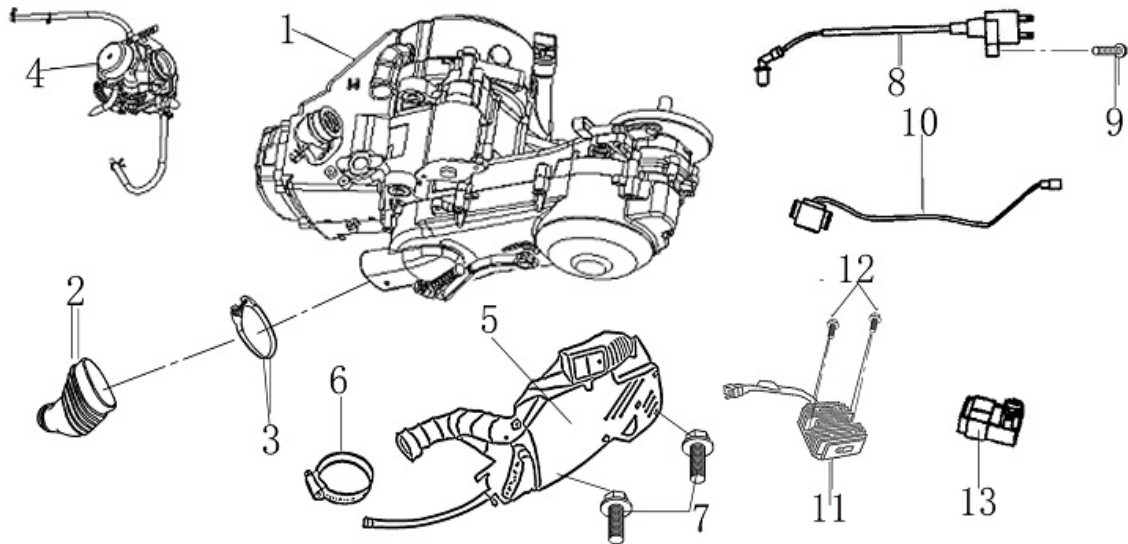
NO.	Part NO.	Chinese Name	Description	QTY
1	YYTW15021001	前大灯	Headlight	1
2	YYTW15021002	大灯灯泡12V35W/35	Bulb, Headlight 12V35W/35W	2
3	YYTW15021003	夜小灯灯泡12V5W	Bulb, Position Light 12V 5W	2
4	YYTW15021004	大灯线	Wire,Headlight	2
5	YYTW15021005	防尘橡胶盖	Dustproof Rubber Cover	2
6	YYTW15021006	灯座卡簧	Clip, Light Holder	2
7	YYTW15021007	灯泡固定垫片	Fixed washer of bulb	2
8	GB/T95- φ5	垫片 φ5	Washer, φ5	2
9	GB/T845-ST4.2×12	自攻螺钉ST4.2×12	Screw, Tapping ST4.2×12	8
10	GB/T5787-M6X20	法兰螺栓-M6X20	Flange Bolt,M6×20	
11	GB/T5787-M6X12	法兰螺栓-M6X12	Flange Bolt,M6×12	
12	YYTW15021008	大灯支架	Bracket,Headlight	
13	YYTW15021009	前左转向灯灯座	Turning Light Holder,Front,L	1
14	YYTW15021010	前右转向灯灯座	Turning Light Holder,Front,R	1
15	YYTW15021011	前左转向灯罩	Turning Light Cover,Front,L	1
16	YYTW15021012	前右转向灯罩	Turning Light Cover,Front,R	1
17	YYTW15021013	转向灯线	Wire,Turning Light	1
18	YYTW15021014	转向灯灯泡12V10W	Bulb,Turning Light 12V 10W	

图 22	尾灯	Model	JONWAY 150T-2
Draft 22	REAR LIGHT	Part No.	YYTW15022000



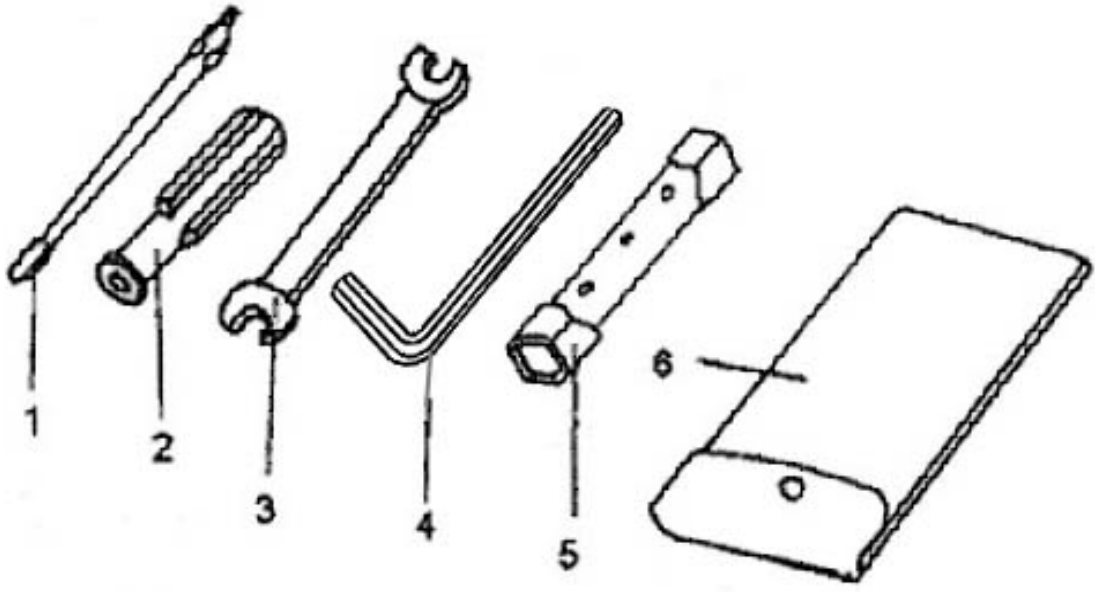
NO.	Part NO.	Chinese Name	Description	QTY
1	YYTW15022001	后尾灯总成	Rear Light Holder	1
2	YYTW15022002	后左转向灯罩	Turning Light Cover,Rear,L	1
3	YYTW15022003	后右转向灯罩	Turning Light Cover,Rear,R	1
4	YYTW15022004	尾灯罩	Rear Light Cover	1
5	YYTW15022005	后牌照灯罩	Licence Light Cover,Rear	1
6	GB/T845-ST3.8×12	自攻螺钉ST3.8×12	Screw, Tapping ST3.8×12	2
7	GB/T9074.14-M6X	带垫螺栓-M6X16	Bolt,M6×16	5
8	YYTW15022006	尾灯螺栓固定支架	Fixing Bracket,Rear Light Bolt	2
9	YYTW15022007	夹片M6	Clamp, M6	1
10	YYTW15022008	后尾灯/转向灯线	Wire,Rear Light/Turning Light	1
11	YYTW15022009	后尾灯灯泡12V/5W/21W	Bulb, Rear Light(12V/5w/21w)	2
12	YYTW15022010	后转向灯灯泡12V/10W	Bulb, L. & R. Turning Light (12V,10w)	2
13	YYTW15022011	后牌照灯灯泡	Bulb,Rear Licence Light	1
14	YYTW15022012	后牌照灯线	Wire,Rear Licence Light	1

图 23	发动机总成/空滤器	Model	JONWAY 150T-2
Draft 23	ENGINE COMP & AIR CLEANER	Part No.	YYTW15025000



NO.	Part NO.	Chinese Name	Description	QTY
1	YYTW15025001	发动机总成	Engine Assy	1
2	YYTW15025002	吸风管	Air Inlet Pipe	1
3	YYTW15025003	卡箍	Clip	1
4	YYTW15025004	化油器	Carburetor	1
5	YYTW15025005	空滤器	Air Cleaner	1
6	YYTW15025006	卡箍	Fixing Ring	1
7	GB/T5787-M6×16	法兰螺栓M6×16	Flange BoltM6×16	2
8	YYTW15025007	高压包	Ignition Coil Assy	1
9	GB/T818-M6×25	十字盘头螺钉M6×25	Cross Screw, M6×25	1
10	YYTW15025008	继电器	Starter Relay	1
11	YYTW15025009	稳压器	Rectifier	1
12	GB/T5787-M6×25	法兰螺栓M6×25	Flange Bolt, M6×25	2
13	YYTW15025008	CDI(点火器)	CDI	1

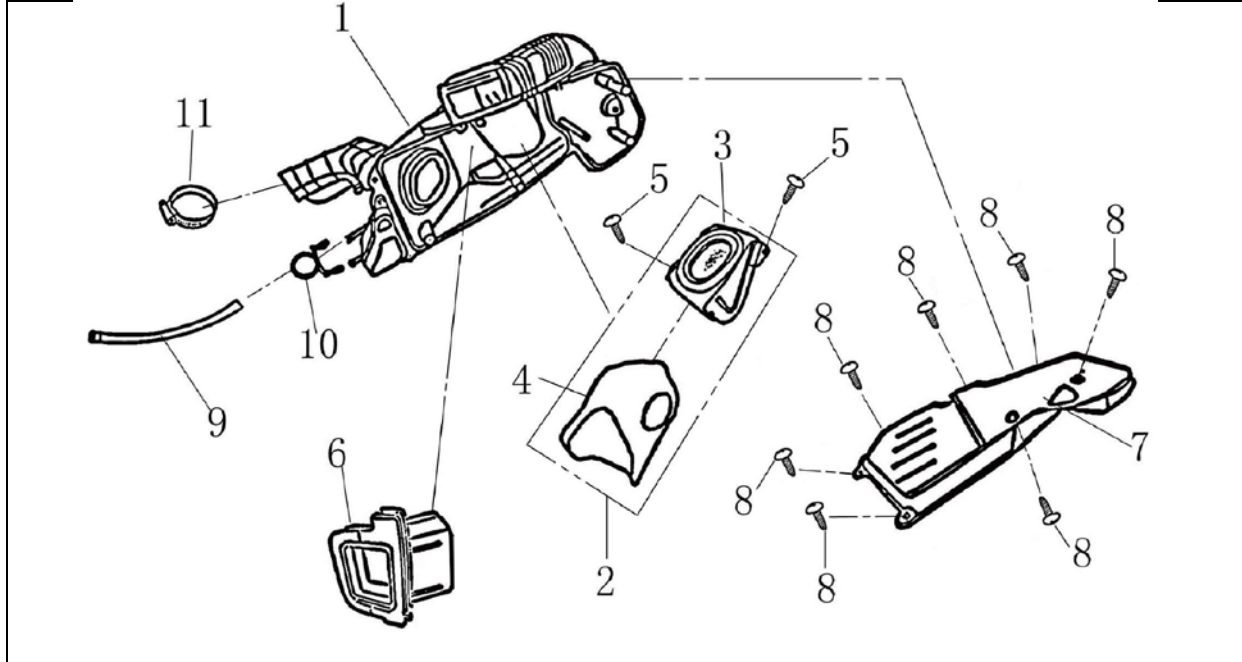
图 24	随车工具	Model	JONWAY 150T-2
Draft 24	TOOLS ASSY	Part No.	YYTW15024000



NO.	Part NO.	Chinese Name	Description	QTY
1	YYPT00024001	双头螺丝刀	Double Ended Screw Driver	1
2	YYPT00024002	起子手柄	Screw Driver Socket	1
3	YYPT00024003	8-10开口扳手	Double Ended Spanner 8-10	1
4	YYPT00024004	内六角扳手	Inner Hex Spanner	1
5	YYPT00024005	火花塞套筒	Spark Plug Socket	1
6	YYPT00024006	工具袋	Tools Bag	1



图 25	空滤器总成	Model	JONWAY 150T-2
Draft 25	TOOLS ASSY	Part No.	YYTW15025000



NO.	Part NO.	Chinese Name	Description	QTY
1	YYTW15025001	空滤器体	Body, Air Cleaner	1
2	YYTW15025002	滤芯组合	Filter Core Assy	1
3	YYTW15025003	纸质滤芯	Paper Filter Core	1
4	YYTW15025004	海绵滤芯	Sponge Filter	1
5	GB/T845-ST4.8×12	自攻螺钉ST4.8×12	Screw, Tapping ST4.8×12	2
6	YYTW15025005	进气口	Air Inlet Mouth	1
7	YYTW15025006	空滤器外壳	Case, Air Ceaner	1
8	GB/T845-ST4.8×12	自攻螺钉ST4.8×12	Screw, Tapping ST4.8×12	7
9	YYTW15025007	空滤器出油管	Oil Overflow Tube	1
10	YYTW15025008	卡簧	Clip	1
11	YYTW15025009	卡箍	Fixing Ring	1