

# DIAMO® VELOCITY 150 BODY

## PARTS CATALOG

First Edition January 2008



---

Copyright © 2004-2008 LS MotorSports, LLC. Reproduction without written permission is completely forbidden.

*The information and diagrams included in this catalog are the exclusive property of LS MotorSports, LLC and may not be reproduced in any media without the express written consent of LS MotorSports, LLC.*


*For more information contact:*

LS MotorSports, LLC  
10215 S Sam Houston Pkwy W, Suite 100  
Houston, TX 77071  
281-277-6140

*Information contained in this publication is subject to change without notice.  
For the most up to date information please contact DIAMO USA or an Authorized Dealer*



*[www.DIAMOUSA.com](http://www.DIAMOUSA.com)*



Copyright © 2004-2008 LS MotorSports, LLC. Reproduction without written permission is completely forbidden.

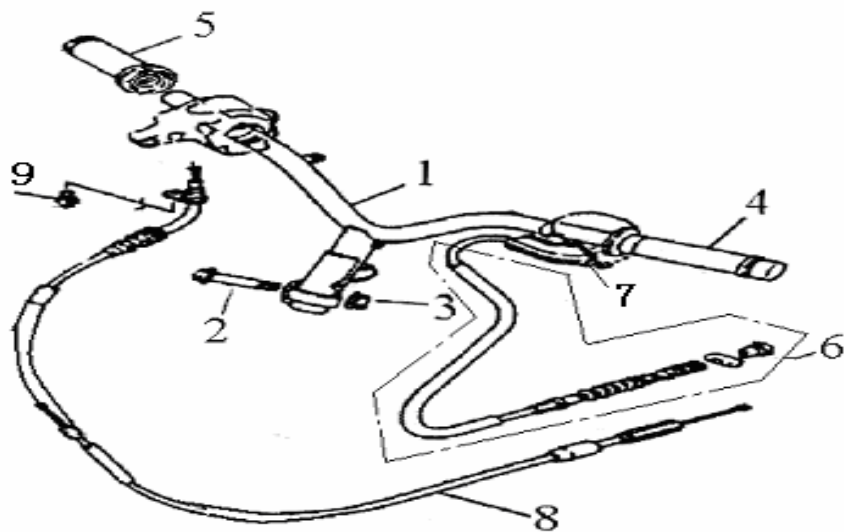
## CONTENTS

PAGE	TITLE
4	DOCUMENTS
5	STEERING
6	HANDLEBAR SWITCHES
7	FRONT FORK
8	FRONT WHEEL
9	FRONT DISC BRAKE
10	EXHAUST
11	AIR CLEANER
12	FUEL TANK
13	SEAT
14	REAR WHEEL
15	FRAME
16	REAR SHOCK
17	REAR CARRIER
18	FRONT FENDER
19	HANDLE COVER
20	FRONT COVER
21	LEG SHIELD
22	FOOTREST/STAND
23	SIDE COVER
24	SPEEDOMETER
25	FRONT TURN SIGNAL & HEAD LIGHT
26	TAIL LIGHT & REAR TURN SIGNAL
27	ELECTRICAL I
28	ELECTRICAL II
29	TOOL KIT
30	KICKSTART ARM

**Fig. 00 Documents**

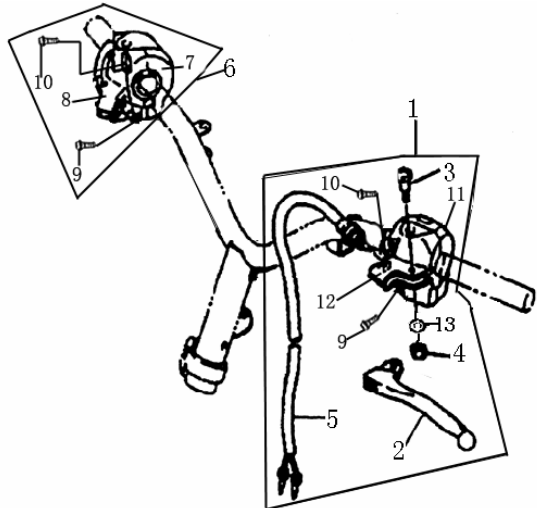
Ref	Code	Part Number	Description	Qty
1		07-020150-0001	Owners Manual	1
2		07-020150-0002	Parts Catalog CD	1
3		07-020150-0004	Service Manual	1

Fig. 19 Steering



Ref	Code	Part Number	Description	Qty
1	40100BMBT001	07-020150-1901	HANDLEBAR	1
2	B01091004565	07-020150-1902	FLANGE BOLT M10X1.25X45	1
3	B04171012565	07-020150-1903	U NUT M10X1.25	1
4	40001BMBT000	07-020150-1904	LFT GRIP	1
5	40210BMBT000	07-020150-1905	RGT GRIP	1
6	40270J4FT000	07-020150-1906	RR BRAKE CABLE	1
7	40008BM0T000	07-020150-1907	JACKET, RR BRAKE CABLE	1
8	40300J4FT000	07-020150-1908	THROTTLE CABLE	1
9	B02000501025	07-020150-1909	PAN HEAD SCREW M5X10	1

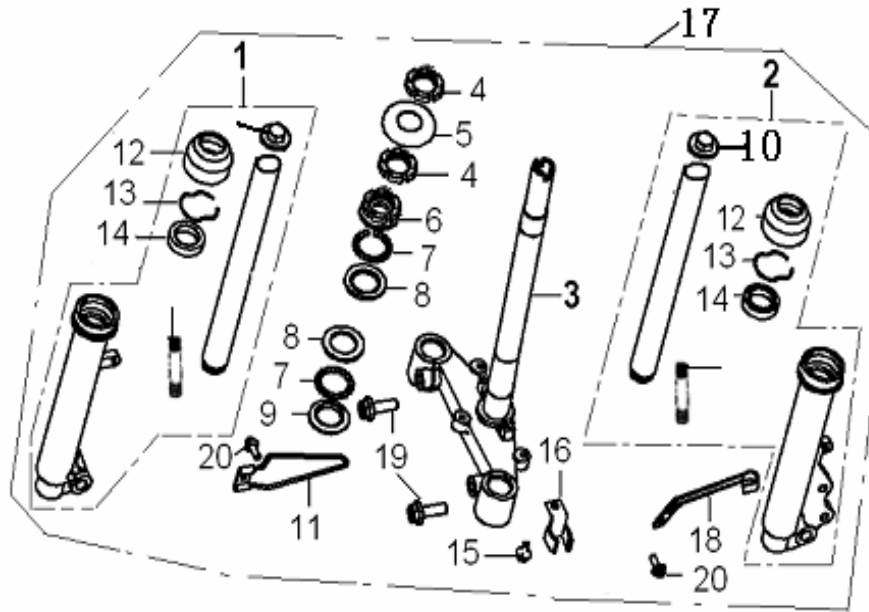
Fig. 20 Handlebar Switches



Ref	Code	Part Number	Description	Qty
1	40500BM0T000	07-020150-2001	LEFT COMBINATION SWITCH	1
2	40002BM0T000	07-020150-2002	LEFT BRAKE LEVER	1
3	40004BMAT000	07-020150-2003	LEVER MOUNTING SCREW	1
4	B04000500065	07-020150-2004	NUT 5MM	1
5	91700BMAT000	07-020150-2005	BRAKE SWITCH, RR	1
6	40600BM0T000	07-020150-2006	RIGHT COMBINATION SWITCH	1
7	40610BM0T000	07-020150-2007	NA	1
8	40620BM0T000	07-020150-2008	NA	1
9	B02000502025	07-020150-2009	PAN HEAD SCREW M5X20	2
10	B02000502525	07-020150-2010	PAN HEAD SCREW M5X25	2
11	40510BM0T000	07-020150-2011	NA	1
12	40520BM0T000	07-020150-2012	NA	1
13	B07000000505	07-020150-2013	WASHER 5	1

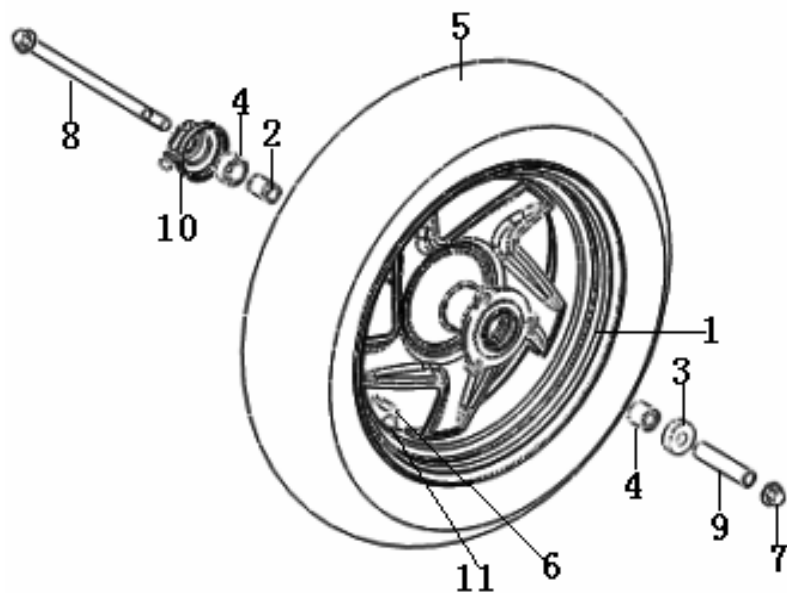


Fig. 21 Front Fork



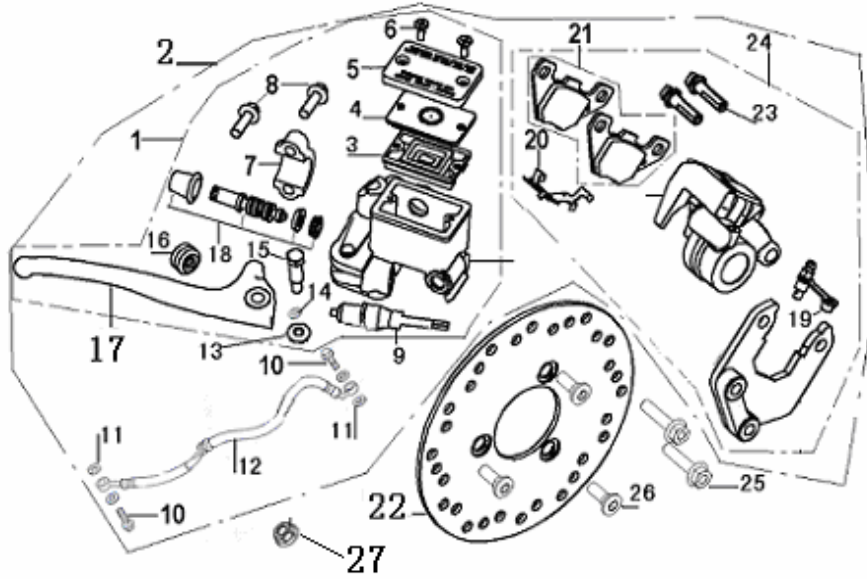
Ref	Code	Part Number	Description	Qty
1	43300J4GT000	07-020150-2101	FR RGT FORK	1
2	43200J4GT000	07-020150-2102	FR LFT FORK	1
3	43100BMBT003	07-020150-2103	STEERING STEM	1
4	43008BMBT000	07-020150-2104	NUT II	2
5	43005BMBT001	07-020150-2105	BALL RACE COVER	1
6	43001BMBT002	07-020150-2106	BALL RACE, CONNECTING	1
7	B06010150000	07-020150-2107	STEEL BALL 5	42
8	43003BMBT000	07-020150-2108	BALL RACE, 2	2
9	43004BMBT000	07-020150-2109	BALL RACE, 4	1
10	43204BMBT001	07-020150-2110	CAP BOLT	2
11	43150BMBT000	07-020150-2111	CLIP, SPEEDOMETER CABLE	1
12	43290K00P000	07-020150-2112	DUST SEAL	2
13	43207K00P000	07-020150-2113	CLIP	2
14	43260K00P000	07-020150-2114	OIL SEAL	2
15	B01090601265	07-020150-2115	BOLT M6 x 12	1
16	43035BMBT000	07-020150-2116	HOLDER, BRAKE HOSE 2	1
17	43000J4GT000	07-020150-2117	FRONT FORK ASSY	1
18	43021BMT003	07-020150-2118	HOLDER, BRAKE HOSE 1	1
19	B01091003065	07-020150-2119	FLANGE BOLT 10X1.25X30	2
20	B01070601665	07-020150-2120	BOLT 6X16	2

Fig. 22 Front Wheel



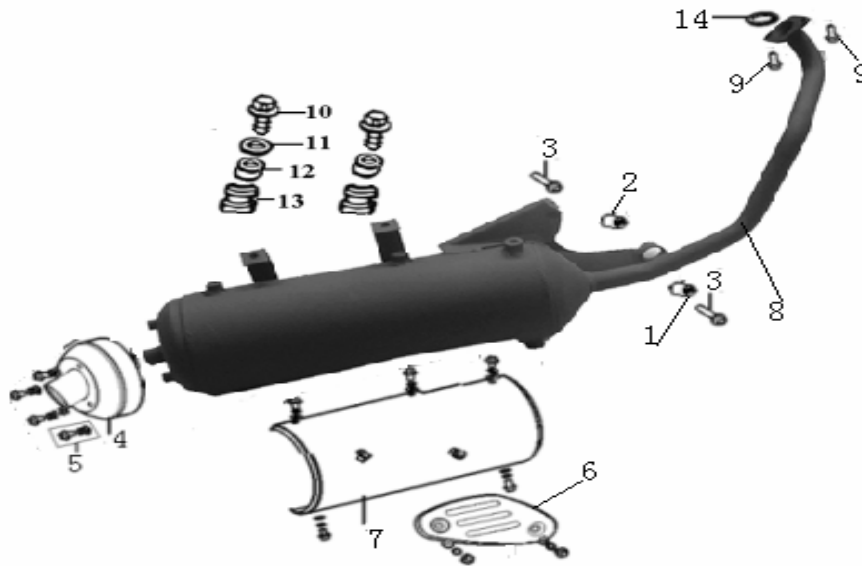
Ref	Code	Part Number	Description	Qty
1	44100BM0TB40	07-020150-2201	FR RIM COMP. 3.5x12"	1
2	44600BM0T910	07-020150-2202	COLLAR	1
3	44300BM0T000	07-020150-2203	OIL SEAL 22X35X7	1
4	B12016020100	07-020150-2204	BALL BEARING 6201-2RS	2
5	B140107D12AB	07-020150-2205	TIRE 120/70-12	1
6	B1403Z201100	07-020150-2206	TIRE VALVE	1
7	B04171212563	07-020150-2207	FLANGE U NUT M12X1.25	1
8	44004G4CT000	07-020150-2208	FR WHEEL AXLE M12X1.25X224	1
9	44005BM0T000	07-020150-2209	COLLAR	1
10	44200J5BT000	07-020150-2210	SPEEDOMETER GEAR	1
11	B1404Z2011C0	07-020150-2211	CAP, VALVE	1

Fig. 23 Front Disc Brake



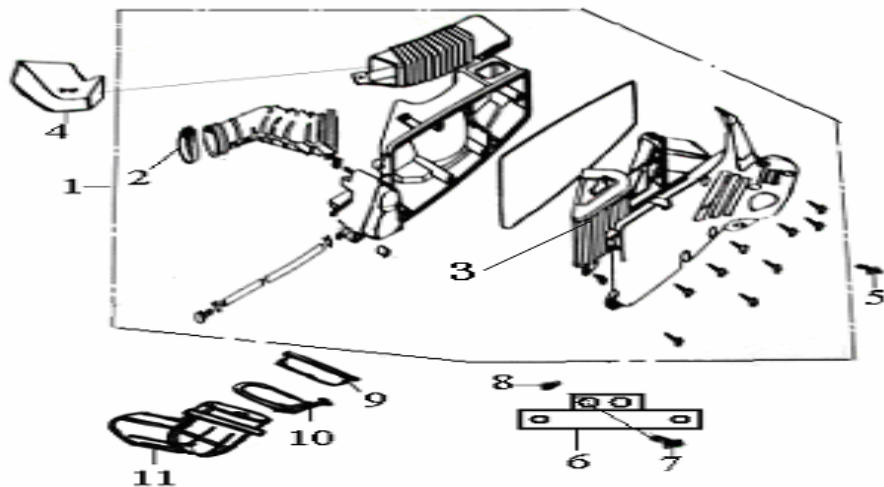
Ref	Code	Part Number	Description	Qty
1	45400BMBTB30	07-020150-2301	MASTER CYLINDER, FR	1
2	45000J4FTRN2	07-020150-2302	DISC BRAKE ASSY, FR	1
3	45011J1DT000	07-020150-2303	RESERVOIR DIAPHRAGM	1
4	45013J1DT000	07-020150-2304	WASHER, CYLINDER	1
5	45012BMBT000	07-020150-2305	RESERVOIR CAP	1
6	B02010401025	07-020150-2306	FLAT HEAD SCREW	2
7	45023J1DT000	07-020150-2307	MASTER CYLINDER BRACKET	1
8	B01070602365	07-020150-2308	BOLT M6X23MM	2
9	45300J3AT000	07-020150-2309	BRAKE SWITCH, FR	1
10	45037J00P000	07-020150-2310	UNION BOLT	2
11	45029J00P000	07-020150-2311	PLATE WASHER	4
12	45200BMBT001	07-020150-2312	FR BRAKE HOSE	1
13	B04160600065	07-020150-2313	NUT 6MM	1
14	B07000000605	07-020150-2314	SPRING WASHER	1
15	45024J1CT000	07-020150-2315	BOLT 6MM	1
16	45057G0KP000	07-020150-2316	TENSION SPRING, LEVER	1
17	45022J3AT000	07-020150-2317	BRAKE LEVER, FR	1
18	45140J00P000	07-020150-2318	PISTON, MASTER CYLINDER	1
19	45021J00P000	07-020150-2319	BLEED SCREW CAP	1
20	45017G0CP000	07-020150-2320	PAD SUPPORT, 1	1
21	45110J4FT000	07-020150-2321	BRAKE PAD KIT	1pair
22	45033BMBTC20	07-020150-2322	BRAKE DISC	1
23	45053G0CP000	07-020150-2323	GUIDE POLE	2
24	45500J4FTRN0	07-020150-2324	CALIPER ASSY	1
25	45039J4FT000	07-020150-2325	BOLT M8X36	2
26	45036BMAT000	07-020150-2326	BOLT	3
27	B04171012563	07-020150-2327	FLANGE NUT	3

Fig. 24 Exhaust



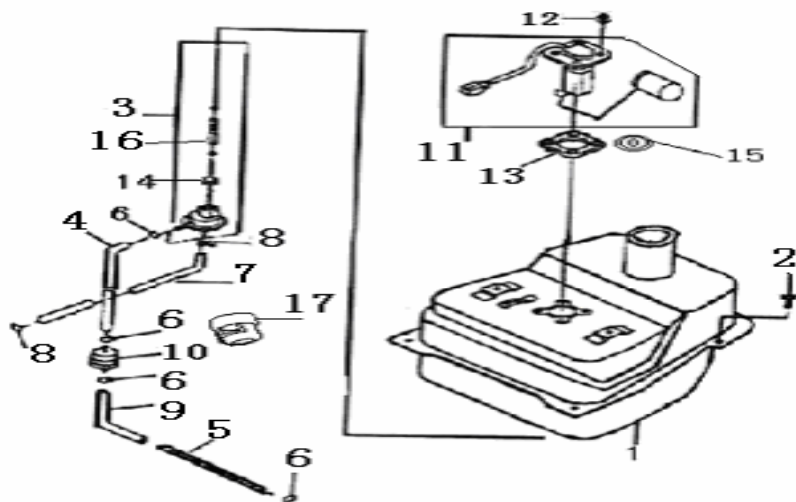
Ref	Code	Part Number	Description	Qty
1	47740J0ET000	07-020150-2401	WASHER ASSY., FIXING	1
2	47033J4AT000	07-020150-2402	ORIENTATION BUSH	1
3	B01090805565	07-020150-2403	FLANGE BOLT 8X55	2
4	47780J4AT000	07-020150-2404	COVER COMP., RR.	1
5	B13040601004	07-020150-2405	SCEW 6X10	10
6	47023BM0T000	07-020150-2406	COVER, DECORATION	1
7	47760BM0T000	07-020150-2407	COVER ASSY., DECORATING	1
8	47100J4HT000	07-020150-2408	MUFFLER JOINTING ASSY.(with catalyst)	1
9	47006J0ET000	07-020150-2409	NUT	2
10	B01020602525	07-020150-2410	SCREW 6X25	2
11	B07020000605	07-020150-2411	PLATE WASHER 6MM	2
12	47312J4FT000	07-020150-2412	BUSH	2
13	45726J4FT000	07-020150-2413	CUSHION RUBBER	2
14	47800J4AT000	07-020150-2414	EXHAUST PIPE GASKET	1

Fig. 25 Air Cleaner



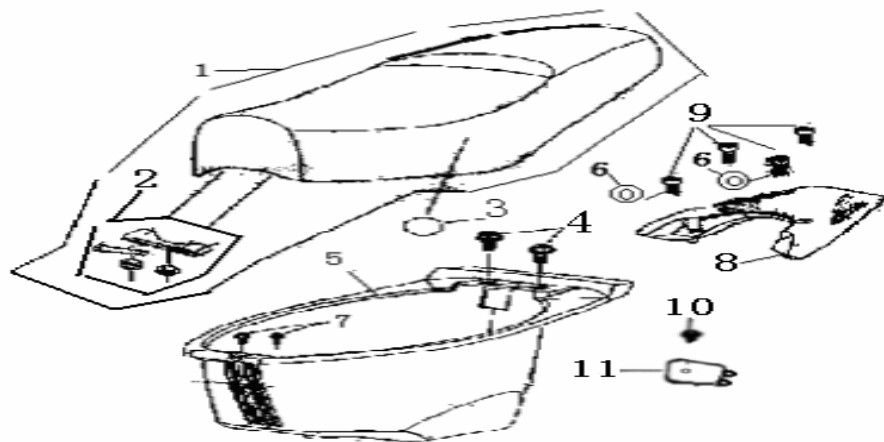
Ref	Code	Part Number	Description	Qty
1	49100J4FT000	07-020150-2501	AIR CLEANER ASSY	1
2	49350J0ET000	07-020150-2502	CLAMP, AIR CLEANER	1
3	49200J4FT000	07-020150-2503	FILTER ELEMENT	1
4	49006J4FT000	07-020150-2504	SLEEVE	1
5	B01090603065	07-020150-2505	FLANGE BOLT 6x30	1
6	49025J4FT000	07-020150-2506	BRACKET, AIR CLEANER	1
7	B01090602565	07-020150-2507	BOLT6X25MM	1
8	B04070600065	07-020150-2508	NUT 6MM	1
9	62510J4FT000	07-020150-2509	PRE-FILTER, AIR INTAKE PIPE	1
10	08430J0ET000	07-020150-2510	CLAMP, AIR INTAKE PIPE	1
11	62500J4FT000	07-020150-2511	AIR INTAKE PIPE	1

Fig. 26 Fuel Tank



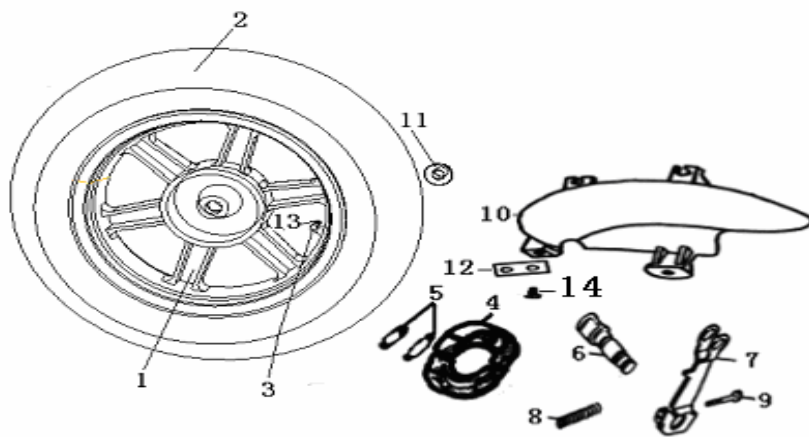
Ref	Code	Part Number	Description	Qty
1	50100J4FT001	07-020150-2601	FUEL TANK COMP	1
2	B01090601665	07-020150-2602	FLANGE BOLT M6X16	4
3	50300BM0T000	07-020150-2603	FUEL PETCOCK ASSY	1
4	50301BM0T000	07-020150-2604	FUEL HOSE, 1 (4.5X8.5)	1
5	50316BMBT000	07-020150-2605	SPRING	1
6	50307BM0T000	07-020150-2606	CLIP 8	4
7	50302BM0T000	07-020150-2607	VACUUM HOSE, 1 (4X8)	1
8	50306BM0T000	07-020150-2608	CLIP 7	2
9	50303BM0T000	07-020150-2609	FUEL HOSE, 2 (4.5X8.5)	1
10	50340J0ET000	07-020150-2610	FUEL FILTER	1
11	50800J4FT000	07-020150-2611	FUEL SENDING UNIT	1
12	50801BM0T000	07-020150-2612	BOLT 5X16	4
13	50004BMBT000	07-020150-2613	GASKET, FUEL SENDING UNIT	1
14	50312J0ET000	07-020150-2614	SEAL RING	1
15	B07020000505	07-020150-2615	WASHER 5	4
16	50352BM0T000	07-020150-2616	FUEL SCREEN, FUEL PETCOCK	1
17	50391J0ET000	07-020150-2617	JACKET, STRAINER	1

Fig. 27 Seat



Ref	Code	Part Number	Description	Qty
1	51100BMBT007	07-020150-2701	SEAT ASSY - GTX150	1
2	51080BMBT001	07-020150-2702	SEAT HINGE	1
3	08032BMT000	07-020150-2703	O-RING	1
4	08011H60X000	07-020150-2704	BOLT M6X14	2
5	51004BMBT000	07-020150-2705	LUGGAGE BOX	1
6	B07030000805	07-020150-2706	WASHER 8	2
7	08017J4AT000	07-020150-2707	BOLT W/WASHER M6X20	2
8	52011BMKTB40	07-020150-2708	RR CARRIER RACK	1
9	B02050804565	07-020150-2709	SCREW M8X45	4
10	B05074801305	07-020150-2710	TAPPING SCREW	1
11	51005BMBT000	07-020150-2711	COVER LUGGAGE BOX	1

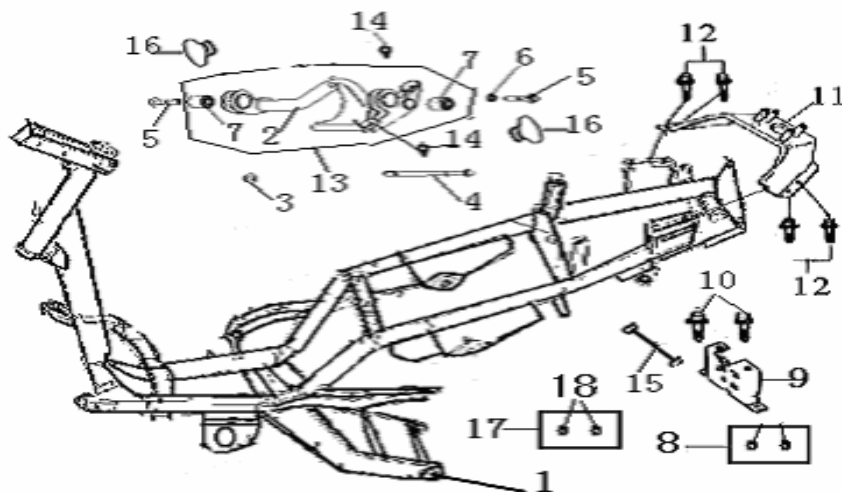
Fig. 28 Rear Wheel



Ref	Code	Part Number	Description	Qty
1	54100J4FTB40	07-020150-2801	RR RIM 3.5X12"	1
2	B140108D12BB	07-020150-2802	TIRE 130/70-12	1
3	B1403Z201100	07-020150-2803	TIRE VALVE	1
4	54200J4AT000	07-020150-2804	BRAKE SHOE KIT	1pair
5	54001J4AT000	07-020150-2805	SPRING, BRAKE SHOE	2
6	54003J4AT000	07-020150-2806	CAM SHAFT, 2	1
7	54250J4AT002	07-020150-2807	CAM SHAFT LEVER, ASSY	1
8	54008J4AT000	07-020150-2808	TENSION SPRING	1
9	B01090603565	07-020150-2809	BOLT 6X35MM	1
10	65701J4FT001	07-020150-2810	REAR FENDER	1
11	B04171601563	07-020150-2811	U NUT 16X1.5MM	1
12	65771J4FT000	07-020150-2812	BRACKET, RR FENDER	1
13	B1404Z2011C0	07-020150-2813	CAP, VALVE	1
14	B01090601265	07-020150-2814	BOLT 6X12MM	1

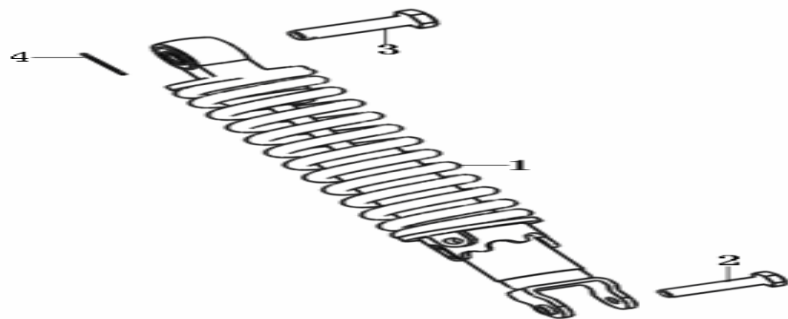


Fig. 29 Frame



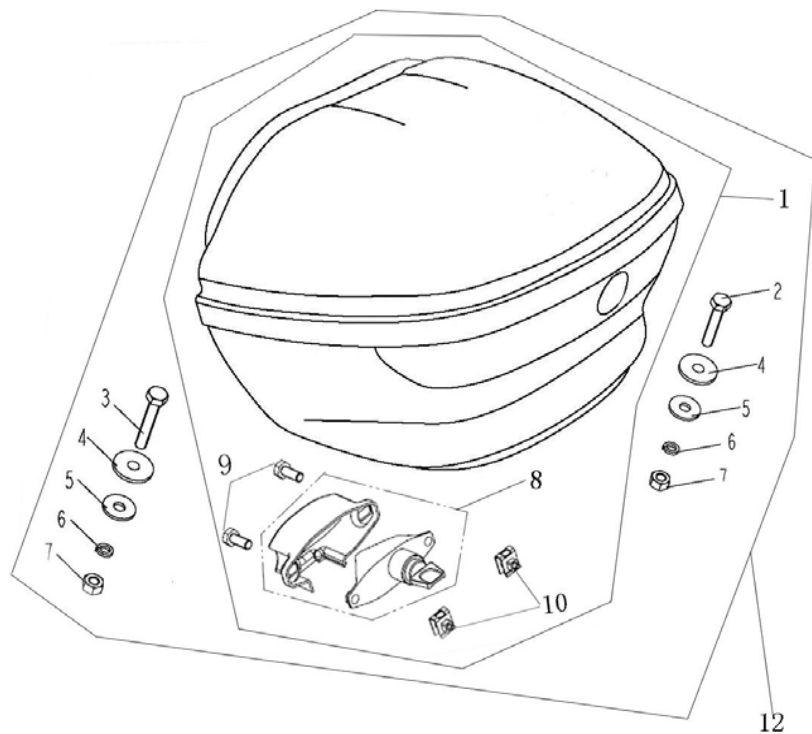
Ref	Code	Part Number	Description	Qty
1	57100J4FT004	07-020150-2901	FRAME	1
2	58320J4FT000	07-020150-2902	ENGINE MOUNT	1
3	B04171012565	07-020150-2903	NUT	1
4	58301J0ET000	07-020150-2904	ENGINE MOUNT BOLT, 2	1
5	58305J0ET000	07-020150-2905	BOLT M10X1.25X55	2
6	58307J0ET000	07-020150-2906	BUSH, LEFT	1
7	58351J0ET000	07-020150-2907	BUSHING, ENGINE MOUNT	2
8	57002J4HT000	07-020150-2908	ANTI-TAMPERING PLATE	1
9	58800BM0T000	07-020150-2909	SEAT LATCH	1
10	B01090602565	07-020150-2910	FLANGE BOLT 6X25	2
11	57080BMKT000	07-020150-2911	CARRIER BRACKET	1
12	B01090601265	07-020150-2912	FLANGE BOLT 6X12	5
13	58360J4FT000	07-020150-2913	ENGINE MOUNT ASSY	1
14	58342J0ET000	07-020150-2914	BUFFER, RUBBER	2
15	58900BMBT000	07-020150-2915	CABLE, SEAT	1
16	58353J4FT000	07-020150-2916	CAP, DECORATION	2
17	57001J4HT000	07-020150-2917	FRAME BODY NO. PLATE	1
18	B100432007P0	07-020150-2918	RIVET3.2X7	2

Fig. 30 Rear Shock



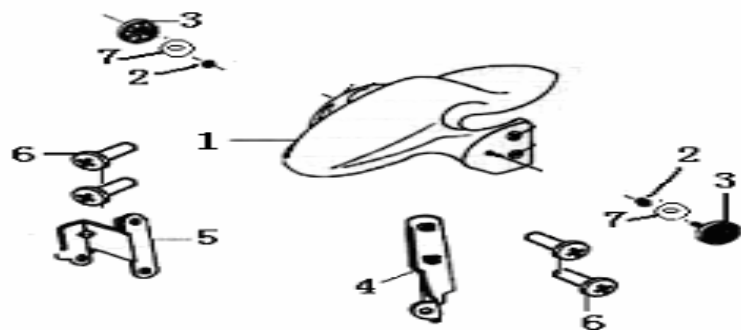
Ref	Code	Part Number	Description	Qty
1	63000J4FTC11	07-020150-3001	RR SHOCK	1
2	63015J0ET000	07-020150-3002	FLANGE BOLT M8X31	1
3	B01141004063	07-020150-3003	BOLT W/HOLE M10X1.25X40	1
4	63016B0DT000	07-020150-3004	SPLIT PIN	1

Fig. 31 Rear Carrier



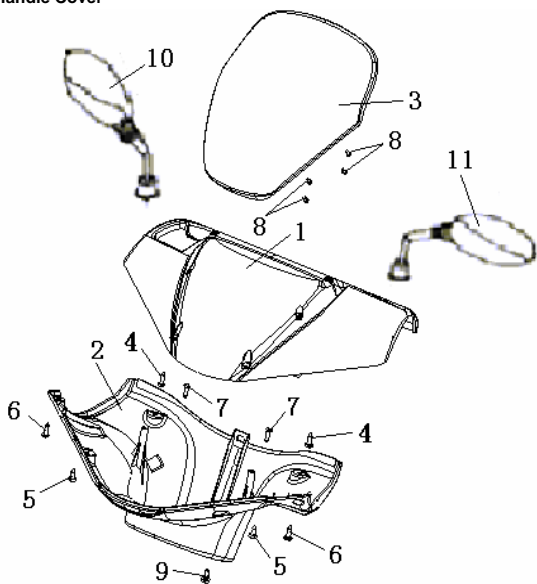
Ref	Code	Part Number	Description	Qty
1	52210BMBTB40	07-020150-3101	NA	1
2	B01010603033	07-020150-3102	BOLT M6x30	2
3	B01010603533	07-020150-3103	BOLT M6x35	2
4	52221BMBT000	07-020150-3104	WASHER	4
5	B07020000603	07-020150-3105	WASHER 6	4
6	B07000000603	07-020150-3106	SPRING WASHER 6	4
7	B04000600043	07-020150-3107	NUT M6	4
8	88600BMBT000	07-020150-3108	LOCK, REAR CARRIER	1
9	B01070601663	07-020150-3109	SCREW M6x16	2
10	52910BMBT000	07-020150-3110	NUT CLIPPING M6	2
11	05591BMBT000	07-020150-3111	NA	1
12	52200BMBTB40	07-020150-3112	REAR CARRIER ASSY	1

Fig. 32 Front Fender



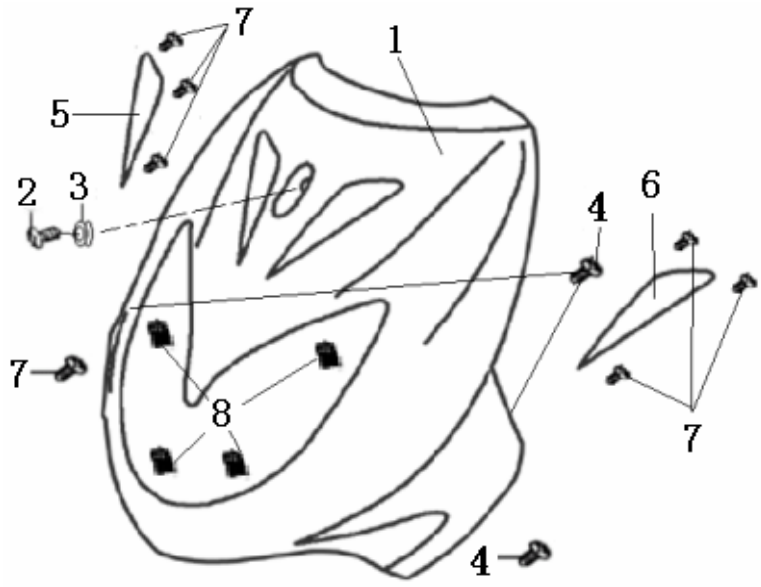
Ref	Code	Part Number	Description	Qty
1	65101BMBTB40	07-020150-3201	FRONT FENDER	1
2	B04000500063	07-020150-3202	FLANGE NUT 5MM	2
3	86300BMMT000	07-020150-3203	FRONT REFLECTOR	2
4	65130BMBT000	07-020150-3204	FRONT FENDER BRACKET, 1	1
5	65140BMBT000	07-020150-3205	FRONT FENDER BRACKET, 2	1
6	65114BMBT000	07-020150-3206	SCREW W/WASHER 6X16	4
7	B07030000503	07-020150-3207	WASHER 5	2

Fig. 33 Handle Cover



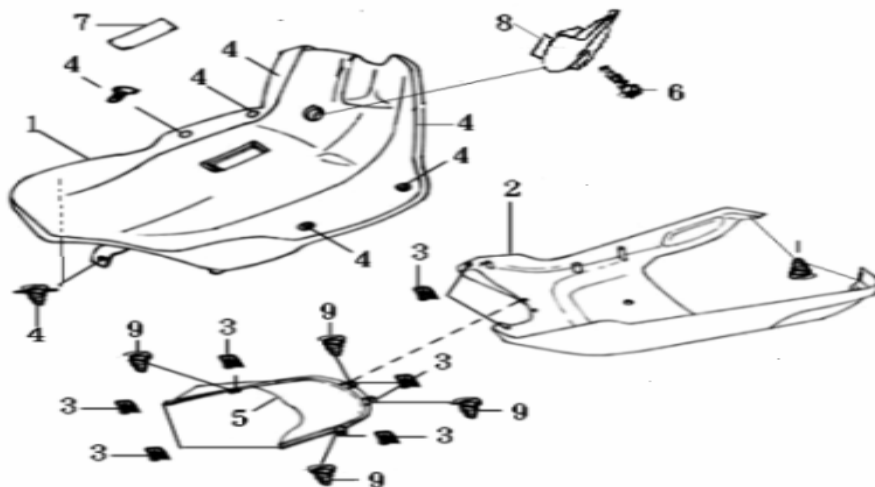
Ref	Code	Part Number	Description	Qty
1	65201BMBTB42	07-020150-3301	HANDLE COVER, 1,	1
2	65202BMBT000	07-020150-3302	HANDLE COVER, 2	1
3	65203BMBT000	07-020150-3303	WINDSCREEN	1
4	B05075001605	07-020150-3304	SCREW 5X16	2
5	B05075001205	07-020150-3305	SCREW 5X12	2
6	B05074001205	07-020150-3306	SCREW 4X12	2
7	B05074001605	07-020150-3307	SCREW 4X16	2
8	B05073001005	07-020150-3308	SCREW 3X10	4
9	B13010501405	07-020150-3309	SCREW 5X14	1
10	40470BMBT002	07-020150-3310	REAR VIEW MIRROR LFT	1
11	40460BMBT002	07-020150-3311	REAR VIEW MIRROR RGT	1

Fig. 34 Front Cover



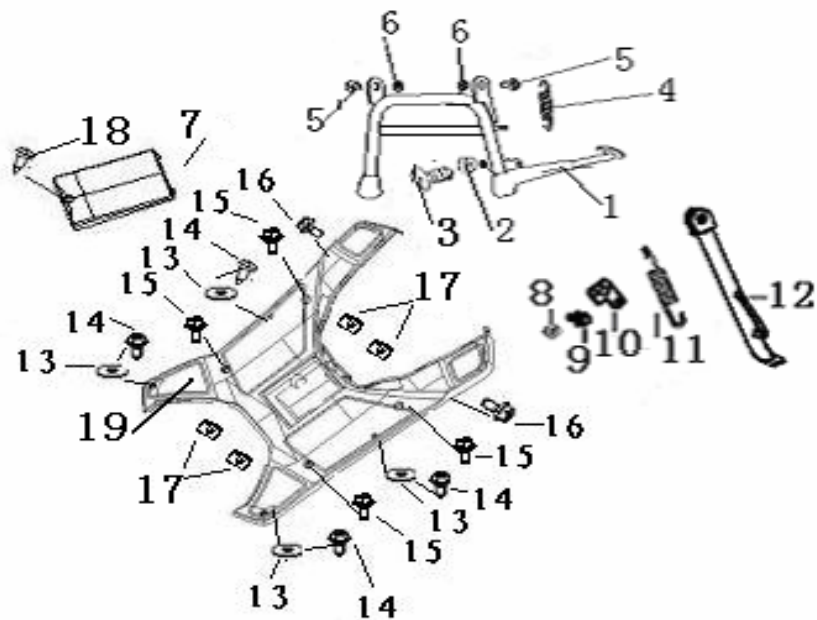
Ref	Code	Part Number	Description	Qty
1	65301BMBT4A	07-020150-3401	FRONT COVER	1
2	65314BMBT000	07-020150-3402	SCREW	1
3	08027J4AT000	07-020150-3403	PLASTIC WASHER	1
4	B05074201605	07-020150-3404	SCREW 4X16	4
5	65367BMBT000	07-020150-3405	COVER RGT	1
6	65366BMBT000	07-020150-3406	COVER LFT	1
7	B05074001205	07-020150-3407	SCREW 4X12	6
8	65801BMAT000	07-020150-3408	SPRING NUT	4

Fig. 35 Leg Shield



Ref	Code	Part Number	Description	Qty
1	65402BMBT000	07-020150-3501	LEG SHIELD, 2	1
2	65406BMBTCA0	07-020150-3502	BOTTOM COVER	1
3	65801BMBT000	07-020150-3503	SPRING NUT 4MM	8
4	B05074801605	07-020150-3504	TAPPING SCREW 4.8X16	8
5	65407BMBKT000	07-020150-3505	INNER FENDER	1
6	B01090603065	07-020150-3506	BOLT 6X30	1
7	65403BMBT000	07-020150-3507	VIN COVER	1
8	51011BMBT000	07-020150-3508	HOOK, HELMET	1
9	B05074201605	07-020150-3509	TAPPING SCREW 4.2X16	8

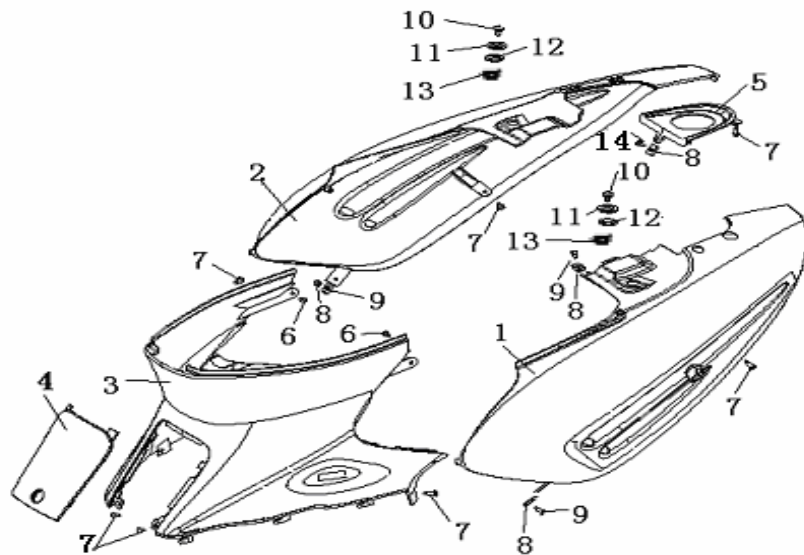
Fig. 36 Footrest & Stand



Ref	Code	Part Number	Description	Qty
1	58520J4HT000	07-020150-3601	MAIN STAND	1
2	58507G5FT000	07-020150-3602	CUSHION, MAIN STAND	1
3	08018J5BT000	07-020150-3603	BOLT	1
4	58510BM0T000	07-020150-3604	SPRING, MAIN STAND	1
5	B01091002565	07-020150-3605	BOLT 10X1.25X25MM	2
6	58509JA0T000	07-020150-3606	BUSH	2
7	65813BMBT000	07-020150-3607	BATTERY COVER	1
8	B04070800065	07-020150-3608	U NUT 8MM	1
9	57005BMBT000	07-020150-3609	BOLT, SINGLE STAND	1
10	57006BM0T000	07-020150-3610	HOOK SPRING	1
11	57010BM0T000	07-020150-3611	SPRING, SIDE STAND	1
12	58700J4FT000	07-020150-3612	SIDE STAND	1
13	B07030000505	07-020150-3613	WASHER 5	4
14	B05074001605	07-020150-3614	TAPPING SCREW	6
15	08011H60X000	07-020150-3615	BOLT	4
16	B01090601265	07-020150-3616	BOLT 6X12	4
17	65802BMAT000	07-020150-3617	SPRING NUT	6
18	B05075001605	07-020150-3618	TAPPING SCREW 5X16	1
19	65401BMBT000	07-020150-3619	FLOORBOARD	1

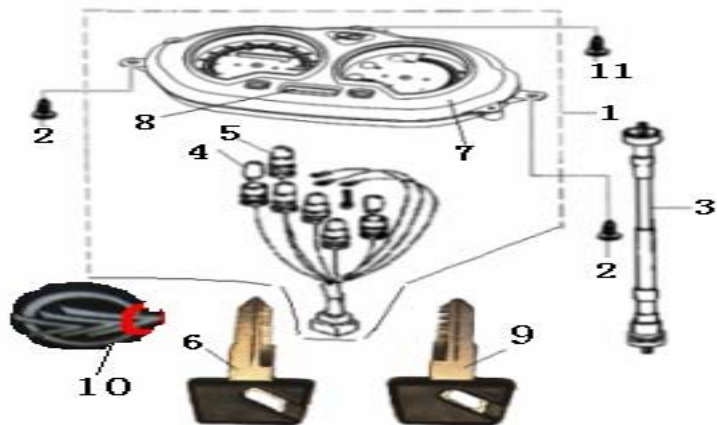


Fig. 37 Side Cover



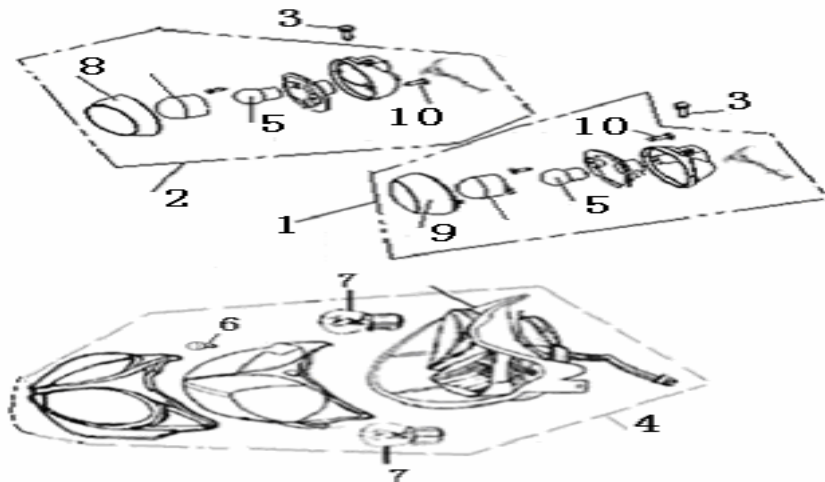
Ref	Code	Part Number	Description	Qty
1	65601BMBTB40	07-020150-3701	SIDE COVER, 1	1
2	65602BMBTB40	07-020150-3702	SIDE COVER, 2	1
3	65605BMBT000	07-020150-3703	SIDE COVER, 3	1
4	65619BMBT000	07-020150-3704	SIDE COVER, 4	1
5	65606BMBTB40	07-020150-3705	SIDE COVER, 5	1
6	B05074001205	07-020150-3706	SCREW 4X12MM	2
7	B05074801605	07-020150-3707	SCREW	7
8	65802BMBT000	07-020150-3708	SPRING NUT 5MM	4
9	B05075001205	07-020150-3709	SCREW 5X12MM	4
10	B02000602025	07-020150-3710	SCREW 6X20MM	2
11	08021BMBT000	07-020150-3711	WASHER	2
12	65618J00P000	07-020150-3712	RUBBER WASHER	2
13	65709BMBT000	07-020150-3713	BUSH, RR. FENDER	2
14	B05074801305	07-020150-3714	SCREW	1

Fig. 38 Speedometer



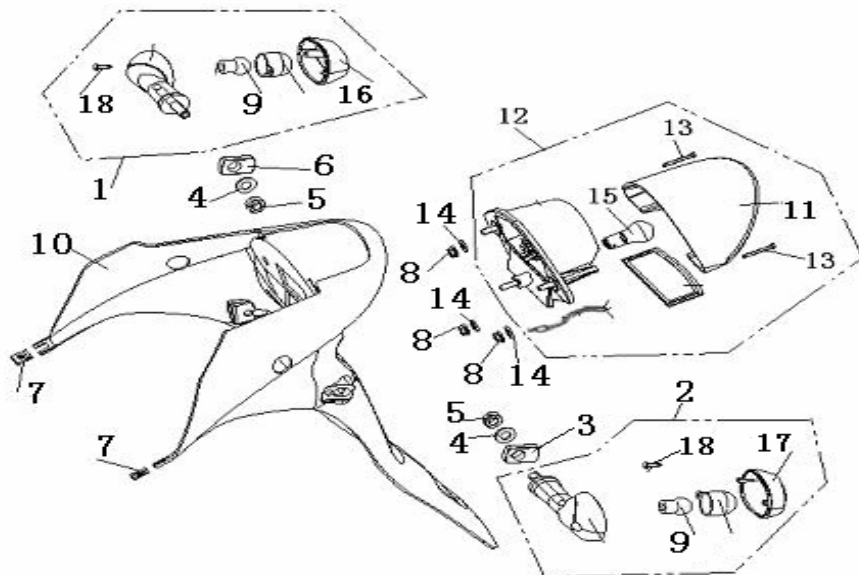
Ref	Code	Part Number	Description	Qty
1	70000J4FTW60	07-020150-3801	SPEEDOMETER	1
2	B05074001205	07-020150-3802	TAPPING SCREW 4X12	2
3	72900J4FT000	07-020150-3803	SPEEDOMETER CABLE	1
4	70001BMBT000	07-020150-3804	BULB 12V-3W	3
5	70036BMBT000	07-020150-3805	BULB 12V-2W	3
6	88900BMBT001	07-020150-3806	KEY CUT RIGHT	1
7	70003BMBT004	07-020150-3807	SPEEDOMETER LENS	1
8	76000BMBT001	07-020150-3808	DIGITAL CLOCK	1
9	88900BMBT002	07-020150-3809	KEY CUT LEFT	1
10	05501J4HT000	07-020150-3810	STICK	1
11	B05074001005	07-020150-3811	TAPPING SCREW	1

Fig, 39 Front Turn Signal & Head Light



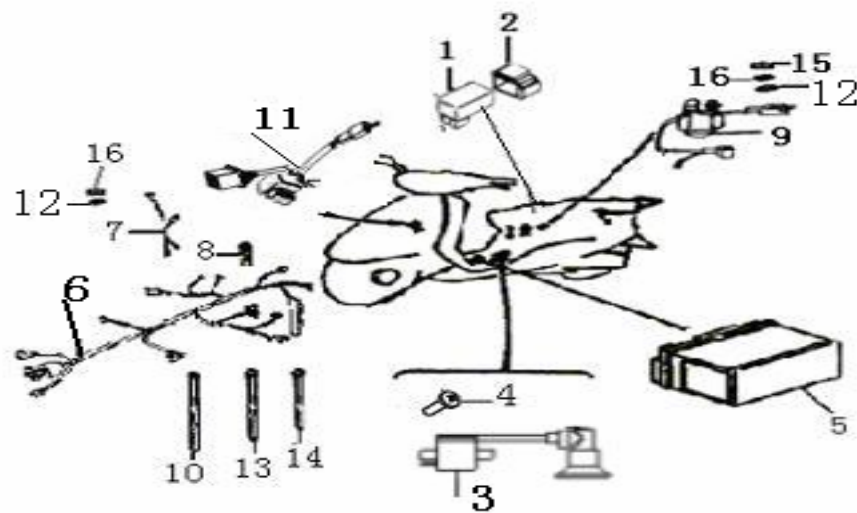
Ref	Code	Part Number	Description	Qty
1	81100B20T001	07-020150-3901	TURN SIGNAL ASSY, FR LFT	1
2	81300B20T001	07-020150-3902	TURN SIGNAL ASSY, FR RGT	1
3	B13060501205	07-020150-3903	SCREW W/WASHER 5X12	2
4	80000J4AT000	07-020150-3904	HEAD LIGHT ASSY	1
5	81004BMBT000	07-020150-3905	BULB, 12V/10W	2
6	70001BMBT000	07-020150-3906	BULB 2, HEADLIGHT	2
7	80002B20T000	07-020150-3907	BULB(12V35/35W)	2
8	81302B20T000	07-020150-3908	TURN SIGNAL COVER, FR RGT	1
9	81102B20T000	07-020150-3909	TURN SIGNAL COVER, FR LFT	1
10	08011B20T000	07-020150-3910	SCREW 3X28	2

Fig. 40 Tail Light & Rear Turn Signal



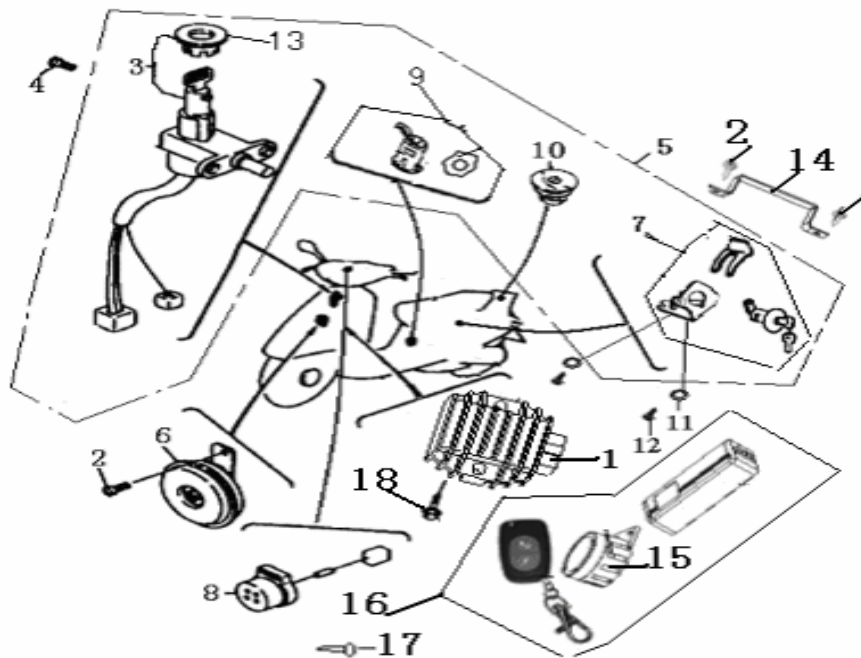
Ref	Code	Part Number	Description	Qty
1	81700B20T001	07-020150-4001	TURN SIGNAL, RR RGT	1
2	81500B20T001	07-020150-4002	TURN SIGNAL, RR LFT	1
3	81511BM0T000	07-020150-4003	CUSHION, TURN SIGNAL LFT	1
4	B07030001005	07-020150-4004	WASHER 10MM	2
5	B04061012555	07-020150-4005	NUT10X1.25MM	2
6	81708BM0T000	07-020150-4006	CUSHION, TURN SIGNAL RGT	1
7	65802BM0T000	07-020150-4007	SPRING NUT 5MM	2
8	B04070600065	07-020150-4008	NUT 6MM	3
9	81004BMBT000	07-020150-4009	BULB, 12V/10W	2
10	08202BM0T000	07-020150-4010	LICENSE BRACKET	1
11	82008BM0T003	07-020150-4011	TAIL LIGHT LENS	1
12	82000BM0T001	07-020150-4012	TAIL LIGHT ASSY	1
13	08009BM0T000	07-020150-4013	SCREW 4X28	2
14	82011G00P000	07-020150-4014	RUBBER WASHER	3
15	82005B20T000	07-020150-4015	BULB 12V 21/5W	1
16	81102B20T000	07-020150-4016	TURN SIGNAL LENS, RR RGT	1
17	81302B20T000	07-020150-4017	TURN SIGNAL LENS, RR LFT	1
18	08011B20T000	07-020150-4018	SCREW 3X28	2

Fig. 41 Electrical I



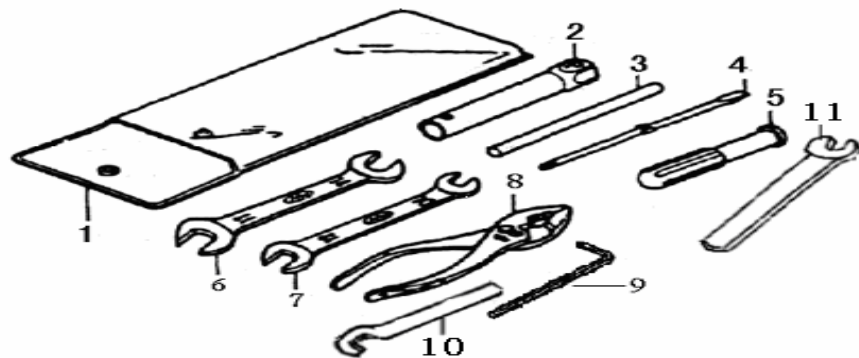
Ref	Code	Part Number	Description	Qty
1	97701BAAT000	07-020150-4101	CDI	1
2	96007BAAT000	07-020150-4102	CUSHION CDI	1
3	96200J5BT000	07-020150-4103	IGNITION COIL	1
4	B13040602005	07-020150-4104	SCREW 6X20	2
5	96100J4FT000	07-020150-4105	BATTERY	1
6	92000J4FT005	07-020150-4106	WIRE HARNESS, MAIN	1
7	96900J4FT000	07-020150-4107	WIRE HARNESS	1
8	96800K80T000	07-020150-4108	FUSE 15A	1
9	94000BMBT000	07-020150-4109	STARTER RELAY	1
10	96001K00P000	07-020150-4110	BAND 8*250	3
11	92100J3AT001	07-020150-4111	RESISTOR	1
12	B07030000605	07-020150-4112	WASHER 6	2
13	96003K00P000	07-020150-4113	BAND 8*200	3
14	96002K00P000	07-020150-4114	BAND 8*150	1
15	B04000600055	07-020150-4115	NUT 6MM	1
16	B07000000605	07-020150-4116	WASHER 6	2

Fig. 42 Electrical II



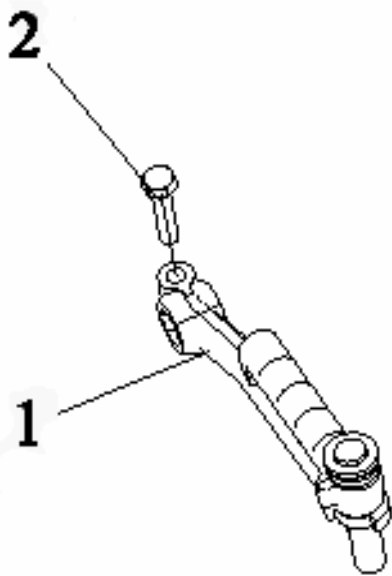
Ref	Code	Part Number	Description	Qty
1	98801N0FP000	07-020150-4201	VOLTAGE REGULATOR	1
2	B01090601265	07-020150-4202	BOLT 6X12	3
3	88100K80T000	07-020150-4203	IGNITION SWITCH	1
4	08002BMBT000	07-020150-4204	BOLT 6X12	2
5	88000J4FT001	07-020150-4205	LOCK SET	1
6	95000B50T000	07-020150-4206	HORN	1
7	88800BMBT000	07-020150-4207	LOCK, SEAT	1
8	96500BM0T00B	07-020150-4208	TURN SIGNAL RELAY	1
9	88500BMBT000	07-020150-4209	LOCK, COVER	1
10	88400BMBT000	07-020150-4210	LOCK, FUEL TANK	1
11	B07030000505	07-020150-4211	WASHER 5	2
12	B05074001005	07-020150-4212	TAPPING SCREW 4X10	2
13	88101BMBT000	07-020150-4213	COVER MAIN SWITCH	1
14	95701JCCT000	07-020150-4214	BRACKET, ALARM SYSTEM	1
15	95730BMBT002	07-020150-4215	ALARM SYSTEM HORN	1
16	95700J4FT000	07-020150-4216	ALARM SYSTEM	1
17	B05074801305	07-020150-4217	TAPPING SCREW	1
18	B01090602065	07-020150-4218	BOLT 6X20	1

Fig. 43 Tool Kit



Ref	Code	Part Number	Description	Qty
1	02110G00P000	07-020150-4301	BAG, TOOL	1
2	02102G00P000	07-020150-4302	SOCKET, SPARK PLUG	1
3	02101G0BP000	07-020150-4303	HANDLE , SPARK PLUG SOCKET	1
4	02103G00P000	07-020150-4304	DRIVER, SCREW	1
5	02104G00P000	07-020150-4305	HANDLE	1
6	B200113-1600	07-020150-4306	SPANNER,13X16	1
7	B200110-1200	07-020150-4307	SPANNER,10X12	1
8	02112BMBT000	07-020150-4308	PLIERS	1
9	B20020800000	07-020150-4309	SOCKET SPANNER	1
10	02115BM0T000	07-020150-4310	RR. ABSORBER ADJUSTER	1
11	02117BMBT000	07-020150-4311	WRENCH 35	1

Fig. 44 Kickstart Arm



Ref	Code	Part Number	Description	Qty
1	08350J4AT000	07-020150-4401	KICK START ARM	1
2	B01020602565	07-020150-4402	SCREW 6X25	1