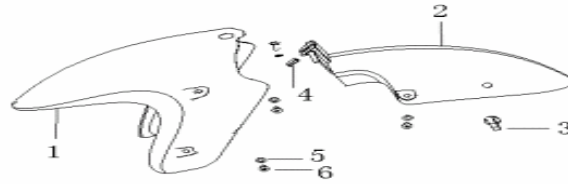


BODY PARTS LIST FOR QJ150T-3(-1E)

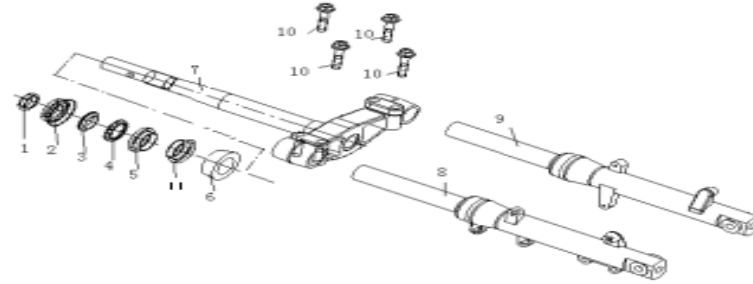
FRONT FENDER ASSY

NO	CODE	DESCRIPTION	QTY.
1	65101JCCT000	FRONT FENDER , I. (ROUGHCAST)	1
	65101JCCTD50	FRONT FENDER , I. (BLACK)	
2	65102JCCT000	FRONT FENDR , II. (ROUGHCAST)	1
	65102JCCTD50	FRONT FENDR , II. (BLACK)	
3	65105JCCT000	FIXUP LOOP	1
4	65415JCCT000	CLIP 6MM	1
5	B07030000604	WASHER 6MM	7
6	B02000601664	SCREW 6X16MM	7



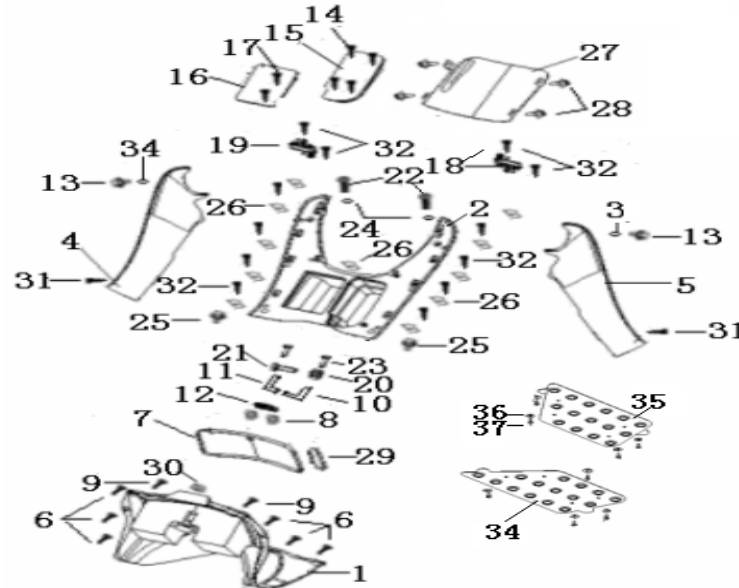
FRONT FORK

NO	CODE	DESCRIPTION	QTY.
1	43008JCCT000	NUT	1
2	43290JCCT000	SEAL ASSY	1
3	43001JCCT000	RACE, UPPER	1
4	43017JCCT000	NUT, STEERING STEM	1
5	43002JCCT000	UPPER BEARING	1
6	B12043320000	BEARING ROLLER	1
7	43100JCCT000	LOWER BRACKET ASSY	1
8	43200JCCT001	FRONT, LEFT, CUSHION ASSY	1
9	43300JCCT001	FRONT, RIGHT, CUSHION ASSY	1
10	B01091005065	BOLT 10x125x50MM	4
11	43003JCCT000	LOWER BEARING	1



LEG SHIELD ASSY.

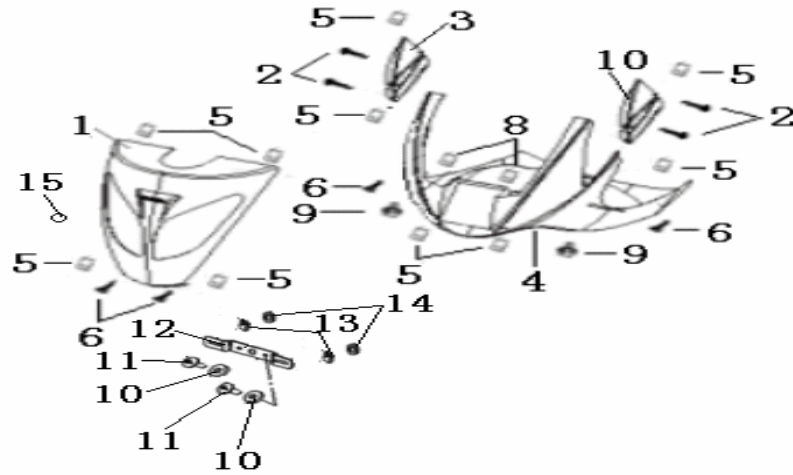
NO	CODE	DESCRIPTION	QTY.
1	65402JCCT000	LEG SHIELD	1
2	65401JCCT000	FLOOR	1
3	B07030000605	WASHER 6MM	2
4	65409JCCT000	R..UNDER LEG SHIELD (ROUGHCAST)	1
	65409JCCTB40	R..UNDER LEG SHIELD, (BLACK)	
5	65408JCCT000	L..UNDER LEG SHIELD, (RIUGHCAST)	1
	65408JCCTB40	L..UNDER LEG SHIELD, (BLACK)	
6	B05004201605	SCREW 4.2X16MM	6
7	65404JCCT000	COVER, LUGGAGE BOX	1
8	65624JCCT000	NUT 5MM	2
9	B01070601265	BOLT 6X12MM	2
10	03310JCCT000	SAFETY HELMET DOMN POTHOOK	1
11	03311JCCT000	SAFETY HELMET UP POTHOOK	1
12	03312JCCT000	SAFETY HELMET POTHOOK SEAT	1
13	B01070601665	SCREW 6X16MM	2
14	B05004201605	SCREW 4.2X13MM	4
15	65416JCCT000	L.COVER, BATTERY BOX	1
16	65417JCCT000	R.COVER, BATTERY BOX	1
17	B05004201605	SCREW 4.2X16MM	2
18	65411JCCT000	L . FOOT REST	1
19	65412JCCT000	R. FOOT REST	1
20	B04070500055	NUT 5MM	1
21	03313JCCT000	SAFETY HELMET POTHOOK PIN	1
22	B02000604065	BOLT 6X40MM	2
23	B02000501665	BOLT 5X16MM	2
24	B07030000605	WASHER 6MM	2
25	B13070601665	BOLT 6X16MM	2
26	65803JOET000	NUT	11
27	65407JCCT000	FRAME FENDER	1
28	B13060601205	SCREW 6X12MM	4
29	65403JCCT000	INSPECT COVER	1
30	B04170600054	NUT 6MM	1
31	B05004201305	SCREW 4.2X13MM	2
32	B05004201605	SCREW 4.2X16MM	12
33	B05004201305	SCREW 4.2X13MM	2
34	65411JCCT000	FLOOR COVER , L	1



35	65412JCCT000	FLOOR COVER , R	1
36	B05004201304	SCREW 4.2X13MM	8
37	57031JCCT000	WASHER	8

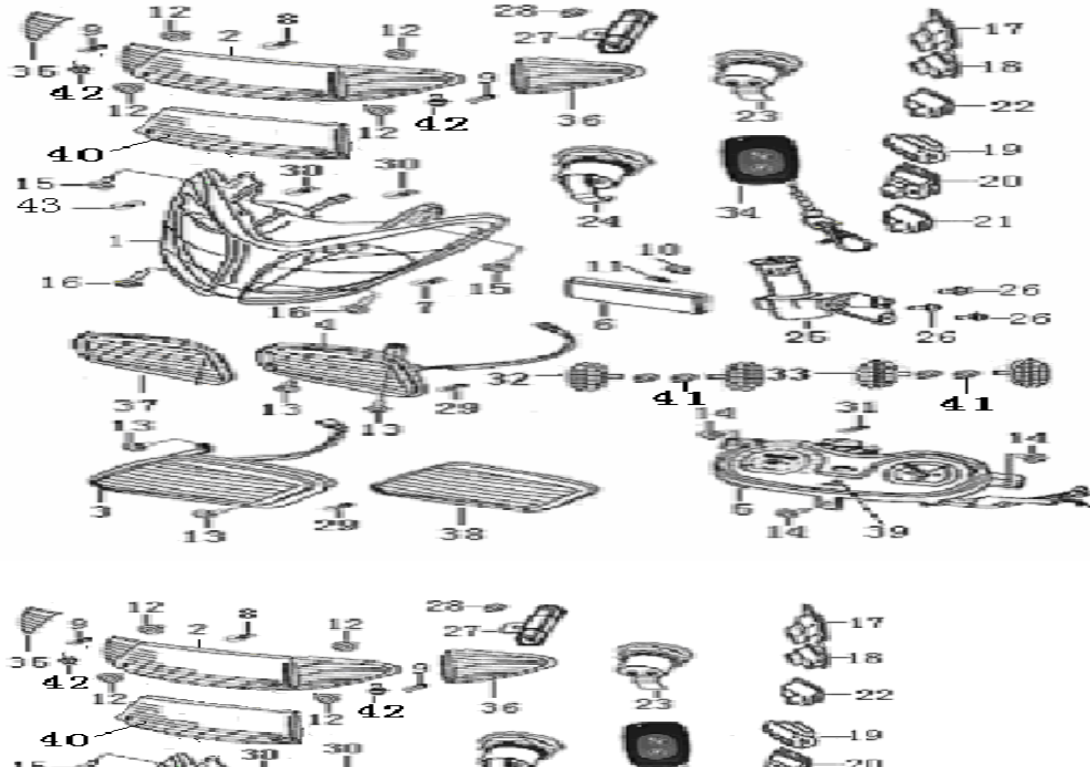
LEG SHIELD ASSY.

NO	CODE	DESCRIPTION	QTY.
1	65302JCCT000	SHIELD, LEG FRONT, (ROUGHCAST)	1
	65302JCCTD50	SHIELD, LEG FRONT, (BLACK)	
2	B05004201305	BOLT 4.2X13MM	4
3	65306JCCT000	R. AIR INTAKE	1
4	65303JCCT000	FRONT STOPPING,, (ROUGHCAST)	1
	65303JCCTRX0 (R X/B4)	FRONT STOPPING,, (RED/BLACK)	
	65303JCCTLKO (L K/B4)	FRONT STOPPING,, (BLUE/BLACK)	
	65303JCCTYE0 (Y E/B4)	FRONT STOPPING,, (YELLOW/BLACK)	
	65303JCCTCA0 (C A/B4)	FRONT STOPPING,, (SILVER/BLACK)	
65303JCCTYF0 (Y F/B4)	FRONT STOPPING,, (YELLOW/BLACK)		
5	65801JOET000	NUT	10
6	B05004201605	SELF-TAPPING SCREW 4.2X16MM	4
7	65305JCCT000	L. AIR INTAKE	1
8	65625JOET000	NUT 6MM	2
9	B01070601265	BOLT 6X16MM	2
10	65616JCCT000	GASKET I	2
11	08002JCCT000	SCREW 6X25MM	2
12	08200H60X000	BRACKET LICENSE PLATE	1
13	B07020000605	WASHER 6MM	2
14	B04000600055	NUT 6MM	2
15	65303JCCT000	COVER	1



ELECTRIC I

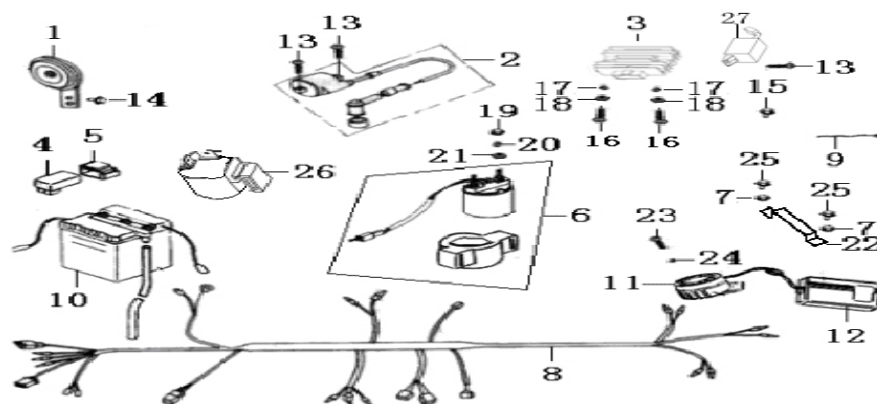
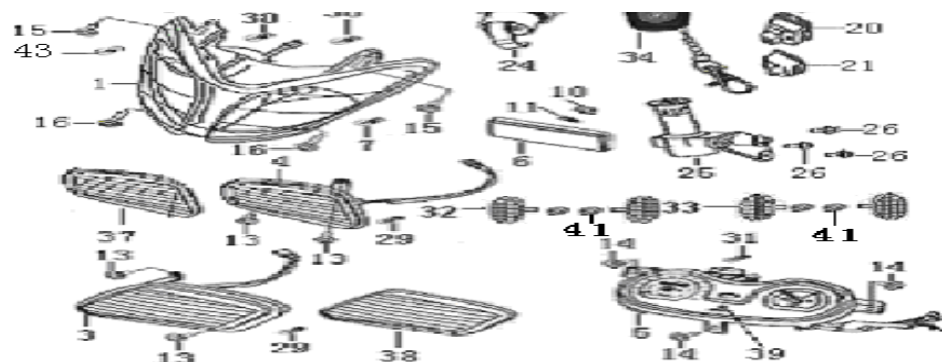
NO	CODE	DESCRIPTION	QTY.
1	80000K30T000	HEAD LAMP	1
2	82000K30T000	REAR LAMP	1
3	81100K30T000	FR. R. WINKER ASSY	1
4	81300K30T000	FR. R. WINKER ASSY	1
5	70000JCCT003	SPEEDOMETER	1
6	86500JCCT000	REFLECTOR, RR.	1
7	80002JCCT000	BULB, LEFT HL 12V/18W	1
8	82005JCCT000	BULB, REAR LAMP	1
9	81004JCCT000	BULB, TURN SIGNAL	2
10	B04070500055	NUT 5MM	1
11	B07030000505	WASHER 5MM	1
12	B13060601605	SCREW ASSY.	4
13	B05004201605	SCREW 4.2X13MM	4
14	B05004801603	SCREW 4.8X16MM	3
15	B13060601605	SCREW ASSY. 6X16MM	2
16	B13060602505	SCREW ASSY. 6X25MM	2
17	91900K30T000	FLAMME OUT SWITCH	1
18	91400JCCT000	START SWITCH UNIT	1
19	91300JCCT000	DIMMER SWITCH UNIT	1
20	91200JCCT000	WINKER SWITCH UNIT	1
21	91100JCCT000	HORN SWITCH UNIT	1
22	91901K30T000	WARNING SWITCH	1
23	88200JCCT000	LOCK, FRONT LUGGAGE BOX	1
24	88800JCCT000	SEAT LOCK	1
25	88100JCCT000	LOCK ASSY. STEERING	1
26	B01090602065	SCREW 6X20MM	1
27	96600BMAT000	RESISTOR COMP.	1
28	B04070600064	NUT 6MM	1
29	81103JCCT000	EACH BULB FRONT TURN SIGNAL 12V/3W	2
30	87002JCCT000	BULB PARKING LIGHT 12V/3W	2
31	70001JCCT000	BULB SPEEDOMETER 12V/3W	5
32	86100B20T001	FRONT REFLECTOR	2
33	86500JCCT000	REAR REFLECTOR, LH	2



34	97700B20T00A	TELECONTROL ORGAN ,(BLACK)	1
	97700B20T00B	TELECONTROL ORGAN ,(BLUE)	1
35	81502JCCT000	COVER,REAR TURN LIGHT, L,(GREY)	1
36	81702JCCT000	COVER,REAR TURN LIGHT, R,(GREY)	1
37	81302JCCT000	COVER,FRONT TURN LIGHT, R,(GREY)	1
38	81102JCCT000	COVER,FRONT TURN LIGHT, L,(GREY)	1
39	76000JCCT002	DIGITAL WATCH	1
40	82008JCCT000	TAIL LIGHT LENS	1
41	B04000600054	NUT 6MM	4
42	B05003801604	SCREW 3.8X16MM	2
43	80021JCCT000	BULB, RIGHT HL 12V/18W	1

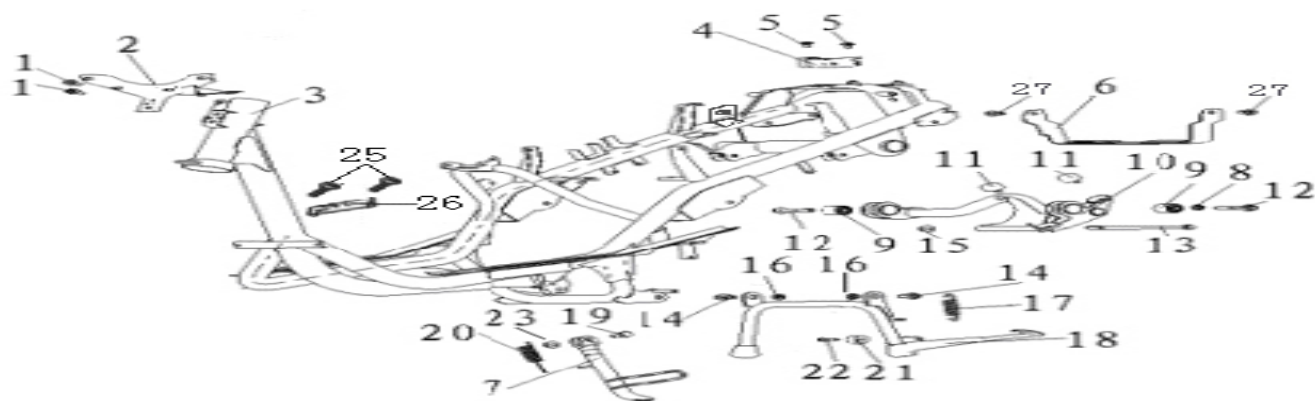
ELECTRIC II

NO	CODE	DESCRIPTION	QTY.
NO.	CODE		QTY.
1	95000JOET000	HORN (OLD)	1
	95000JCCT001	HORN (NEW)	
2	96200JOET000	IGNITION COIL	1
3	98801K30T000	REGULATOR	1
4	97701K30T000	C.D.I. UNIT ASSY	1
5	96007JOET000	SLEEVE, C.D.I.	1
6	94000BMBT000	RELAY, STARTER	1
7	B04070600054	NUT M6	2
8	92000K30T000	WIRE HARNESS COMP.	1
9	96900JCCT000	EARTH WIRE	1
10	96100JOET000	BATTERY 12V/6AH	1
11	95600JCCT000	HORN, ALARMSYSTEM	1
12	95700K30T000	ALARMSYSTEM	1
13	B01090602065	BOLT 6X20MM	3
14	B01090601664	BOLT 6X16MM	1
15	B01090601264	BOLT 6X12MM	1
16	B01070601664	SCREW M6X16	2
17	B07000000604	SPRING WASHER 6MM	2
18	B07030000604	PLANE WASHER 6MM	2
19	B04070500054	NUT 5MM	1
20	B07000000504	WASHER, SPRING 5MM	1
21	B07030000504	WASHER 5MM	1
22	95701JCCT000	BAKT ALARMSYSTEM	1
23	B02000401265	SCREW 4X12MM	1
24	B04070400055	NUT 4MM	1
25	B01090601664	BOLT 6X16MM	2
26	96400JCCT000	FLASHER	1
27	97900K30T000	CARBURETOR HEATER	1



FRAME ASSY.

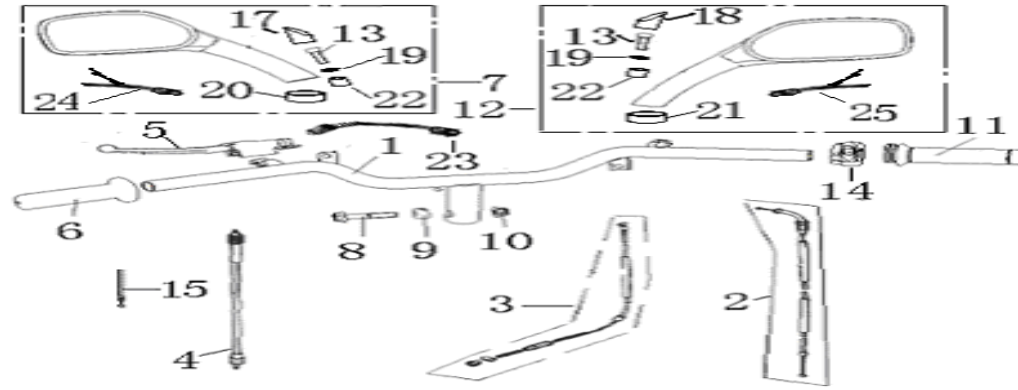
NO	CODE	DESCRIPTION	QTY.
NO.	CODE		QTY.
1	B01070802065	BOLT 8X20MM	2
2	08330K30T000	BRACKER , HEAD LAMP	1
3	57100K30T000	FRAME COMP.	1
4	58800JCCT000	SEAT CATCH COMP	1
5	B13060601605	SCREW 6X16MM	2
6	58790JCCT000	FUEL TANK BRACKET	1
7	58700JCCT000	SIDE STAND COMP.	1
8	58307JCCT000	BUSH , LEFT	1
9	58350JCCT000	SPACER ENGINE BRACKET	2
10	58320K30T000	E/G HANGER COMP.	1
11	58302J3AT000	DAMPER	2
12	B01091005565	BOLT 10X1.25X55MM	2
13	58303JCCT000	E/G MOUNTING BOLT,10X1.25X183MM	1
14	B01091002564	BOLT 10X1.25X25MM	2
15	B04071012555	NUT 10X1.25MM	1
16	58509JCCT000	CUSHION	2
17	58502JCCT000	TENSION SPRING	1
18	58520JCCT000	MAIN STAND JOINING COMP.	1
19	57005JCCT000	FIXING BOLT, SIDE STAND	1
20	57003JCCT000	TENSION SPRING, SIDE STAND	1



21	58504JCCT000	RUBBER DAMPER	1
22	B01090603065	BOLT 6X30MM	1
23	B04001012554	NUT 10X1.25MM	1
24	58308JCCT000	DUSTPROOF COVER	2
25	B100432007P0	RIVET 3.2X7	1
26	57001JCCT004	PLATE, BRAND LABEL	1
27	B01090801665	BOLT 8X16MM	2

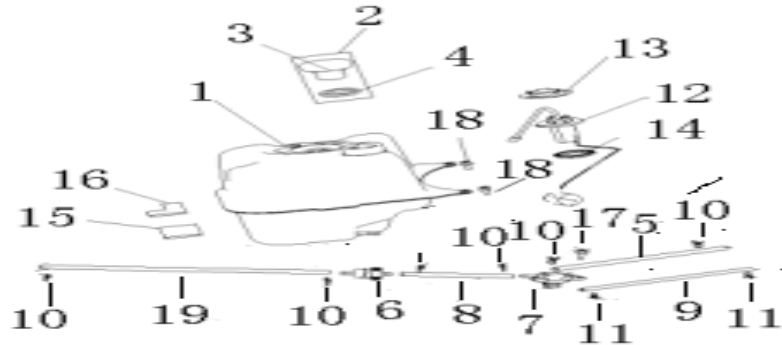
STEERING

NO.	CODE	DESCRIPTION	QTY.
1	40100JCCT000	HANDLE JOINTING COMP.	1
2	40300JCCT000	THROTTLE CABLE ASSY.	1
3	40270JCCT000	Rr. BRAKE CABLE ASSY.	1
4	72900JCCT000	SPEEDOMETER CABLE COMP.	1
5	40080JCCT000	BRAKE LEVER	1
6	40001JCCT001	L. GRIP	1
7	40460JCCTB41	REAR VIEW MIRROR COMP. (BLACK)	1
8	B01091005065	BOLT 10X1.25X50MM	1
9	40112JCCT000	COLLAR , STEERING STEM	1
10	B04171012555	NUT 10X1.25MM	1
11	40210JCCT001	R. GRIP	1
12	40470JCCTB41	REAR VIEW MIRROR COMP. (BLACK)	1
13	B02050802565	SCREW 8X25MM	2
14	40320JCCT000	BRKT. THROTTLE	1
15	40275JCCT000	SEAT LOCK CABLE	1
16	96001K00P000	BAND 150MM	2
17	40465JCCT000	RUBBER PIUG LEFT	1
18	40475JCCT000	RUBBER PIUG RIGHT	1
19	B07000000805	SPRING WASHER 8MM	2
20	40464JCCT000	MIRROR POLE COVER LEFT	1
21	40474JCCT000	MIRROR POLE COVER RIGHT	1
22	40466JCCT000	REAR VIEW MIRROR BUSH	2
23	91700JCCT000	REAR BREAK SWITCH	1
24	40461JCCT000	REAR.VIEW MIRROR WIRE,LEFT	1
25	40471JCCT000	REAR.VIEW MIRROR WIRE,RIGHT	1



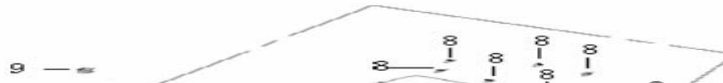
FUEL TANK ASSY

NO.	CODE	DESCRIPTION	QTY.
1	50100JCCT000	FUEL TANK ASSY.	1
2	50200JCCT000	CAP ASSY. , FUEL TANK	1
3	50201 JCCT000	CAP , FUEL TANK	1
4	50202 JCCT000	DUSTY SEAL	1
5	B16000C22801	HOSE 4.5X8.5X280MM	1
6	50340B05T000	FILTER COMP.	1
7	50300B05T000	LOCK ASSY , FUEL TANK	1
8	B16000C21201	HOSE 4.5X8.5X150MM	1
9	B16000A2801	HOSE 4X7X280MM	1
10	50306J0ET000	CLIP 7.5X1.2MM	6
11	50307J0ET000	CLIP 6.5X1.2MM	2
12	50800JCCT000	SENDER UNIT	1
13	50003J0ET000	SENDER BOARD	1
14	50002J0ET000	SENDER WASHER	1
15	50005JCCT000	FUELTANK RIGHT WASHER	1
16	50006JCCT000	FUEL TANK LEFT WASHER	1
17	B01090601665	BOLT 6X16MM	1
18	B010906016265	BOLT 6X16MM	2
19	B16000C23101	HOSE 4.5X8.5X280MM	1

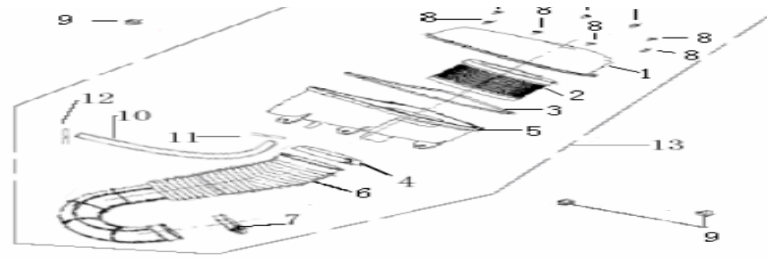


AIR CLEANER

NO.	CODE	DESCRIPTION	QTY.
1	49001JCCT000	CAP , AIR CLEANER	1
2	49200JCCT000	FILTER ASSY.	1

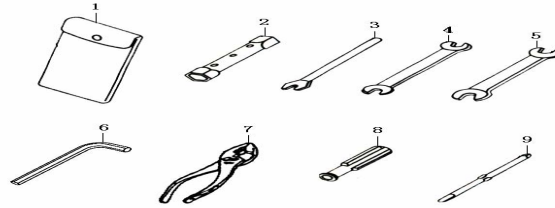


3	49013JCCT000	DUST SEAL	1
4	49016JCCT000	CLIP COMP.1	1
5	49101JCCT000	CAP , AIR CLEANER	1
6	49005K30T000	CONNECTING PIPE	1
7	49340JCCT000	CLIP COMP.2	1
8	B05004201005	TAPPING.SCREW 4.2X10MM	8
9	B13060601604	SCREW 6X16MM	3
10	49025K30T000	TUBE,EXHAUST	
11	49016K30T000	CLIP I	
12	49017K30T000	CLIP II	
13	49000K30T000	AIR CLEANER ASSY	1



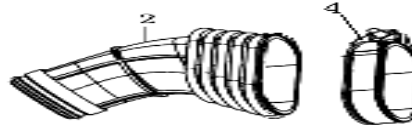
TOOL KIT

NO	CODE	DESCRIPTION	QTY.
NO.	CODE		QTY.
1	02110G00P000	BAG, TOOL KIT	1
2	02102G0BP000	SOCKET, SPARK PLUG	1
3	02101G00P	HANDLE, SOCKET	1
4	B200110-1200	WRENCH, DOUBLE ENDED 10-12	1
5	B200113-1600	WRENCH, DOUBLE ENDED 13-16	1
6	02113J00P000	SOCKET WRENCH	1
7	02112J0EP000	PLIER	1
8	02104J00P000	HANDLE, DRIVER	1
9	02103J00P000	DRIVER , MULTIPURPOSE	1



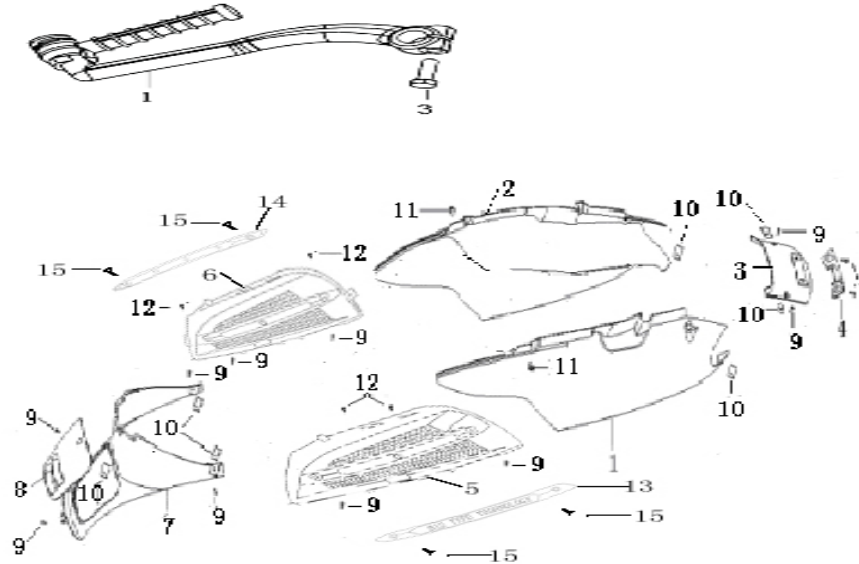
ENGINE ATTACHMENT

NO	CODE	DESCRIPTION	QTY.
NO.	CODE		QTY.
1	08350JCCT001	KIKER STATER	1
2	08400JCCT000	PIPE, AIR INTAKE	1
3	B01020602565	SCREW 6X25MM	1
4	49017JCCT000	CLIP COMP.3	1



SIDE COVER ASSY

NO	CODE	DESCRIPTION	QTY.
NO.	CODE		QTY.
1	65601JCCT000	SIDE COVER, LH, (ROUGHCAST)	1
	65601JCCD540	SIDE COVER, LH,(BLACK)	
2	65602JCCT000	SIDE COVER, RH, (ROUGHCAST)	1
	65602JCCTD50	SIDE COVER, RH,(BLACK)	
3	65605JCCT000	SIDE COVER UPPER LINK, (ROUGHCAST)	1
	65605JCCTD50	SIDE COVER UPPER LINK,(BLACK)	
4	65606JCCT000	SIDE COVER LOWER LINK, (ROUGHEAST)	1
	65606JCCTD50	SIDE COVER LOWER LINK, (BLACK)	
5	65621 K30T000	DECORATE COVER L	1
6	65622 K30T000	DECORATE COVER R	1
7	51402JCCT000	HELMET BOX FR COVER	1
8	51403JCCT000	HELMET BOX FR COVER LID	1
9	B05004201605	SCREW 4.2X16MM	9
10	65801J0ET000	NUT	7
11	B01070601664	BOLT 6X16 MM	2
12	B05004201305	NUT 4.2X13MM	4
13	65634 K30000	ADORNING LEFT BOARD	1
14	65635 K30000	ADORNING RIGHT BOARD	1
15	64636 K30000	ADORNING BOLT	4



LUGGAGE CARRIER

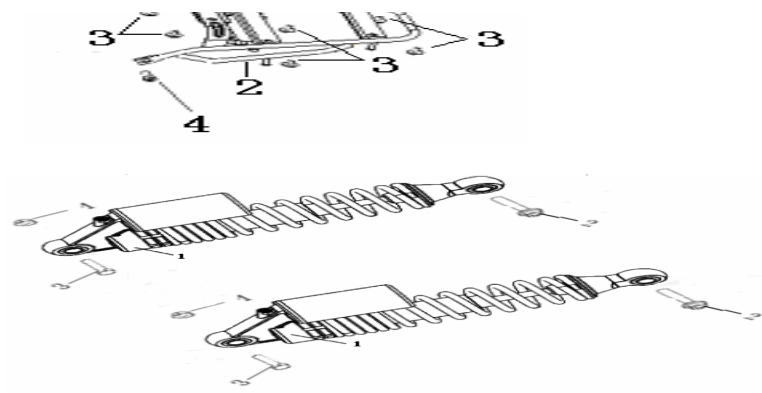
NO	CODE	DESCRIPTION	QTY.
NO	CODE		QTY.
1	52013JCCTD50	LUGGAGE CARRIER, (BLACK)	1
2	52100JCCT000	RR,LUGGAGE CARRIER COMP	1
3	B01090601065	BOLT 6X10MM	6
4	B01070802064	BOLT 8X20MM	2



5	B01090602064	BOLT 6X20MM	2
---	--------------	-------------	---

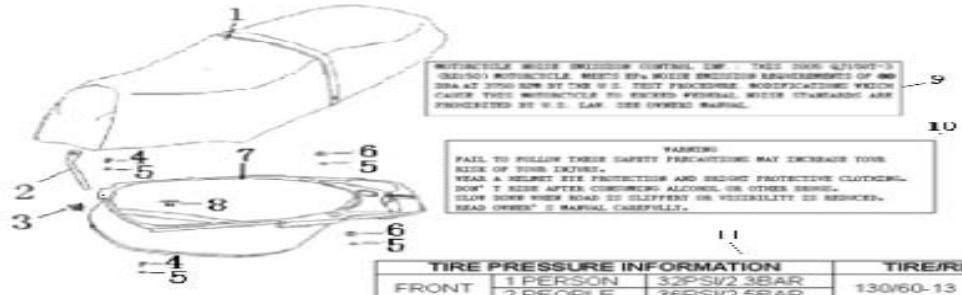
REAR ABSORBER

NO.	CODE	DESCRIPTION	QTY.
1	63100JCCTRX1	REAR SHOCK ABSORBER ASSY , (RED)	2
	63100JCCTLK1	REAR SHOCK ABSORBER ASSY , (BLUE)	
	63100JCCTYE1	REAR SHOCK ABSORBER ASSY , (YELLOW)	
	63100JCCTCA1	REAR SHOCK ABSORBER ASSY , (SILVER)	
	63100JCCTYF1	REAR SHOCK ABSORBER ASSY , (YELLOW)	
2	B01091004065	BOLT 10X1.25X40MM	2
3	B01000804064	BOLT 8X40MM	2
4	B04070800054	NUT 8MM	2



SEAT

NO.	CODE	DESCRIPTION	QTY.
1	51100JCCT001	SEAT ASSY, BLACK , (ROUGHCAST)	1
	51100JCCTRX1(RX/BL)	SEAT ASSY, (RED/BLACK)	
	51100JCCTLK1(LK/BL)	SEAT ASSY, (BLUE/BLACK)	
	51100JCCTYE1(YE/BL)	SEAT ASSY, (YELLOW/BLACK)	
	51100JCCTCA1(CA/BL)	SEAT ASSY, (SILVER/BLACK)	
	51100JCCTYF1(YF/BL)	SEAT ASSY, (YELLOW/BLACK)	
2	51001JCCT000	SHAFT	1
3	B01090601265	BOLT 6X12MM	1
4	B01090601264	BOLT 6X12MM	2
5	B07020000604	WASHER 6MM	4
6	B04000600054	NUT 6MM	2
7	51401JCCT000	HELMET BOX	1
8	65607BMBT000	ADJUST HOLE COVER	1
9	05536K30T000	NOISE .CONTROL STICKER,1	1
10	05535 K30T000	WARNING STICKER	1
11	05533 K30T001	TIRE PRESSURE STICKER	1
12	05536K30T001	NOISE .CONTROL STICKER,2	1



MOTORCYCLE NOISE EMISSION CONTROL INFORMATION:
 MODEL: QJ150T3 YEAR: 2006-
 THIS MODEL MEETS EPA NOISE EMISSION REQUIREMENTS OF 80 DBA AT 3700 RPM BY THE U.S. TEST PROCEDURE. MODIFICATIONS WHICH CAUSE THIS MOTORCYCLE TO EXCEED FEDERAL NOISE STANDARDS ARE PROHIBITED BY U.S. LAW. PLEASE CONSULT WITH OWNERS MANUAL FOR ADDITIONAL INFORMATION.

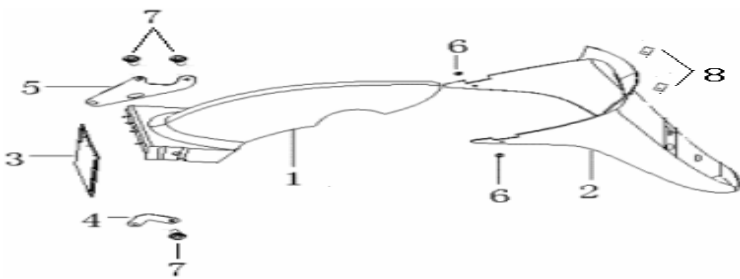
WARNING:
 FAIL TO FOLLOW THESE SAFETY PRECAUTIONS MAY INCREASE YOUR RISK OF THIS INJURY.
 WEAR A HELMET, EYE PROTECTION AND SUITABLE PROTECTIVE CLOTHING.
 SLOW DOWN WHEN ROAD IS SLEPPY OR VISIBILITY IS REDUCED.
 READ OWNER'S MANUAL CAREFULLY.

TIRE PRESSURE INFORMATION			TIRE/RIM SIZE	
FRONT	1 PERSON	32PSI/2.3BAR	130/60-13	3.50-13
	2 PEOPLE	36PSI/2.5BAR		
REAR	1 PERSON	32PSI/2.3BAR	130/60-13	3.50-13
	2 PEOPLE	36PSI/2.5BAR		

MOTORCYCLE NOISE EMISSION CONTROL INFORMATION:
 MODEL: QJ150T3 YEAR: 2006-
 THIS MODEL MEETS EPA NOISE EMISSION REQUIREMENTS OF 80 DBA AT 3700 RPM BY THE U.S. TEST PROCEDURE. MODIFICATIONS WHICH CAUSE THIS MOTORCYCLE TO EXCEED FEDERAL NOISE STANDARDS ARE PROHIBITED BY U.S. LAW. PLEASE CONSULT WITH OWNERS MANUAL FOR ADDITIONAL INFORMATION.

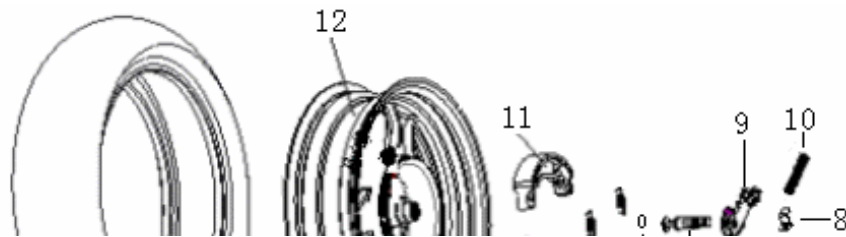
REAR FENDER ASSY

NO.	CODE	DESCRIPTION	QTY.
1	65701JCCT000	REAR FENDER	1
2	65702JCCT000	REAR FENDER,LITTLE	1
3	65703JCCT000	TAIL,REAR FENDER	1
4	65406JCCT000	FIX.BOARD,L	1
5	65407JCCT000	FIX.BOARD,R	1
6	B05004201305	SCREW 4.2X13MM	2
7	B01090601265	BOLT 6X12MM	3
8	65801JCCT000	NUT	2



REAR WHEEL

NO.	CODE	DESCRIPTION	QTY.
1	B140108C13AB	TUBELESS 130/60-13	1
2	B1404Z201110	CAP , VALVE	1
3	B1403Z201110	RIM VALVE	1
4	54001BM0T000	SPRING	2
5	54003JOET000	CAM SHAFT	1
6	B01090603564	FLANGE BOLT 6X35MM	1
7	54028JOET000	GOMMET,ANTI-DUST	1
8	54029JOET000	BRACKET, GOMMET	1
9	54250JOET000	CAM SHAFT LEVER	1
10	54008JCCT000	SPRING	1

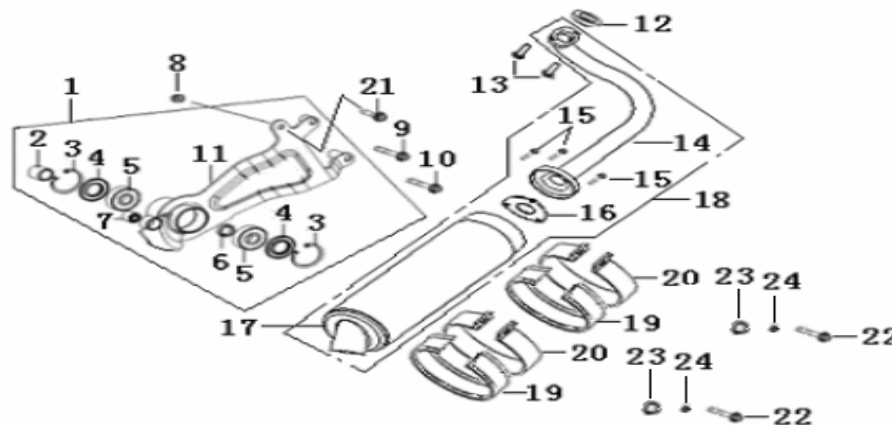


11	54200BMBT000	BRAKE SHOEKIT	2
12	54101JCCT001	RIM REARWHEEL , (ROUGHCAST)	1
	54101JCCTRX1	RIM REARWHEEL , (RED)	
	54101JCCTLK1	RREA RWHEEL ,(BLUE)	
	54101JCCTYE1	RIM , REAR WHEEL,(YELLOW)	
	54101JCCTCA1	RIM REARWHEEL,(SILVER)	
	54101JCCTYF1	RIM,,REARWHEEL,(YELLOW)	
13	54021J0ET000	O RING I	1
14	B04171615065	NUT 16X1.5MM	1
15	54031J0ET000	O RING II	1



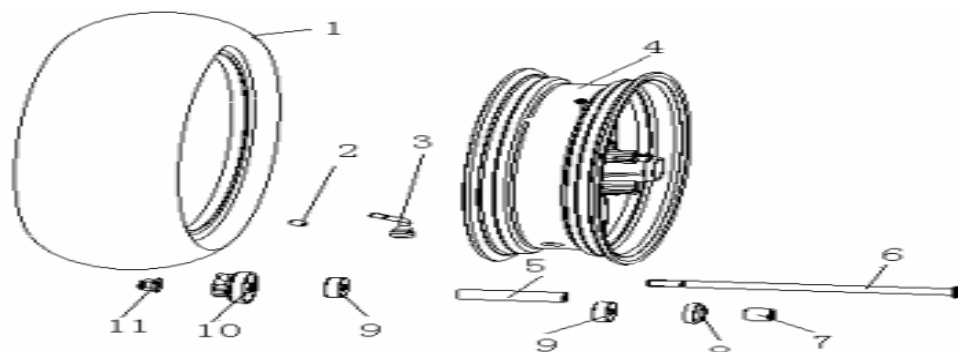
MUFFLER

NO.	CODE	DESCRIPTION	QTY.
1	47600JCCT000	BRACKET, MUFFLER	1
2	47604JCCT000	BUSH, INSIDE LOCATING	1
3	B08040004700	CIR-CLIP 47MM	2
4	47640JCCT000	GASKET, ANTI-DUST	2
5	B12016630300	BEARING 6303RS	2
6	47605JCCT001	BUSH, OUTSIDE LOCATING	1
7	47730JCCT000	BUSH COMP.	1
8	B04070800055	NUT 8MM	1
9	B01090803565	BOLT 8X35MM	1
10	B01090805565	BOLT 8X55MM	1
11	47610JCCT002	BRACKET JOINTING COMP.	1
12	47800J0ET000	GASKET, EXHAUST PIPE	1
13	47006J0ET000	NUT, CAP	2
14	47105K30T000	EXHAUST PIPE ASSY.	1
15	B01070802065	BOLT 8X20MM	3
16	47121B20T000	SEAL WASHER	1
17	47200JCCT000	MUFFLERCANISTER ASSY.	1
18	47100K30T000	MUFFLER ASSY.	1
19	47042B20T000	ADIABATIC RUBBER	2
20	47041B20T000	MUFFLER HOOP	2
21	B01090801665	BOLT 8X16MM	1
22	B01091002564	BOLT 10X1.25X25MM	2
23	B07030001004	WASHER 10MM	2
24	B07000001004	WASHER 10MM	2



FRONT WHEEL

NO	CODE	DESCRIPTION	QTY.
NO.	CODE		QTY.
1	B140108C13AB	TUBELESS, TIAR 130/60-13	1
2	B1404Z201110	CAP , VALVE	1
3	B1403Z201110	RIM , VALVE	1
4	44101JCCT001	RIM,FRONT WHEEL,(ROUGHCAST)	1
	44101JCCTRX1	RIM,FRONT WHEEL,(RED)	
	44101JCCTLK1	RIM,FRONT WHEEL,(BLUE)	
	44101JCCTYE1	RIM, FRONT WHEEL, (YELLOW)	
	44101JCCTCA1	RIM.FRONTWHEEL,(SILVER)	
	44101JCCTYF1	RIM.FRONT WHEEL,(YELLOW)	
5	44006JCCT000	CENTER SPACER FR WHEEL	1
6	44004JCCT000	AXLE FRONT WHEEL M12X247	1
7	44016JCCT000	SPACER.FR WHEEL,R	1
8	44300JCCT000	OIL SEAL 35X22X7MM	1
9	B12010603100	BEARING 60301	2
10	44200JCCT000	SPEEDOMETER GEAR COMP (ROUGHCAST)	1
	44200JCCTRX0	SPEEDOMETER GEAR COMP.(RED)	
	44200JCCTLK0	SPEEDOMETER GEAR COMP.(BLUE)	
	44200JCCTYE0	SPEEDOMETER GEAR COMP.(YELLOW)	
	44200JCCTCA0	SPEEDOMETER GEAR COMP.(SILVER)	
44200JCCTYF0	SPEEDOMETER GEAR COMP.(YELLOW)		
11	B04171215054	NUT 12X1.5MM	1

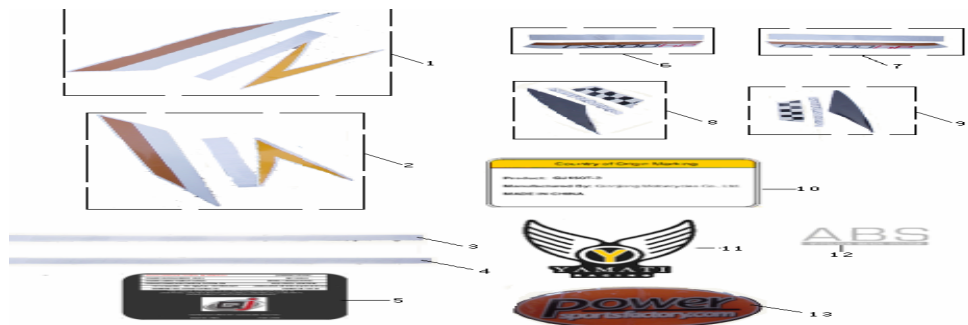


STICKER

NO	CODE	DESCRIPTION	QTY.
----	------	-------------	------

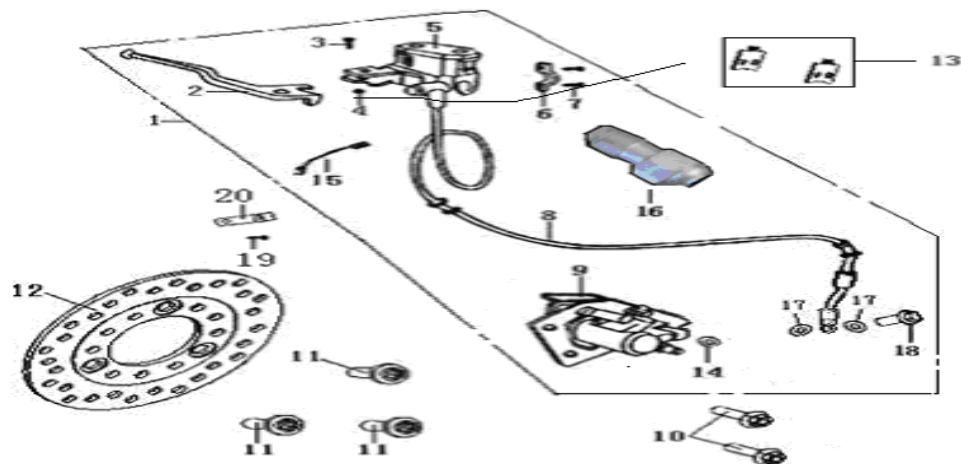


NO.	CODE		QTY.
1	05541K30T000	STICKER UNDER COVER LH	1
2	05542K30T000	STICKER UNDER COVER RH	1
3	05577K30T000	STICKER RR.. CARRIER COMP LH	1
4	05578K30T000	STICKER RR.. CARRIER COMP RH	1
5	05531K30T001	EPA PASTER	1
6	05511K30T002	STICKER SIDE COVER RH	1
7	05512K30T002	STICKER SIDE COVER LH	1
8	05518K30T001	STICKER FRONT COVER LH	1
9	05519K30T000	STICKER FRONT COVER RH	1
10	05504K30T001	STICKER , HELMET BOX FR COVER	1
11	05521K30T000	STICKER, FRONT FENDER	1
12	05503K30T001	STICKER L,R FRONT FENDER	2
13	05528K30T000	CRYSTAL STICKER FRONT COVER	1



FRONT DISK BRAKE

NO	CODE	DESCRIPTION	QTY.
NO.	CODE		QTY
1	45000JCCT002	DISK BRAKE ASSY.	1
2	40014JCCT000	DISC BRAKE LEVER	1
3	40015JCCT000	LEVER MOUNTING SCREW 6MM	1
4	B04160600065	NUT 6MM	1
5	45400JCCTB30	CYLINDER COMP.	1
6	45023JCCT000	MASTER CYLINDER BRACKET	1
7	B01070602365	BOLT 6X23MM	1
8	45200JCCT002	BRAKE HOSE ASSY.	1
9	45500JCCT002	CALIPER ASSY. (SLIVER WHITE)	1
10	45039JCCT000	BOLT 8X36MM	2
11	45036JCCT000	BOLT	3
12	45033JCCT002	BRAKE DISC	1
13	45110JCCT000	BRAKE PAD KITI	1付
14	45654JCCT000	WASHER	2
15	91700JCCT000	STOP SWITCH ASSY.	1
16	45700JCCT001	A.B.S	1
17	45653JCCT000	WASHER	2
18	45651JCCT000	BOLT	1
19	B01090601264	BOLT 6X12MM	1
20	43021JCCT000	FR BRAKE HOSE HOLDER	1



HANDLE COVER ASSY

NO	CODE	DESCRIPTION	QTY.
NO.	CODE		QTY.
1	B02000503005	SCREW 5X30MM	1
2	B07030000505	WASHER 5MM	1
3	65201JCCT000	COVER , HANDLEBAR , FR , (ROUGHCAST)	1
	65201JCCTD50	COVER , HANDLEBAR , FR , (BLACK)	
4	65212JCCT000	COVER FLUID CHECK , ROUGHCAST	
	65212JCCTRX0	COVER FLUID CHECK , (RED)	
	65212JCCTLK0	COVER FLUID CHECK , (BLUE)	1
	65212JCCTYE0	COVER FLUID CHECK , (YELLOW)	
	65212JCCTCA0	COVER FLUID CHECK , (SILVER)	
	65212JCCTYF0	COVER FLUID CHECK , (YELLOW)	
5	B05004201305	SELF-TAPPING SCREW 4.2X13MM	6
6	65205JCCT000	STOPPING PLATE , RH	1
7	65202JCCT000	COVER , HANDLEBAR , RR	1
8	B05004201305	SCREW 4.2X13MM	3
9	65204JCCT000	STOPPING PLATE , LH	1
10	B05004201605	SCREW 4.2X16MM	2
11	65418J0ET000	NUT	2
12	65214JCCT000	DISC BRAKE,PERSPECTIVECOVER	1

