

ABOUT THIS PARTS LIST

- THIS PARTS LIST IS COMPILED FOR ALL SERVICE PARTS FOR MODEL JW **149C.C. SERIES.**
- ANY DIFFERENCE BETWEEN COLOR CHART AND MOTORCYCLE WILL BE REVISED ACCORDING TO MOTORCYCLE.
- WHEN MODIFICATION OR ADDITIONS TO THIS PARTS LIST ARE MADE A REVISED EDITION WILL BE ISSUED AT AN APPROPRIATE TIME.

CONTENTS-ENGINE GROUP

JW-149C.C.

E4	OIL PUMP	E5	CYLINDER HEAD COVER	E6	CARBURETOR
E7	CYLINDER HEAD	E8	CRANK CASE	E9	CAMSHAFT

CONTENTS-ENGINE GROUP

JW-149C.C.

E10 CAM CHAIN / TENSIONER	E11 GENERATOR	E12 STARTING MOTOR
E13 GEARBOX	E14 R. CRANK CASE COVER	E15 L. SIDE COVER
E16 DRIVE FACE	E17 DRIVEN PULLEY	E18 RADIATOR COMP.

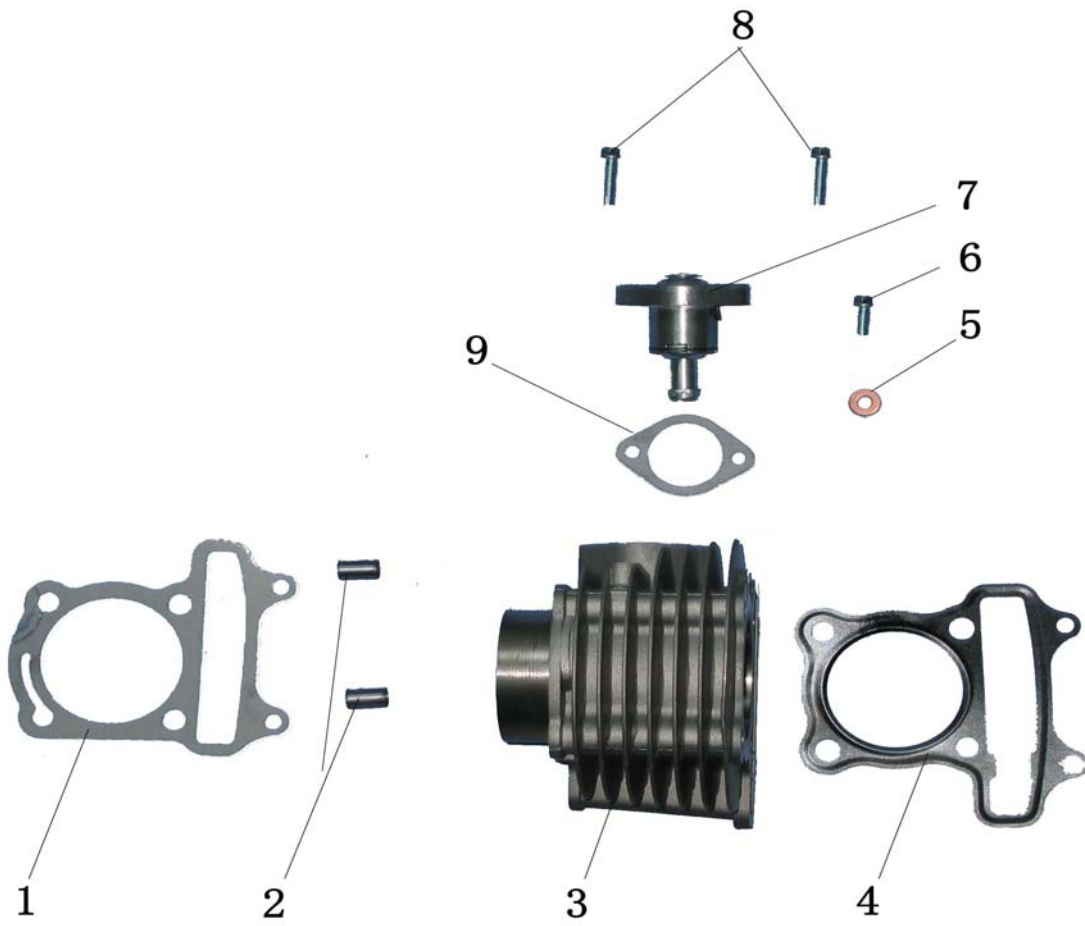
**ENGINEER
PARTS LIST**
CPI

8114-00320-00-00

E1

CYLINDER

ATV-150



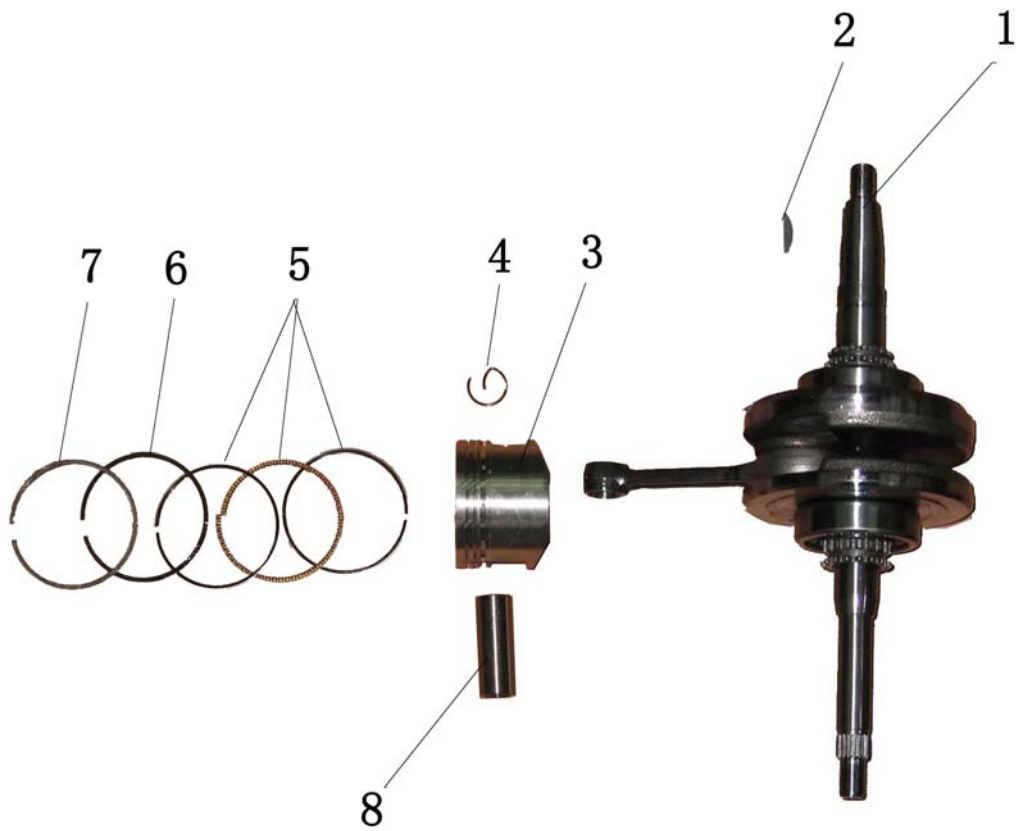
E1***CYLINDER***

ITEM	PARTS NO.	DESCRIPTION	REQD. NO.	
			ATV-150	
1	81L-08111-00-00	CYLINDER HEAD GASKET	1	
2	S-4301-10140-00	DOWEL PIN 10X14	2	
3	81L-02400-00-00	F. CYLINDER	1	
4	81L-08216-00-00	CYLINDER GASKET	1	
5	S-4101-06113-50	SEALING WASHER 6MM	1	
6	S-6001-06012-01	FLANGE BOLT 6X12	1	
7	81L-03830-00-00	TENSIONER LIFTER ASSY.	1	
8	S-6001-06022-01	FLAGE BOLT 6X22	2	
9	81L -08224-00-00	TENSIONER LIFTER GASKET	1	

E2

**PISTON
CRANK SHAFT**

ATV-150



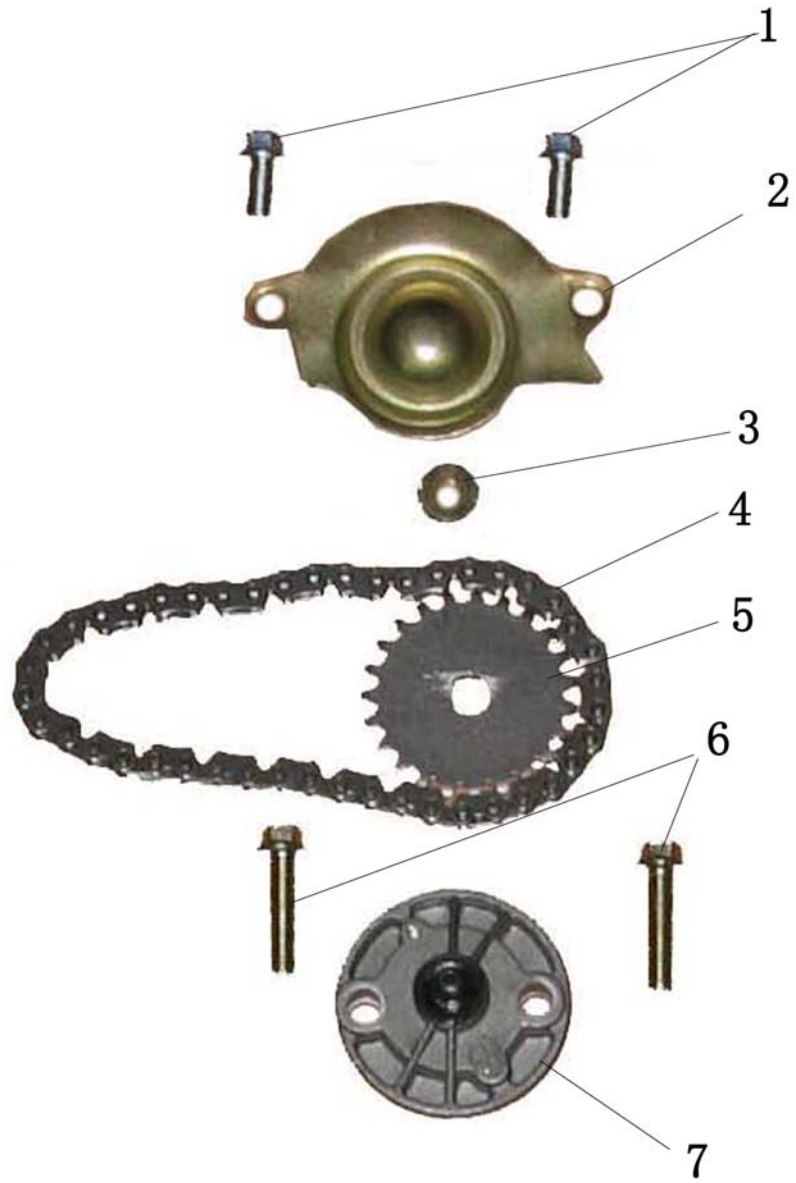
E2***PISTON / CRANK SHAFT***

ITEM	PARTS NO.	DESCRIPTION	REQD. NO.	
			ATV-150	
1	81L -04100-00-00	CRANK SHAFT COMP.	1	
2	81L-04151-00-00	WOODRUFF KEY 25X14	2	
3	81L-02611-00-00	PISTON SET (STD)	1	
4	S-4601-10150-00	PISTON PIN CLIP 15MM	2	
5	81L-02623-00-00	PISTON OIL RING SET	1	
6	81L-02622-00-00	PISTON 2 ND RING	1	
7	81L-02621-00-00	PISTON TOP RING	1	
8	81L-02631-10-00	PISTON PIN	1	

E4

OIL PUMP

ATV-150



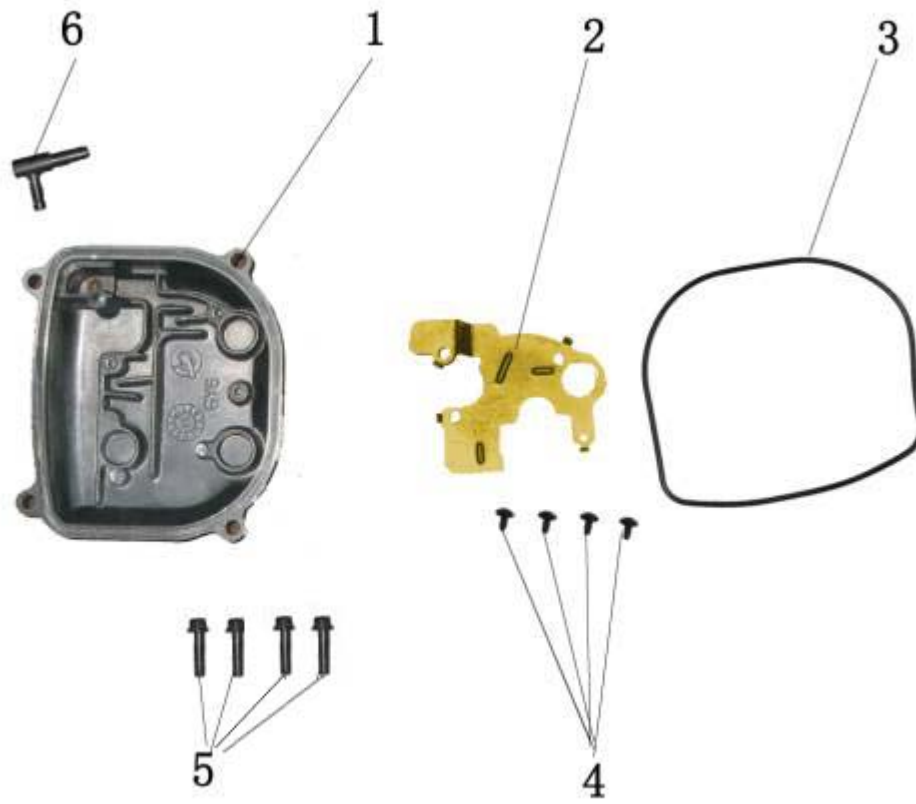
E4***OIL PUMP***

ITEM	PARTS NO.	DESCRIPTION	REQD. NO.	
			ATV-150	
1	S-6001-06012-01	FLANGE BOLT 6X12	2	
2	81L-05213-00-00	OIL SEPARATOR	1	
3	S-4050-06000-03	FLANGE NUT 6MM	1	
4	81L-05215-00-00	OIL PUMP CHAIN	1	
5	81L-05211-00-00	OIL PUMP DRVN SPRKT	1	
6	S-6001-06025-01	FLANGE BOLT 6X25	2	
7	81L-05100-00-00	OIL PUMP ASSY.	1	

E5

CYLINDER HEAD COVER

ATV-150



E5**CYLINDER HEAD COVER**

ITEM	PARTS NO.	DESCRIPTION	REQD. NO.	
			ATV-150	
1	81L-02310-00-00	CYL. HEAD COVER COMP.	1	
2	81L-02303-00-00	CYL. HEAD COVER PLAT	1	
3	81L-02311-00-00	HEAD COVER GASKET	1	
4	S-3915-04008-01	TAPPING SCREW 4X8	3	
5	S-6700-06025-01	SOCKET BOLT 6X25	3	
6	81L-02315-00-00	BREATHER TUBE JOINT	1	

E6

CARBURETOR

ATV-150



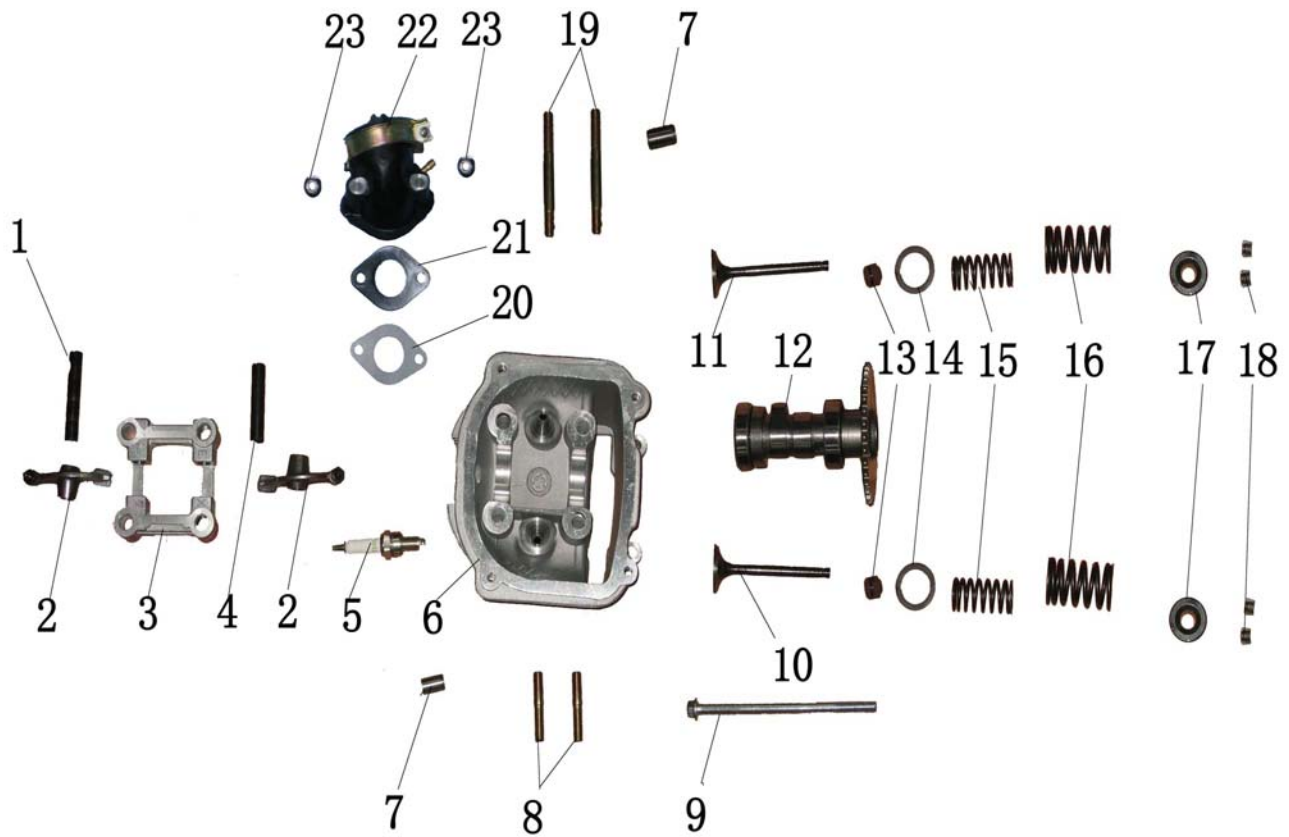
E6***CARBURETOR***

ITEM	PARTS NO.	DESCRIPTION	REQD. NO.	
			ATV-150	
1	81L-09400-00-00	CARBURETOR ASSY.	1	

E7

CYLINDER HEAD

ATV-150



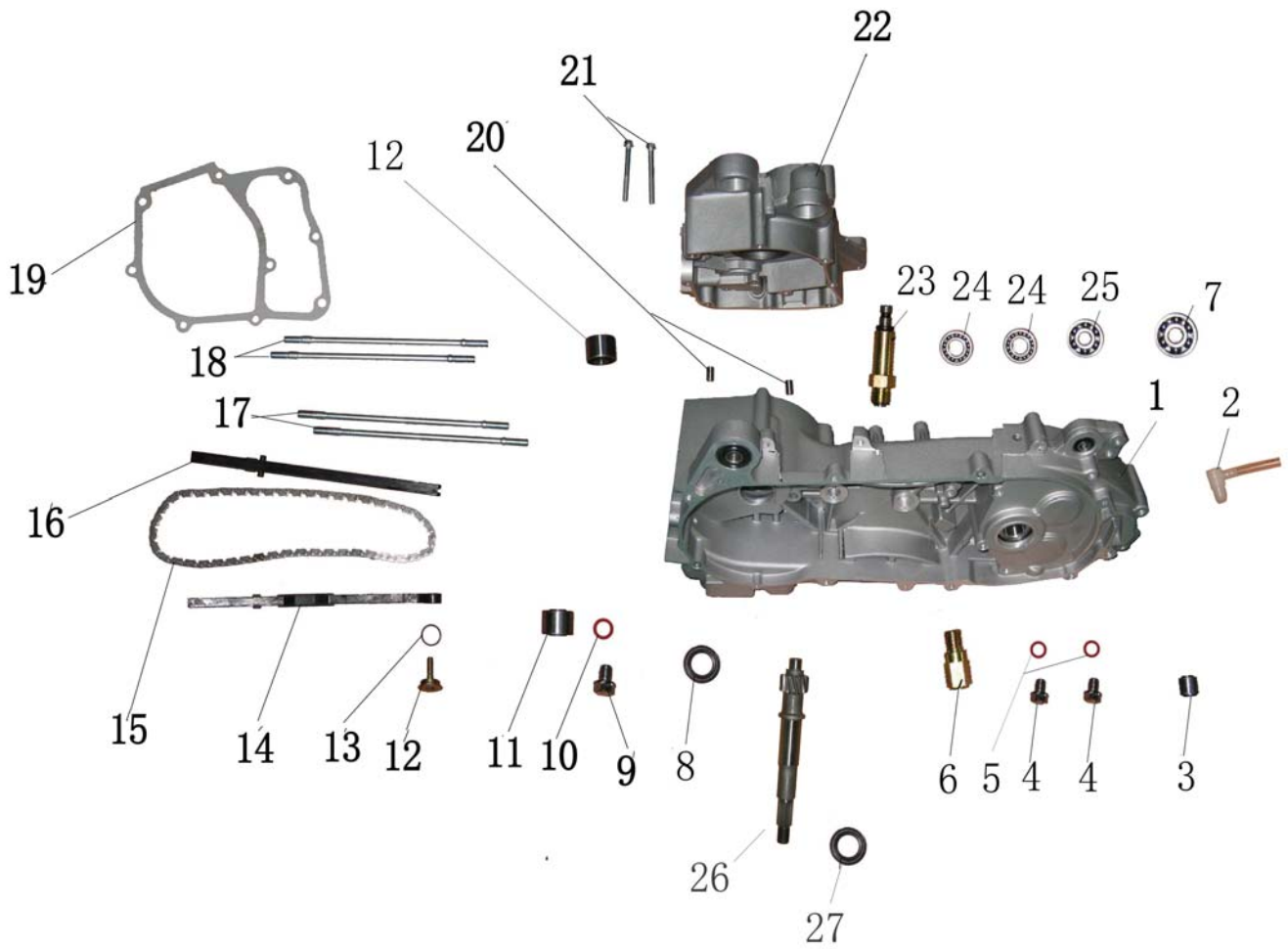
E7**CYLINDER HEAD**

ITEM	PARTS NO.	DESCRIPTION	REQD. NO.	
			ATV-150	
1	81L-03521-00-00	IN. ROCKER ARM SHAFT	1	
2	81L-03511-00-00	VALVE ROCKER ARM	2	
3	81L-03131-00-00	CAM SHAFT HOLDER	1	
4	81L-03531-00-00	EX. ROCKER ARM SHAFT	1	
5	81L-23111-00-00	SPARK PLUG (Z9Y)	1	
6	81L-02110-00-00	CYLINDER HEAD COMP.	1	
7	S-4301-10140-00	DOWEL PIN 10X14	4	
8	S-2716-06032-40	STUD BOLT 6X32	2	
9	S-6001-06100-01	FLANGE BOLT 6X100	2	
10	81L-03301-00-00	EX. VALVE	1	
11	81L-03201-00-00	IN. VALVE	1	
12	81L-03110-00-00	CAM SHAFT COMP.	1	
13	81L-03411-00-00	VALVE STEM SEAL	2	
14	81L-03424-00-00	OUTER VALVE SPRING SEAT	2	
15	81L-03414-00-00	VALVE INNER SPG.	2	
16	81L-03413-00-00	VALVE OUTER SPG.	2	
17	81L-03421-00-00	VALVE SPG. RETAINER	2	
18	81L-03427-00-00	VALVE COTTER	4	
19	S-2716-06062-50	STUD BOLT 6X62	2	
20	81L-08222-00-00	CARB. INSULATOR GASKE	1	
21	81L-08223-00-00	CARB. INSULATOR	1	
22	81L-09200-00-00	IN. PIPE COMP.	1	
23	S-4050-06000-03	FLANGE NUT 6MM	1	

E8

CRANK CASE

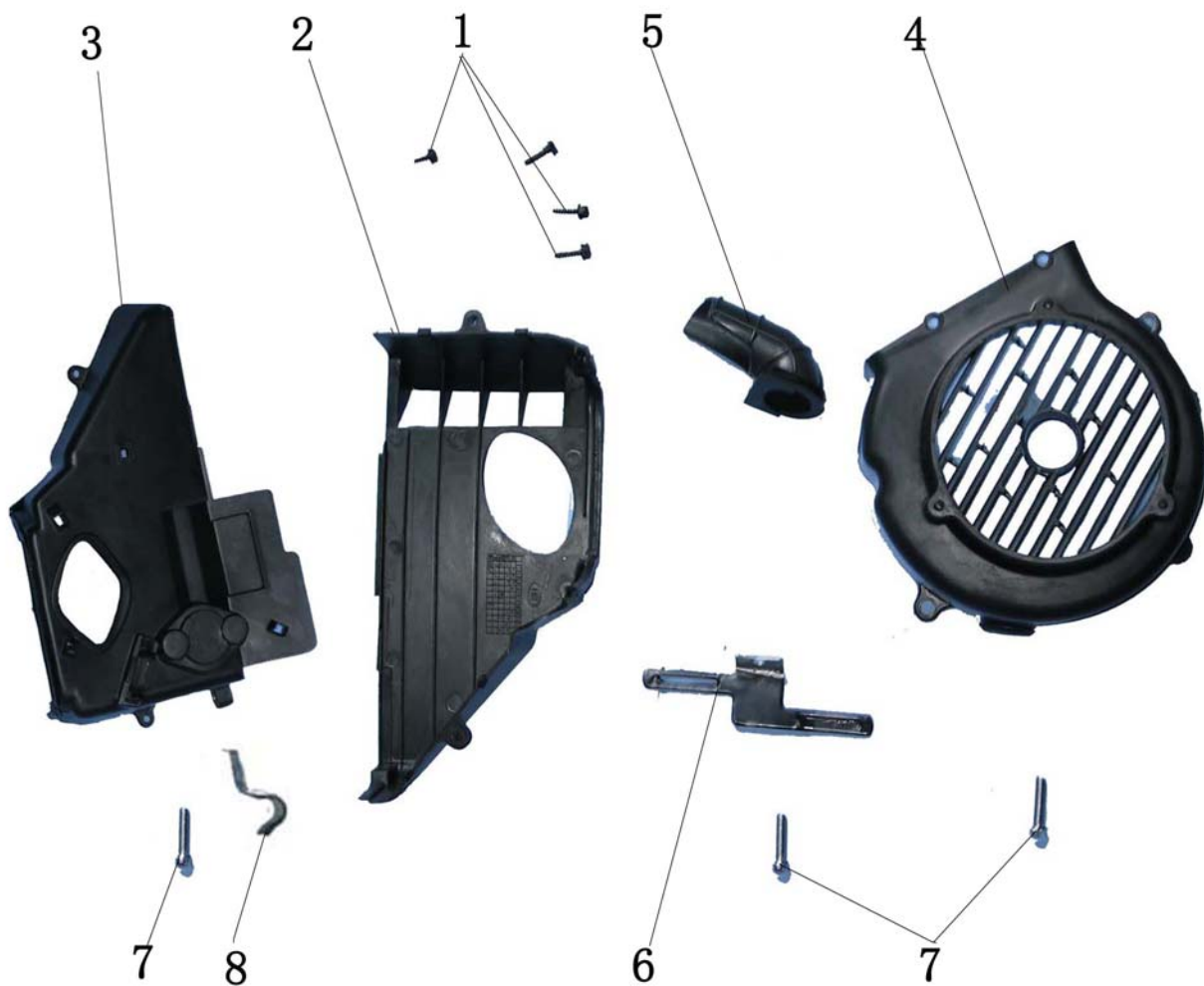
ATV-150



E8**CRANK CASE**

ITEM	PARTS NO.	DESCRIPTION	REQD. NO.	
			ATV-150	
1	81L-01210-00-00	L. SIDE CRANK CASE ASSY.	1	
2	81L-01241-00-00	MISSION BREATHER TUBE	1	
3	81L-01222-00-00	RR. CUSH UND RVB. BUSH	1	
4	S-5800-08012-03	SPECIAL BOLT 8MM	2	
5	S-4101-08165-40	PLATE WASHER 8MM	2	
6	81L-01291-00-00	BOLT M14X1.5	1	
7	S-6120-06203-00	BALL BEARING 6203	1	
8	S-1201-19830-50	OIL SEAL 19.8X30X5	1	
9	S-2800-12015-01	DRAIN PLUG BOLT 12MM	1	
10	S-4101-12225-40	DRAIN PLUG WASHER 12	1	
11	81L-01221-00-00	ENG. HANGER RUB. BUSH	2	
12	81L-03841-00-00	CAM CHAIN TENSIONER PIVOT	1	
13	S-1305-15160-00	O-RING 16X1.5	1	
14	81L-03811-00-00	C.C. TENSIONER	1	
15	81L-03121-00-00	CAM CHAIN	1	
16	81L-03814-00-00	C.C. GUIDE COMP.	1	
17	81L-02423-00-00	STUD BOLT B 8X195.5	2	
18	81L-02422-00-00	STUD BOLT A 8X187.5	2	
19	81L-08201-00-00	CRANK CASE GASKET	1	
20	S-4301-08140-00	DOWEL PIN 8X14	2	
21	S-6001-06050-01	FLANGE BOLT 6X50	2	
22	81L-01110-10-00	R. CRANK CASE ASSY.	1	
23	81L-01215-00-00	REVERSE BOLT ASSY	1	
24	S-6120-06202-00	BALL BEARING 6202	2	
25	S-6123-06204-00	BALL BEARING 6204JR2C3	1	
26	81L-15111-00-00	DRIVE SHAFT	1	
27	S-1201-30042-70	OIL SEAL 3020X42X7	1	

E9	CAMSHAFT	ATV-150
-----------	-----------------	----------------

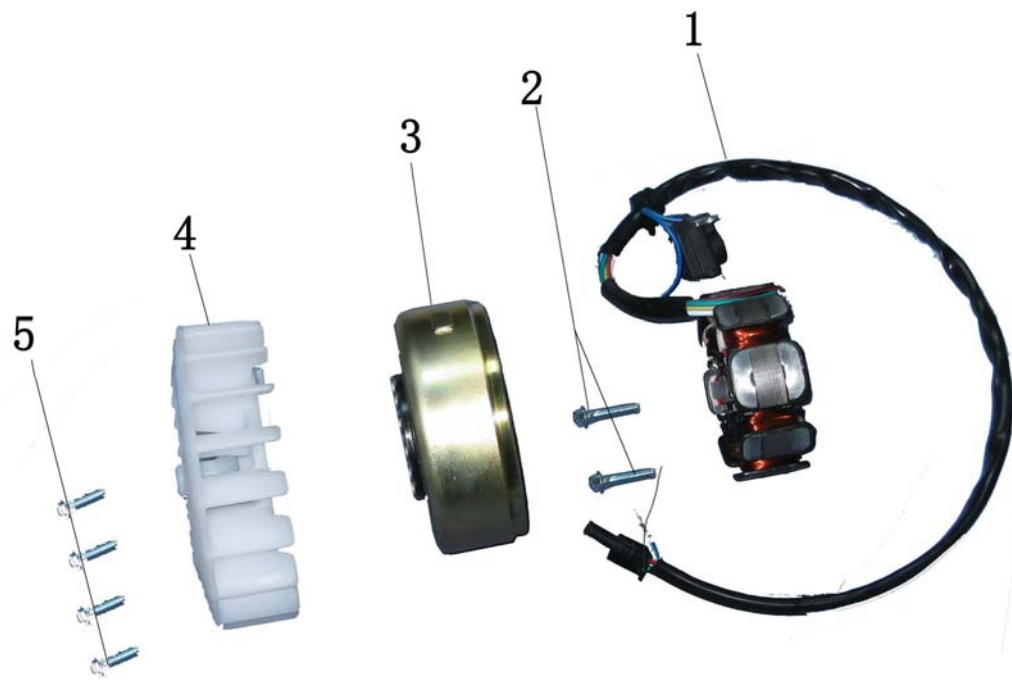


E9

CAMSHAFT

ITEM	PARTS NO.	DESCRIPTION	REQD. NO.	
			ATV-150	
1				
2	81L-07130-00-00	SHROUD A ASSY.	1	
3	81L-07120-00-00	SHROUD B ASSY.	1	
4	81L-07112-00-00	FAN COVER ASSY.	1	
5	81L-07114-00-00	FAN COVER ASSY.	1	
6	81L-22204-00-00	ST. MOTOR CORD CLAMPER	1	
7	S-6001-06025-01	FLANGE BOLT 6X25	3	
8	81L-09431-00-00	CARB. DRAIN TUBE CLAMPER	1	

E11	GENERATOR	ATV-150
------------	------------------	----------------

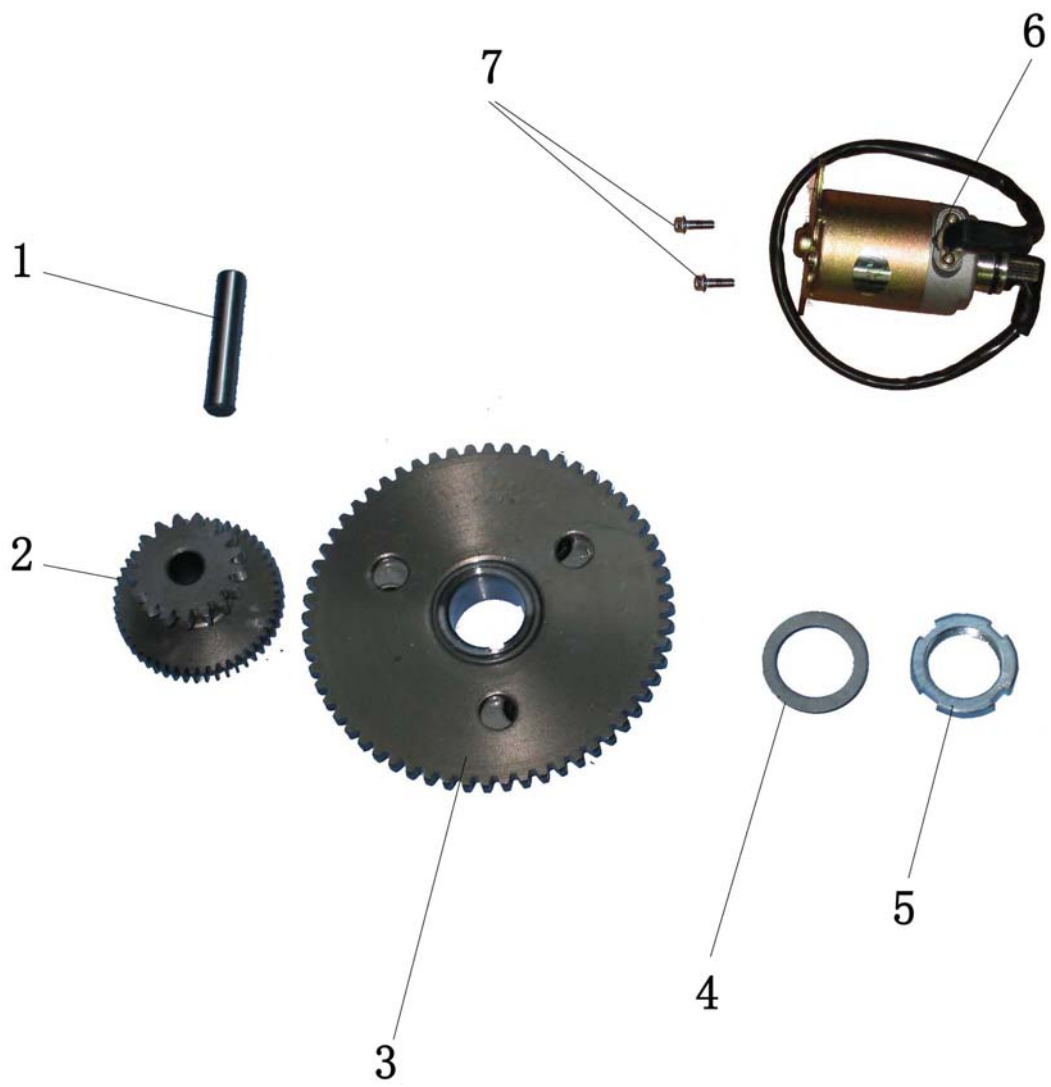


E11

GENERATOR

ITEM	PARTS NO.	DESCRIPTION	REQD. NO.	
			ATV-150	
1	81L-21130-00-00	STATOR COMP.	1	
2	S-6001-06020-01	FLANGE BOLT 6X20	2	
3	81L-21110-00-00	FLYWHEEL COMP.	1	
4	81L-07161-00-00	COOLING FAN COMP.	1	
5	S-6001-06018-01	FLANGE BOLT 6X18	4	

E12	STARTING MOTOR	ATV-150
------------	-----------------------	----------------



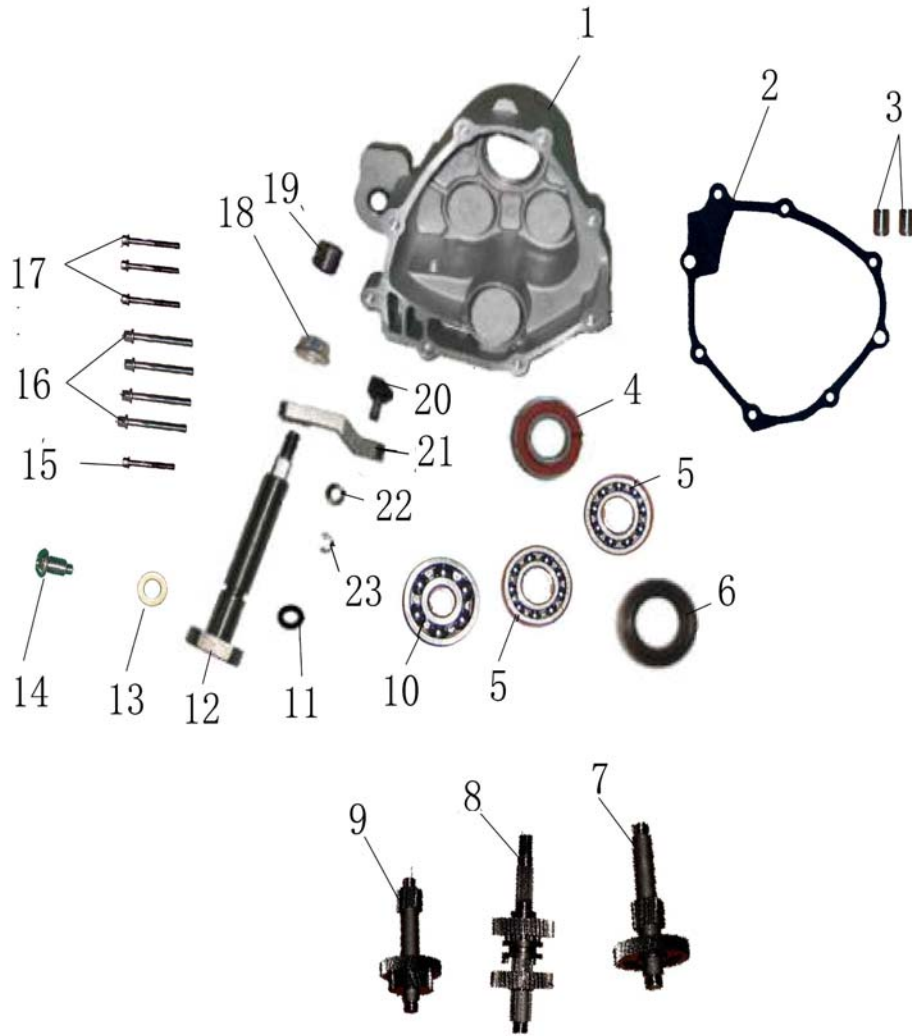
E12***STARTING MOTOR***

ITEM	PARTS NO.	DESCRIPTION	REQD. NO.	
			ATV-150	
1	81L-22321-00-00	STARTER REDUCTION GEAR	1	
2	81L-22311-00-00	ST. REDUCTN GEAR	1	
3	81L-22511-00-00	ST. CLUTCH GEAR COMP.	1	
4	S-4101-22316-03	THRUST WASHER 22.2X3	1	
5	81L-22441-00-00	LOCK NUT 22MM	1	
6	81L-22200-00-00	ST. MOTOR ASSY.	1	
7	S-6001-06016-01	FLANGE BOLT 6X16	2	

E13

GEARBOX

ATV-150



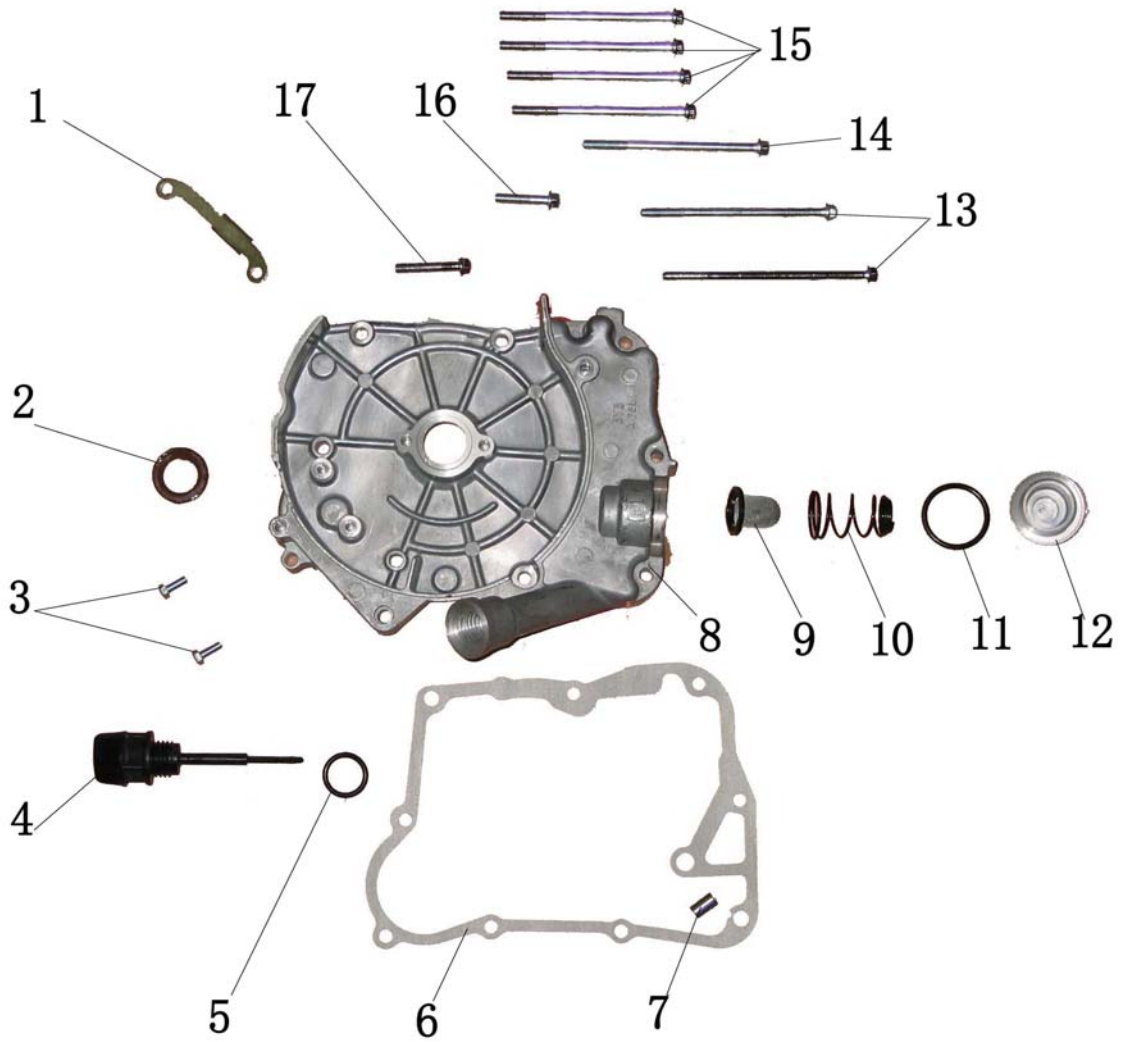
E13**GEARBOX**

ITEM	PARTS NO.	DESCRIPTION	REQD. NO.	
			ATV-150	
1	81L-01501-00-00	MISSION CASE	1	
2	81L-08203-00-00	MISSION CASE GASKET	1	
3	S-4301-08014-00	DOWEL PIN 8X14	2	
4	S-6123-06004-40	BALL BEARING 6004LLUC3/2	1	
5	S-6120-06202-00	BALL BEARING 6202	1	
6	S-1201-30042-70	OIL SEAL 30X42X7	1	
7	81L-16310-00-00	C-2 GEAR COMP.	1	
8	81L-16110-00-00	COUNTER SHAFT	1	
9	81L-16210-00-00	C-1 GEAR COMP.	1	
10	S-6120-06301-00	BALL BEARING 6301TMB	1	
11	S-1305-18112-00	O-RING 11.2X1.8	1	
12	81L-01541-00-00	TRANSFER SHAFT	1	
13	S-1201-12053-25	WASHER 12X5X1	1	
14	81L-19071-00-00	SPECIAL SCREW	1	
15	S-5701-06050-01	FLANGE BOLT 6X50	1	
16	S-5701-06070-01	FLANGE BOLT 6X70	4	
17	S-5701-06065-01	FLANGE BOLT 6X65	3	
18	81L-01541-00-00	SPECIAL NUT M8	1	
19	81L-01222-00-00	RR. CUSHION UNDER RUB. BUSH B	1	
20	81L-01522-00-00			
21	81L-01523-00-00			
22	81L-01524-00-00			
23	81L-01525-00-00			

E14

RIGHT CRANK CASE COVER

ATV-150



E14***RIGHT CRANK CASE COVER***

ITEM	PARTS NO.	DESCRIPTION	REQD. NO.	
			ATV-150	
1	81L-21133-00-00	A.C.G. CORD CLAMPER	1	
2	S-1201-19830-50	OIL SEAL 19.8X30X5	1	
3	S-6001-05012-03	FLANGE BOLT 5X12	2	
4	81L-05281-00-00	OIL LEVEL GAUGE	1	
5	S-1305-30180-00	O-RING 18X3	1	
6	81L-08231-00-00	R. CRANK CASE COVER	1	
7	S-4301-08140-00	DOWEL PIN 8X14	2	
8	81L-01401-00-00	R. CRANK CASE COVER	1	
9	91A-05232-00-00	OIL FILTER SCREEN	1	
10	81L-05233-00-00	OIL FILTER SCREEN SPRING	1	
11	S-1305-30300-00	O-RING 30X3	1	
12	81L-05231-00-00	TAP ADJ. HOLE CAP	1	
13	S-6001-06110-01	FLANGE BOLT 6X110	2	
14	S-6001-06100-01	FLANGE BOLT 6X100	1	
15	S-6001-06095-01	FLANGE BOLT 6X95	4	
16	S-6001-06032-01	FLANGE BOLT 6X32	1	
17	S-6001-06035-01	FLANGE BOLT 6X35	1	

E15

LEFT SIDE COVER

ATV-150



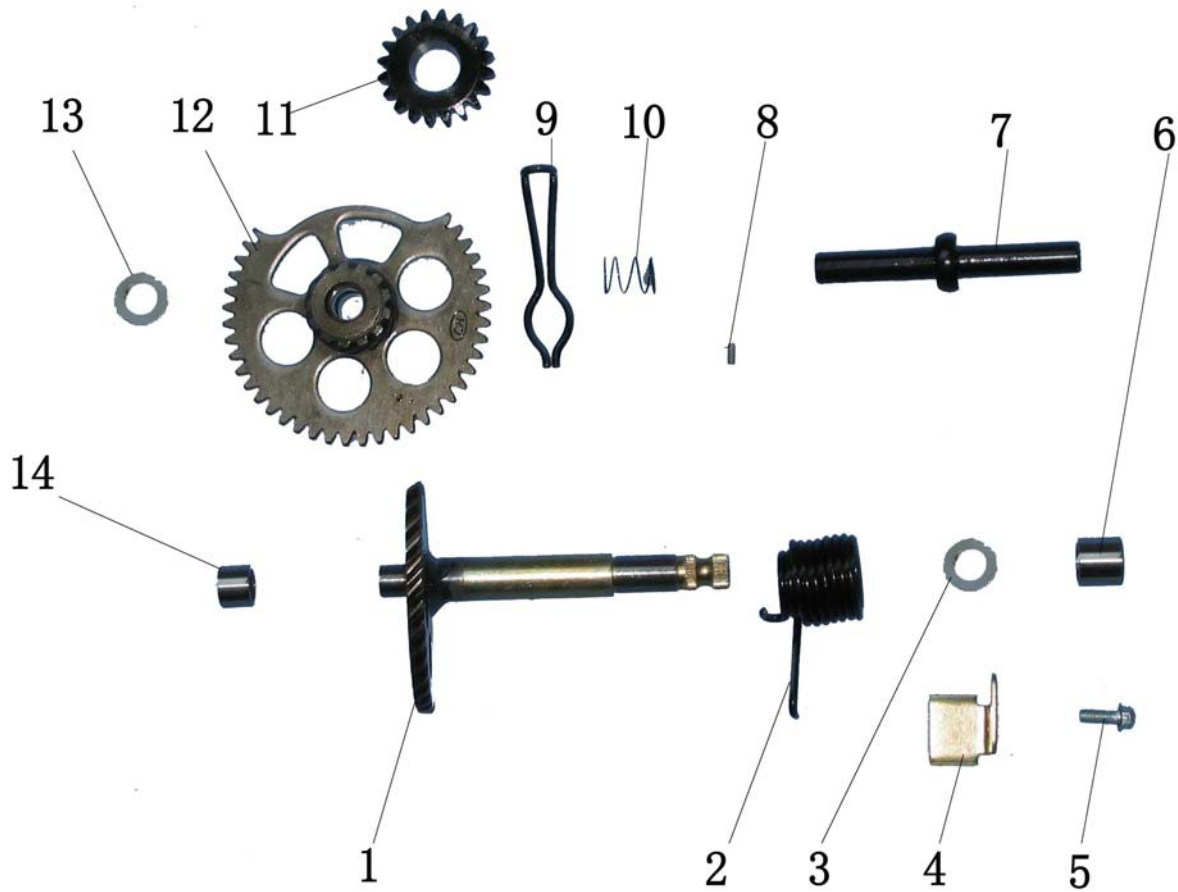
E15***LEFT SIDE COVER***

ITEM	PARTS NO.	DESCRIPTION	REQD. NO.	
			ATV-150	
1	81L-08241-00-00	L. COVER GASKET	1	
2	81L-01301-00-79	L. CRANK CASE COVER	1	
3	81L-01322-00-00	BRAKE CABLE CLAMPER	1	
4	S-6001-06040-01	FLANGE BOLT 6X40	7	
5	81L-01323-00-00	THROTTLE CABLE CLAMPER	1	
6	81L-01325-00-00	BREATHER DRAIN TUBE	1	
7	S-6001-06100-01	FLANGE BOLT 6X100	1	
8	81L-17111-00-00	KICK ST. ARM ASSY.	1	
9	S-6001-06022-02	FLANGE BOLT 6X22	1	

E16

DRIVE FACE

ATV-150



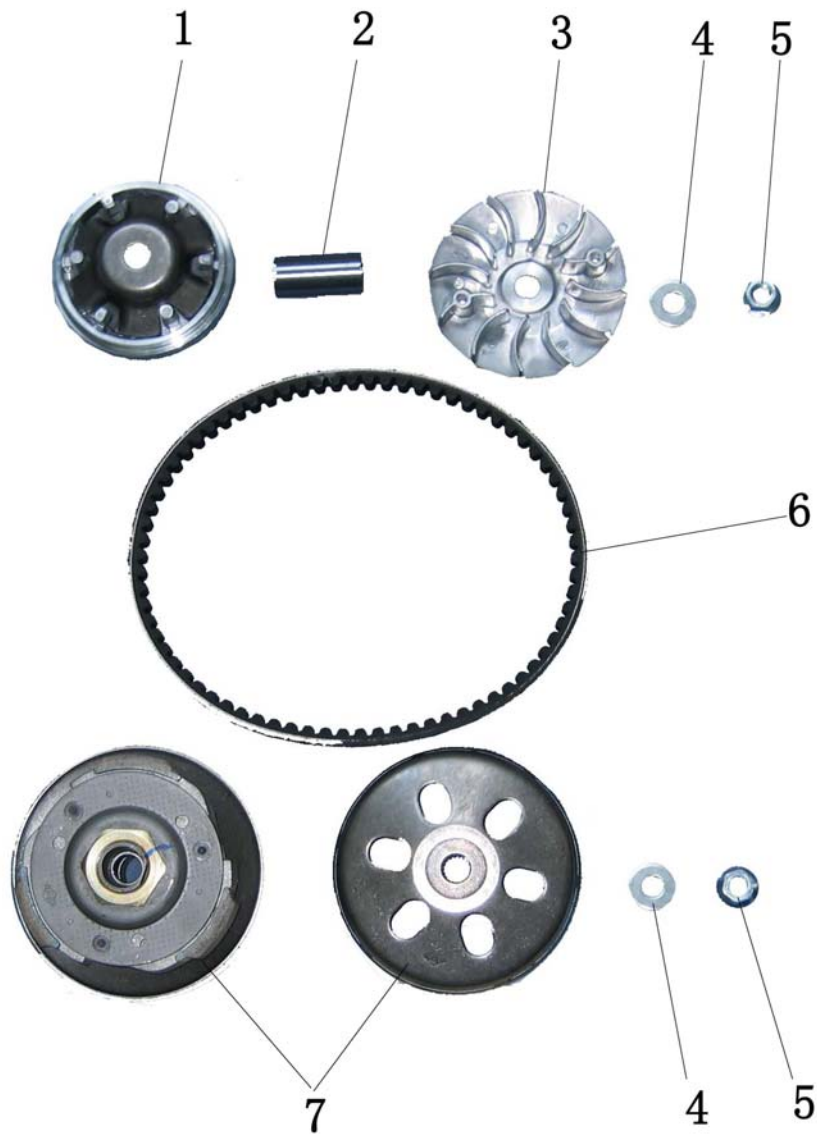
E16***DRIVE FACE***

ITEM	PARTS NO.	DESCRIPTION	REQD. NO.	
			ATV-150	
1	81L-17130-00-00	KICK STARTER SPINDLE COMP.	1	
2	81L-17141-00-00	ST. KICK SPRING	1	
3	S-4101-17271-20	PLATE WASHER 17MM	1	
4	81L-17141-00-00	ST. KICK SPRING CLAMPER	1	
5	S-6001-06014-02	FLANGE BOLT 6X14	1	
6	81L-17172-00-00	KICK SPNDL BUSH 17X21X16	1	
7	81L-17256-00-00	PRI. STATRER GEAR SHAFT	1	
8	81L-17151-00-00	SPECIAL PIN 4.5MM	1	
9	81L-17224-00-00	ST. GEAR FRICTION SPG.	1	
10	81L-17254-00-00	ST. GEAR SPG.	3	
11	81L-17211-00-00	PRI. STARTER IDLE GEAR	1	
12	81L-17255-00-00	RAMP GEAR	1	
13	81L-17257-00-00	GASKET	1	
14	81L-17173-00-00	BOSS	1	

E17

DRIVEN PULLEY

ATV-150



E17***DRIVEN PULLEY***

ITEM	PARTS NO.	DESCRIPTION	REQD. NO.	
			ATV-150	
1	81L-12110-00-00	MOVABLE DRIVE FACE COMP.	1	
2	81L-12133-00-00	DRIVE FACE BOSS	1	
3	81L-12131-00-00	DRIVE FACE	1	
4	S-4101-12296-20	PLATE WASHER 12MM	2	
5	S-4060-12000-13	FLANGE NVT M12X1.25	2	
6	81L-12211-00-00	DRIVE BELT	1	
7	81L-12400-00-00	DRIVEN PULLEY ASSY.	1	
8	81L-12124-00-00	SLIDE PIECE	3	
9	81L-12123-00-00	RAMP PLATE	1	
10	81L-12121-00-00	WEIGHT ROLLER COMP.	6	
11	81L-12129-00-00	SPACER	1	