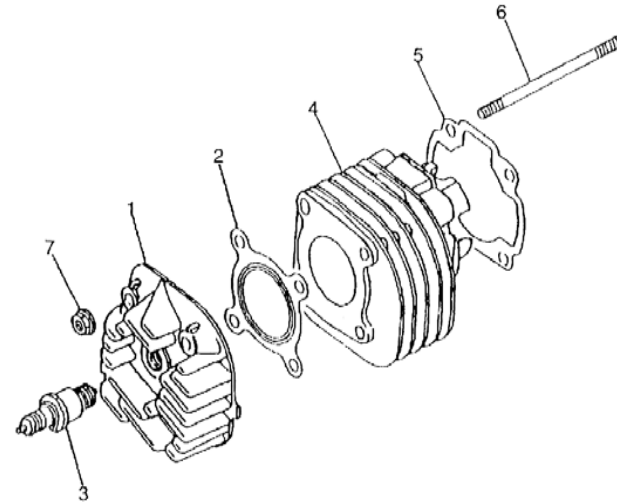


ENGINE PARTS LIST OF 50CC

气缸总成

CYLINDER HEAD ASSY

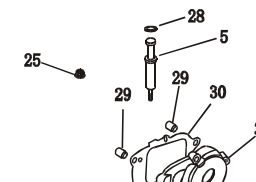
NO	CODE	DESCRIPTION	QTY	REMARKS
1	90A-02511-10-00	HEAD , CYLINDER	1	Aragon GP
	90A-02511-20-00	HEAD , CYLINDER	1	Aragon S-line
2	90A-08111-00-00	GASKET , CYLINDER HEAD	1	Purple chrome
3	90A-23111-00-00	SPARK PLUG(NGK-BR7ES)	1	Sport、 City/S-line
	90A-23111-20-00	SPARK PLUG(NGK-BR9ES)	1	Aragon GP 45km/h Aragon GP58km/h 瑞士版
	90A-23111-30-00	SPARK PLUG(NGK-BR10ES)	1	Sport、 City/S-line Aragon GP20km/h
4	90A-02401-00-0B	CYLINDER	1	Sport、 City/S-line
	90A-02401-01-00	ALNMINIUM CYLINDER	1	ARAGON GP
	90A-02401-11-0B	ALNMINIUM CYLINDER	1	ARAGON GP
	90A-02401-20-00	CYLINDER	1	Aragon
5	90A-08216-00-00	GASKET , CYLINDER	1	
6	90A-02422-00-0A	STUD BOLT	4	112, chrome plate
	90A-02422-10-0A	STUD BOLT (NEW)	4	110, chrome plate
7	B04-07-07000-54	NUT M7	4	CHROME PLATED



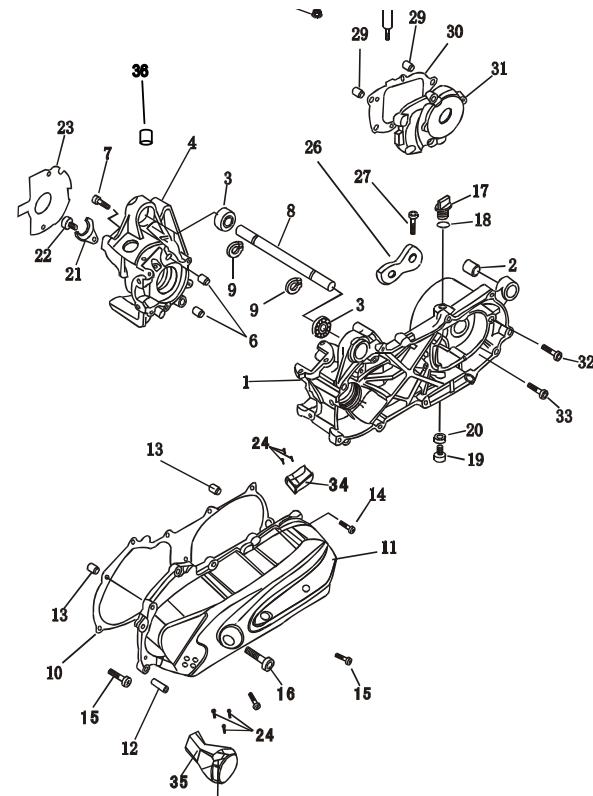
曲轴箱分总成

CRANKCASE ASSY

NO	CODE	DESCRIPTION	QTY	REMARKS
1	90A-01201-00-00	CRANKCASE,LH	1	
2	90A-01223-00-00	GROMMET	1	
3	90A-01276-00-00	BEARING 6003LU	2	
4	90A-01101-00-00	CRANKCASE,RH	1	
6	90A-01271-00-00	DOWEL PIN 12×16	2	
7	B01-07-06035-60	PAN HEAD SCREW M6×35	6	STAINLESS



	B01-07-06035-64	PAN HEAD SCREW M6×35	6	CHROME PLATED
8	90A-01275-00-05	AXLE,engine mount	1	ZINC PLACED
9	B08-01-00017-00	CIRCLIP 17	2	BLACK
10	90A-08205-00-00	GASKET,L CRANKCASE	1	
11	90A-01301-10-71	COVER (NEW WHITE)	1	OLIVER CITY
	90A-01301-10-65	COVER (NEW BLACK)	1	OLIVER SPORT
	90A-01301-10-66	COVER (NEW BLACK)	1	Aragon GP
	90A-01301-10-95	COVER (NEW SILVER)	1	Aragon (S-line)
12	90A-17256-00-00	IDLE GEAR	1	
13	90A-01273-00-00	DOWEL PIN 10×14	2	
14	B01-07-06025-60	PAN HEAD SCREW M6×25	8	STAINLESS
	B01-07-06025-64	PAN HEAD SCREW M6×25	8	CHROME PLATED
15	B01-07-06035-60	PAN HEAD SCREW M6×35	1	STAINLESS
	B01-07-06035-64	PAN HEAD SCREW M6×35	1	CHROME PLATED
16	B01-07-06065-60	PAN HEAD SCREW M6×65	1	STAINLESS
	B01-07-06065-64	PAN HEAD SCREW M6×65	1	CHROME PLATED
17	90A-01251-00-00	OIL PLUG	1	BLACK
18	90A-01252-00-00	O RING	1	
19	B01-07-08012-60	FLANGE BOLT M8×12	1	STAINLESS
	B01-07-08012-64	FLANGE BOLT M8×12	1	CHROME PLATED
20	B07-03-00008-00	PLATE WASHER	1	ALUM.
21	90A-01161-00-00	OIL SEAL HOLDER	1	
22	B01-07-06012-63	PAN HEAD SCREW M6×12	1	ZINC PLACED
23	90A-08256-00-00	GASKET	1	
24	B05-00-35014-00	SCREW ST3.5×14	3	STAINLESS
	B05-00-35012-00	SCREW ST3.5×12	3	STAINLESS
25	B04-17-08000-53	NUT M8	1	ZINC PLACED
26	90A-01282-00-00	BEARING HOLDER	1	
27	B01-07-06012-63	PAN HEAD SCREW M6×12	2	ZINC PLACED
28	90A-01262-00-00	O-RING10.6×1.8	1	
29	90A-01271-00-00	DOWEL PIN 12×16	2	
30	90A-08203-00-00	MISSION CASE GASKET	1	
31	90A-01501-00-00	MISSION CASE	1	
32	B01-07-08055-60	SCREW M8×55	2	STAINLESS
33	B01-07-08050-60	SCREW M8×50	5	STAINLESS

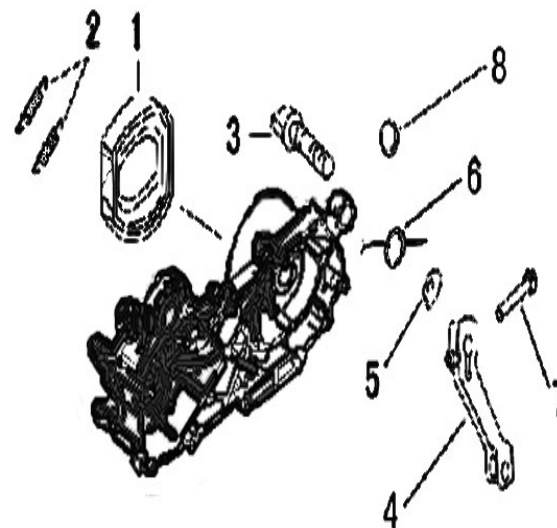


34	90A-01362-00-00	AIR DUCT-OUTLET	1	
35	90A-01361-00-00	AIR DUCT-INLET	1	
36	90A-01103-00-00	rubber plug	1	
37	90A-01000-00-00	CRANKCASE ASSY	1	

后制动总成

BRAKE SHOE KIT

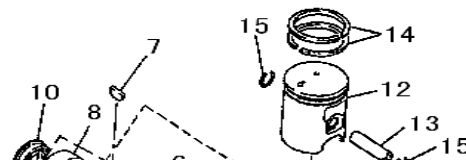
NO	CODE	DESCRIPTION	QTY	REMARKS
1	90A-46420-10-00	BRAKESHOEKIT	2	Aragon、Aragon GP
2	90A-46461-00-00	SPRING	2	
2	90A-46621-20-05	CAM SHAFT (lengthen)	1	ZINC PLACED
4	90A-46451-00-03	CAM SHAFT LEVER	1	ZINC PLACED
5	90A-46615-00-00	INDICATOR PLATE	1	STAINLESS
6	90A-46635-00-08	INDICATOR PLATE	1	
7	B01-09-06030-64	HEX.BOLTM6×30	1	CHROME PLATED
8	90A-46445-20-00	DUST SEAL9.5×1.5	1	Aragon、Aragon GP
1	90A-46420-10-00	BRAKESHOEKIT	2	Aragon、Aragon GP
2	90A-46461-00-00	SPRING	2	
2	90A-46621-20-05	CAM SHAFT (lengthen)	1	ZINC PLACED
4	90A-46451-00-03	CAM SHAFT LEVER	1	ZINC PLACED
5	90A-46615-00-00	INDICATOR PLATE	1	STAINLESS
6	90A-46635-00-08	INDICATOR PLATE	1	
7	B01-09-06030-64	HEX.BOLTM6×30	1	CHROME PLATED
8	90A-46445-20-00	DUST SEAL9.5×1.5	1	Aragon、Aragon GP



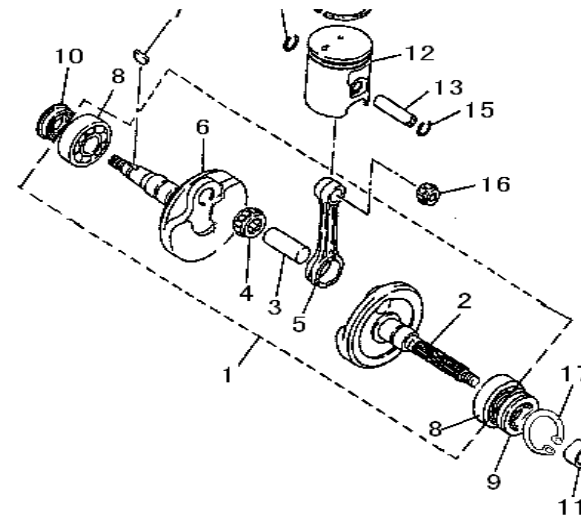
活塞连杆曲轴分总成

PISTON CRANKSHAFT CONNECTING ROD ASSY

NO	CODE	DESCRIPTION	QTY	REMARKS
1	90A-04110-00-00	CRANKCHAFT , ASSY	1	
2	90A-04112-00-00	CRANKSHAFT , LH	1	



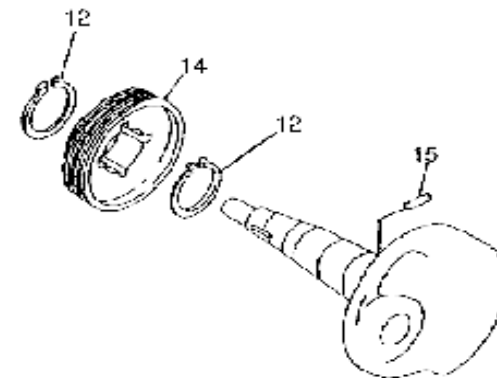
3	90A-04131-00-00	CRANK PIN	1	
4	90A-04115-00-00	NEEDLE BEARING	1	
5	90A-04114-00-00	SONNECTING SHAFT	1	INCLUDED IN ITEM 1
6	90A-04111-00-00	CRANKSHAFT , RH	1	INCLUDED IN ITEM 1
7	90A-04151-00-00	WOODRUFF KEY 3×5×13	1	
8	90A-04161-00-00	BEARING 6204	2	
9	90A-01215-00-00	OIL SEAL 20×42×8	1	
10	90A-01113-00-00	OIL SEAL ASSY 20×30×6	1	
11	90A-22451-00-00	COLLAR	1	
12	90A-02611-00-0B	PISTON		
	90A-02611-01-00	PISTON ASSY (GTR)	1	Aragon GP
13	90A-02631-00-00	PISTON PIN	1	
14	90A-02620-00-00	PISTON RING ASSY	2	
15	90A-02632-00-00	CIRCLIP	2	
16	90A-04116-00-00	NEEDLE BEARING	1	
17	B08-00-00043-00	CIRCLIP 43	1	BLACK



机油泵分总成

OIL PUMP ASSY

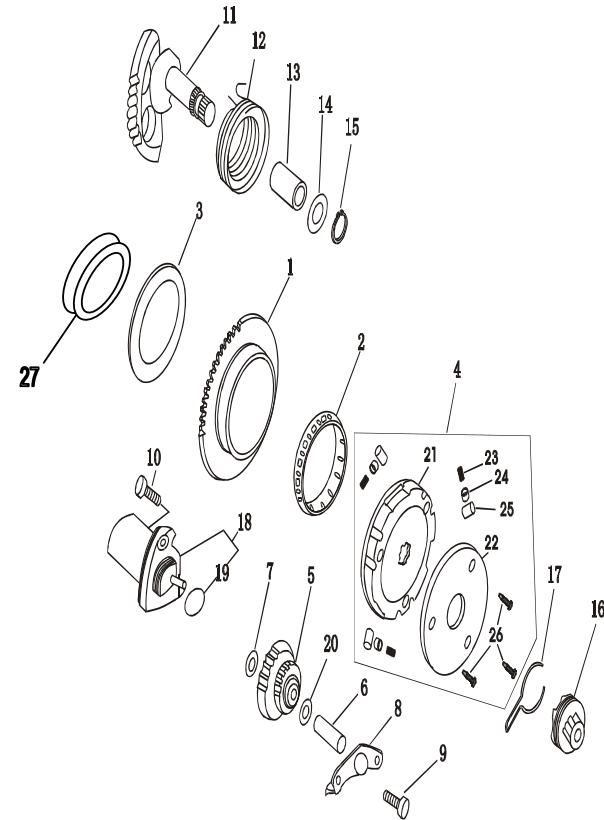
NO	CODE	DESCRIPTION	QTY	REMARKS
1	90A-05100-00-00	OIL PUMP ASSY	1	502
2	B02-00-04008-23	SCREW M4×8	1	
3	90A-05151-00-00	WASHER 5	1	
4	90A-05152-00-00	O-RING 19×1.8	1	
5	90A-05141-00-00	GEAR	1	
6	90A-05161-00-00	PIN 3×13.8	1	
7	B08-05-00008-00	CIRCLIP 8	1	
8	90A-05266-20-00	HOSE	1	300、TRANS.
9	90A-05267-00-00	HOSE CLIP	2	ZINC PLACED
10	90A-05265-01-00	HOSE		245、TRANS.
11	90A-05268-00-00	HOSE CLIP	1	ZINC PLACED



起动机总成

KICK STARTER ASSY

NO	CODE	DESCRIPTION	QTY	REMARKS
1	90A-17231-00-00	START GEAR ASSY	1	
2	90A-17232-00-00	NEEDLE BEARING	1	
3	90A-17234-00-00	THRUST WASHER	1	
4	90A-22420-00-00	START CLUTCH ASSY	1	
5	90A-22361-00-00	IDLE GEAR	1	
6	90A-22362-00-00	IDLE GEAR SHAFT		
7	90A-22363-00-00	PLATE WASHER 8×16×2.5	1	ZINC PLACED
8	90A-22364-00-00	IDLE GEAR HOLDER	1	
9	B01-07-06010-63	SCREW M6×10	2	ZINC PLACED
10	B02-05-06020-00	SCREW M6×20	2	STAINLESS
11	90A-22514-10-05	SHAFT, kick starter (silver)	1	oliver city
	90A-22514-10-08	SHAFT, kick starter (black)	1	oliver sport
12	90A-22515-00-00	SPRING	1	
13	90A-22516-00-00	BUSH	1	
14	90A-22517-00-00	WASHER ,kick starter	1	ZINC PLACED
15	B08-01-00015-00	CIRCLIP 15	1	BLACK
16	90A-22518-00-00	KICK PINION ASSY	1	
17	90A-22519-00-00	CLIP	1	
18	90A-22522-00-00	STARTING MOTOR ASSY	1	
20	90A-22524-00-00	PLATE WASHER 8×16×1	1	ZINC PLACED
21	90A-22426-00-00	COVER	1	
22	90A-22427-00-00	PLASTIC RING	1	
23	90A-22428-00-00	SPRING	3	
24	90A-22429-00-00	CAP	3	

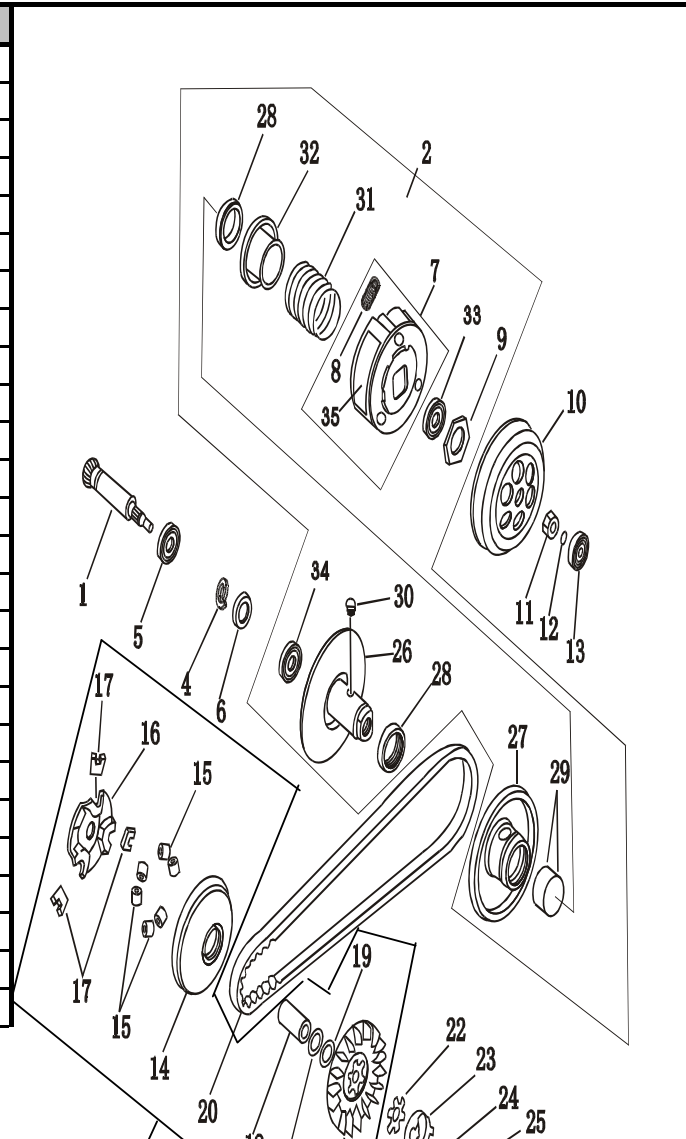


25	90A-22413-00-00	ROLLER	3	
26	B05-09-48011-00	TAPPING SCREW ST4.8×11	3	
27	90A-01291-00-00	GEAR BOSS	1	

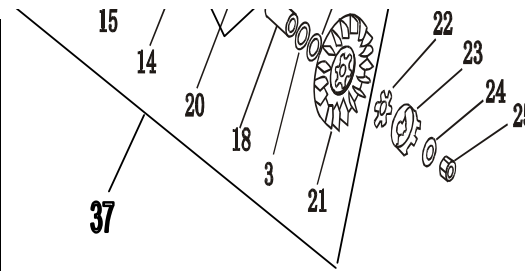
传动机构总成

CLUTCH ASSY

NO	CODE	DESCRIPTION	QTY	REMARKS
1	90A-15111-10-00	PRIMARY DRIVE GEAR	1	OLIVER
	90A-15111-20-00	PRIMARY DRIVE GEAR	1	Aragon/Aragon GP
2	90A-11100-20-00	DRIVEN PULLEY & CLUTCH ASSY		OLIVER
	90A-11100-30-00	DRIVEN PULLEY & CLUTCH ASSY		Aragon S-line /GP
3	90A-12122-22-00	WASHER	1	4.8×21×29
4	B08-01-00017-00	CIRCLIP 17	1	BLACK
5	90A-15112-10-00	ROLLING BEARING 6203 (New)	1	
6	90A-15113-00-00	OIL SEAL 17X35X7	1	
7	90A-11110-00-00	CLUTCH ASSY,shoe	1	
8	90A-11111-20-00	SPRING	3	Aragon S-line、 Aragon GP
9	90A-11112-00-01	NUT M28×1	1	
10	90A-11113-00-00	HOUSING	1	
11	B04-04-10001-50	NUT M10×1	1	ZINC PLACED
12	90A-15114-00-00	O-RING 6.7×3	1	
13	90A-15115-00-00	BEARING 638Z	1	
14	90A-12111-00-00	FACE,movable drive	1	
15	90A-12121-00-00	ROLLER6.3g	6	T17 /45km/h Taiwan
	90A-12121-10-00	ROLLER5.8g	6	Aragon - OPEN Taiwan
16	90A-12131-00-00	PLATE,movable drive	1	
17	90A-12141-00-00	DAMPER	3	
18	90A-12112-00-00	COLLER	1	
19	90A-12113-00-00	WASHER	1	
20	90A-12211-00-00	V BELT , DRIVE	1	
21	90A-12114-00-00	FACE , FIXED DRIVE	1	
22	90A-12115-00-00	PLATE , WOODRUFF KEY	1	
23	90A-12116-00-00	STARTING DISC	1	



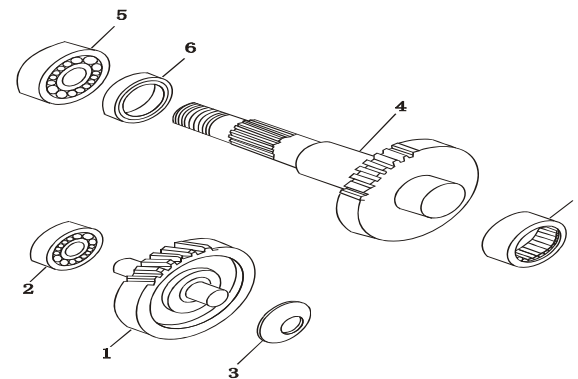
24	90A-12117-00-00	WASHER , SPRING	1	
25	B04-01-12125-53	NUT M12×1.25	1	ZINC PLACED
26	90A-11114-00-00	FACE , FIXED DRIVEN	1	
27	90A-11115-00-00	FACE , MOVABLE DRIVEN	1	
28	90A-11116-00-00	OIL SEAL 33×39×4	1	
29	90A-11117-00-00	O-RING 1.7×38.7	2	
30	90A-11118-00-00	PIN , GUIDE	1	
31	90A-11119-10-00	SPRING	1	Aragon /T17 45km/h
	90A-11119-20-00	SPRING		Aragon GP45/58km/h
32	90A-11151-00-00	SEAT , SPRING	1	
33	90A-11152-00-00	ROLLER BEARING	1	
34	90A-11153-00-00	NEEDLE BEARING	1	
35	90A-11154-00-00	SHOE	3	
36	90A-12118-00-00	SPRING	1	TAIWAN PART
37	90A-12100-30-00	FACE , MOVABLE DRIVEN (45km/h)	1	ARAGON GP
	90A-12100-40-00	FACE , MOVABLE DRIVEN (58km/h)	1	
	90A-12100-70-00	FACE , MOVABLE DRIVEN (45km/h)	1	ARAGON
	90A-12100-80-00	FACE , MOVABLE DRIVEN (58km/h)	1	



变速系统分总成

TRANSMISSION SYSTEM ASSY

NO	CODE	DESCRIPTION	QTY	REMARKS
1	90A-16110-00-00	SHAFT , IDLE	1	TAIWAN PART
	90A-16110-10-00	SHAFT , IDLE	1	
2	90A-16114-00-00	BEARING 6200	2	
3	90A-16115-00-00	WASHER , thrust	1	
4	90A-16170-00-00	SHAFT , REAR BOX	1	TAIWAN PART
	90A-16170-10-00	SHAFT , REAR BOX	1	
	90A-16171-11-00	SHAFT , OUTPUT	1	
	90A-16172-11-00	GEAR , OUTPUT	1	
5	90A-16173-00-00	NEEDLE BEARING 6004LL1A	1	
6	90A-16174-00-00	OIL SEAL 25×44×7	1	

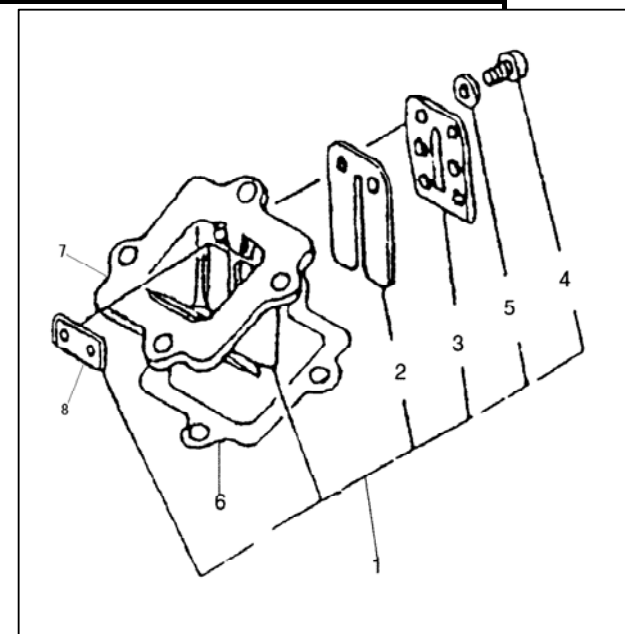


7	90A-16175-00-00	NEEDLE BEARING6202	1	
---	-----------------	--------------------	---	--

进气阀分总成

REED VALVE ASSY

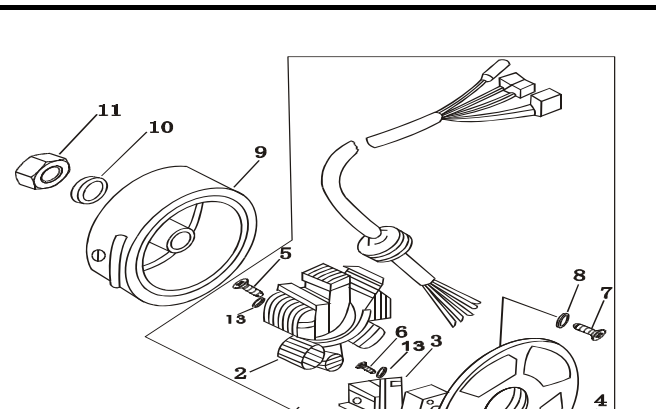
NO	CODE	DESCRIPTION	QTY	REMARKS
1	90A-03200-00-00	REED VALVE ASSY	1	DOUBLE OPEN, 6.5
2	90A-03202-00-00	REED VALVE	2	
3	90A-03203-00-00	REED VALVE STOPPER	2	
4	B02-00-03008-60	SCREW M3×8	4	
5	B07-00-00003-60	WASHER	4	
6	90A-03204-00-00	VALVE SEAT GASKET	1	
	90A-03204-10-00	VALVE SEAT GASKET (new)	1	
7	90A-03205-00-00	VALVE SEAT	1	
8	90A-03206-00-00	REED VALVE GASKET	2	



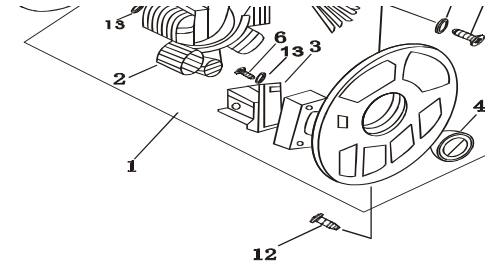
磁电机总成

MAGNETO ASSY

NO	CODE	DESCRIPTION	QTY	REMARKS
1	90A-21101-00-00	STATOR ASSY	1	
2	90A-21121-00-00	COIL GROUP	1	
3	90A-21136-00-00	PULSE TRIGGER	1	
4	90A-21134-00-00	OIL SEAT	1	
5	B02-00-05025-03	SCREW M5×25	2	ZINC PLACED
6	B02-00-05012-03	SCREW M5×12	2	ZINC PLACED
7	B02-00-04006-03	SCREW M4×6	1	ZINC PLACED



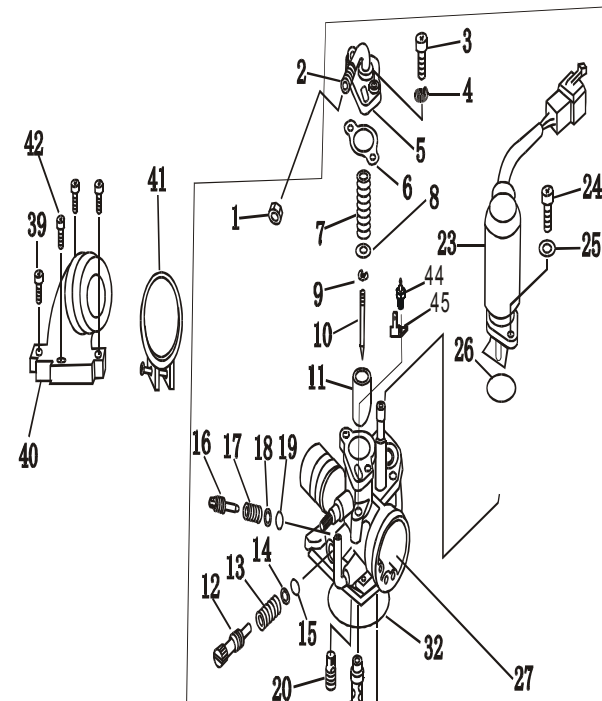
8	B07-00-00004-03	WASHER	1	
9	90A-21111-00-00	ROTOR ASSY	1	17°
10	B07-03-00013-03	WASHER13×23.5×2.5	1	ZINC PLACED
11	B04-07-12125-53	NUT M12×1.25	1	ZINC PLACED
12	B13-04-06016-03	SCREW M6×16	2	ZINC PLACED
	B01-07-06016-63	PAN HEAD SCREW M6×16	2	ZINC PLACED



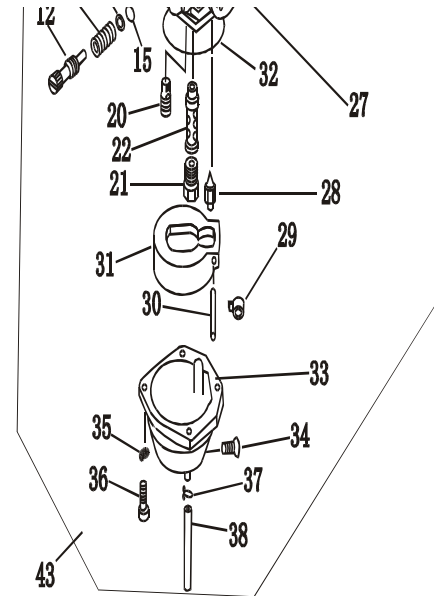
化油器分总成

CARBURETOR ASSY

NO	CODE	DESCRIPTION	QTY	REMARKS
1	90A-09452-00-00	FIX SCREW	1	
2	90A-09451-00-00	INSTRANT PIPE	1	
3	B02-00-04012-00	SCREW	2	
4	B07-00-00004-00	WASHER	2	
5	90A-09453-00-00	CAP	1	
6	90A-09454-00-00	GASKET	1	
7	90A-09456-00-00	SPRING , return	1	
8	90A-09457-00-00	CLIPMM,V shape	1	
9	90A-09458-00-00	CLIP	1	
10	90A-09459-00-00	NEEDLE, jet3D01		Aragon , Sport, city
	90A-09459-10-00	NEEDLE, jet3N17	1	Aragon GP45/58km/h
11	90A-09455-10-00	VALVE, PISTON 3.0×28	1	30、45、58km/h
	90A-09455-20-00	VALVE, PISTON3.5×28	1	Aragon GP45/58km/h
12	90A-09461-00-00	SCREW, idle speed	1	
13	90A-09462-00-00	SPRING, speed screw	1	
14	90A-09463-00-00	WASHER, speed screw	1	
15	90A-09464-00-00	O RING, speed screw	1	
16	90A-09465-00-00	SCREW, air	1	



17	90A-09466-00-00	SPRING, air screw	1	
18	90A-09467-00-00	WASHER, air screw	1	
19	90A-09468-00-00	O RING, air screw	1	
20	90A-09469-00-00	JET, idle15	1	Sport, city, Aragon
	90A-09469-10-00	JET, idle17.5	1	Aragon GP
21	90A-09479-10-00	JET, main(47.5)	1	OLIVER /ARAGON 45km/h
	90A-09479-20-00	JET, main(57.5)	1	OLIVER 58km/h
	90A-09479-30-00	JET, main(52.5)	1	Aragon GP58km/h
22	90A-09489-00-00	JET, needle426E-1	1	Sport, city
	90A-09489-10-00	JET, needle426D8	1	Aragon GP45/58km/h
	90A-09489-20-00	JET, needle426D9	1	Aragon
23	90A-09499-00-00	JOKER VALVE	1	
24	90A-09498-00-00	SCREW	1	
25	B07-00-00004-00	WASHER	2	
26	90A-09497-00-00	SEAL	1	
27	90A-09471-00-00	BODY, carburetor	1	
28	90A-09472-00-00	VALVE, needle	1	
29	90A-09473-00-00	HOOK	1	
30	90A-09481-00-00	PIN, float	1	
31	90A-09482-00-00	FLOAT	1	
32	90A-09475-00-00	GASKET	1	
33	90A-09474-00-00	CHAMBER, float	1	
34	90A-09476-00-00	SCREW	1	
35	B07-00-00004-00	WASHER	1	
36	90A-09477-00-00	SCREW	1	
37	90A-09488-00-00	CLIP	1	
38	90A-09478-00-00	HOSE, drain	1	
39	B02-05-06020-00	SCREW M6×20	3	STAINLESS
	B02-05-06020-04	SCREW M6×20	3	CHROME PLATED
40	90A-09491-00-00	PIPE, intake	1	Φ20、3XG
	41	CLIP	1	
42	90A-09412-00-00	SCREW	1	STAINLESS
43	90A-09450-21-00	CARBURETOR ASSY	1	Aragon GP45km/h
	90A-09450-22-00	CARBURETOR ASSY	1	Aragon(S-line) 45km/h
	90A-09450-31-00	CARBURETOR ASSY	1	Aragon GP58km/h

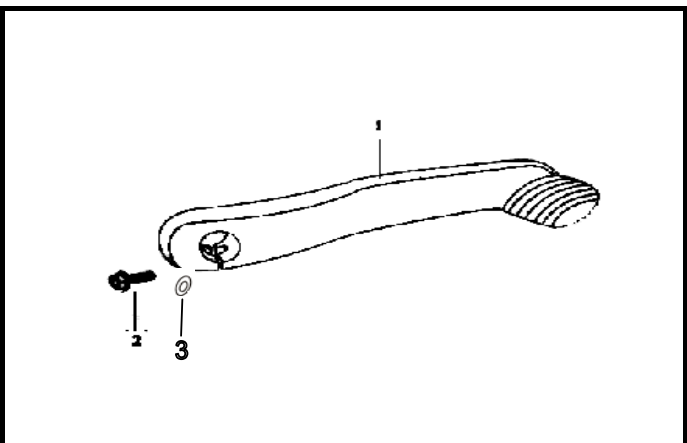


	90A-09450-32-00	CARBURETOR ASSY	1	Aragon(S-line) 58km/h
44	90A-09494-00-00	PLUG A	1	
	90A-09495-01-00	PLUG B	1	

脚起动蹬杆

KICK STARTER

NO	CODE	DESCRIPTION	QTY	REMARKS
1	90A-17100-30-71	STARTING SHAFT (MODIFIED , WHIT	1	oliver city
1	90A-17100-30-65	STARTING SHAFT (MODIFIED , BLAC	1	oliver sport Aragon S-line Aragon GP
2	B01-13-06025-60	SCREW M6×25	1	STAINLESS
3	B07-00-00006-00	WASHER 6	1	STAINLESS



发动机总成

ENGINE ASSY

NO	CODE	REMARKS
	90A-00000-30-00	City 45km/h
	90A-00000-40-00	City 58km/h
	90A-00000-30-10	Sport 45km/h
	90A-00000-40-10	Sport 58km/h
	90A-00000-30-20	S-line 45km/h
	90A-00000-40-20	S-line 58km/h
	90A-00000-30-30	GP 45km/h
	90A-00000-40-30	GP 58km/h
	90A-00000-30-40	Formula 45km/h
	90A-00000-40-40	Formula 58km/h