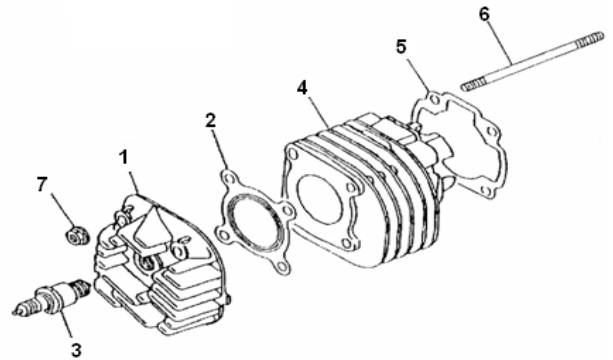


QJ1E40QMB-4 JCK-(Q07-01)-B08(双灯)-1A(1010208.01501)

目录	备注
1 气缸总成	仿欧II气缸盖，火花塞型号：E借用
2 曲轴箱分总成	左曲轴箱搭子不铣掉，外露零件镀铬
3 侧盖分总成	欧II款，字样：光板，银白色漆，侧盖固定螺钉：欧II镀铬
4 活塞连杆曲轴分总成	欧I销孔加大(轴承TPI)
5 机油泵分总成	带拉线50CC(打502标记)进油管长度：360±5，出油管长度：280±5
6 导风罩分总成	含防尘盖,光板，外露件镀铬
7 起动分总成	马达线长度：460~470，起动借用
8 传动机构总成	离合器滚珠重量5克，结构为左半(正常型50-5-8)+右半(正常型50-5.0.1)
9 变速系统分总成	40-4齿轮箱齿轮)
10 进气阀分总成	正常型，双开、正常，断头螺借用
11 磁电机总成	15° 借用
12 化油器总成	三国，主量孔70，不限速，无借用

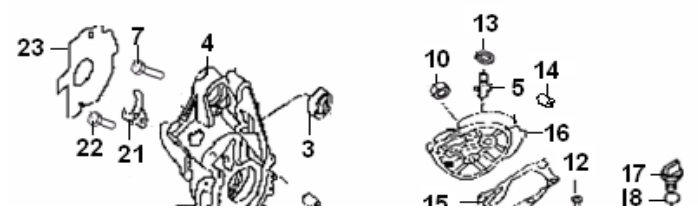
1 气缸总成 (40-1) CYLINDER HEAD ASSY状态：仿欧II气缸盖，火花塞型号：BR8HSA，缸盖螺母：正常型,非石棉垫片

NO	PARTS NO.	QJ CODE	DESCRIPTION	QTY
1	1E40-1-1A	30701B01F00A	HEAD , CYLINDER	1
2	40-1-2	30507B01F000	GASKET , CYLINDER HEAC	1
3	52-1.2	201204.013000	SPARK PLUG	1
4	1E40-1-3A	27101B01F00A	CYLINDER	1
5	40-1-4	204204.001000	GASKET , CYLINDER	1
6	40-2-10	26107B01F910	STUD BOLT	4
7	50-2-9	304290700062	NUT	4

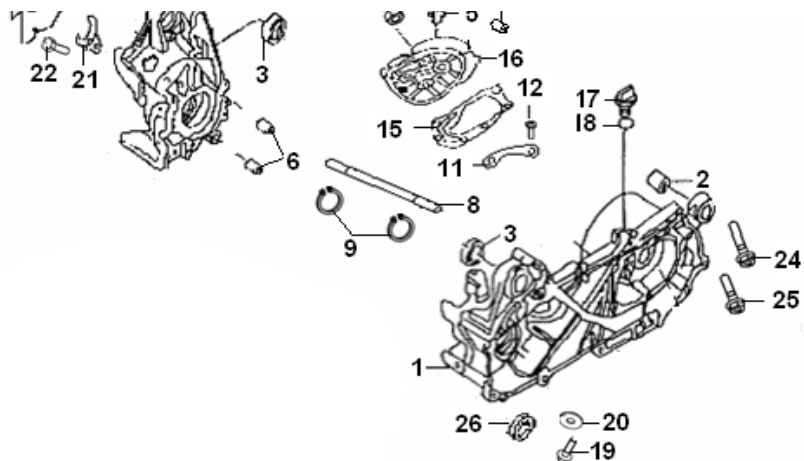


2 曲轴箱分总成 (QJ1E40QMB-4.1C £ QJ1E40QMB-4.3C £ QJ1E40QMB-4.9C) CRANKCASE ASSY左曲轴箱搭子不铣掉，外露件镀铬

NO	PARTS NO.	QJ CODE	DESCRIPTION	QTY
1	QJ1E40QMB-4	206200.045000	CRANKCASE,LH	1
2	50-2.1	26108G02F000	BUSH,ENGINE MOUNTING	1

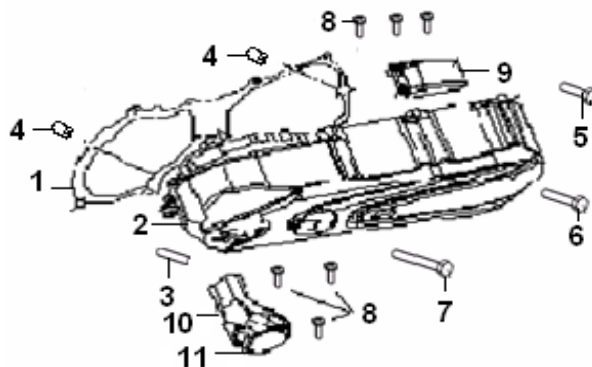


3	GB/T276-1994 B12016600300	BEARING 6003-2RS	2
4	QJ1E40QMB-426211B09F001	CRANKCASE,RH	1
5	50-16-2 26142G02F000	BRAKE SHOE	1
6	50-2-15 26123G02F000	DOWEL PIN 12X16	2
7	GB/T16674-19 301310603565	PAN HEAD SCREW M6X35	6
8	QJ1E40QMB-426109B09F000	AXLE,engine mount	1
9	GB/T894.1-198 B08010001700	CIRCLIP 17	2
10	GB/T6177-200 B04070812553	NUT M8	1
11	QJ1E40QMB-426214B09F000	BEARING HOLDER	1
12	GB/T818-2000 B02000601262	PAN HEAD SCREW M6X12	2
13	157.3-11 14222J01F000	O-RING	1
14	50-2-15 26123G02F000	DOWEL PIN 12X16	2
15	QJ1E40QMB-4214201.004000	GASKET , GEAR BOX	1
16	QJ1E40QMB-418101B09F000	COVER, GEAR BOX	1
17	50-2-3 206407.004081	OIL PLUG	1
18	50-2-4 26102G02F000	O RING	1
19	50-2-2 301310801605	FLANGE BOLT M8X16	1
20	153FM-09000(18105H03F000	PLATE WASHER 8	1
21	50-7-4 26214G02F910	OIL SEAL HOLDER	1
22	GB/T16674-19 301310601263	PAN HEAD SCREW M6X12	1
23	50-7-3 206321.001000	GASKET	1
24	GB/T16674-19 301310805565	SCREW M8X55	2
25	GB/T16674-19 301310805065	SCREW M8X50	5
26	50-2-13 207234.001000	bush	1



3 侧盖分总成 (QJ1E40QMB-4.6J) SIDECOVER ASSY 状态：欧II款， 字样：光板，侧盖固定螺钉：欧II镀铬

序号	图号	代码	数量
NO	PARTS NO.	QJ CODE	QTY
1	QJ1E40QMB-4207208.017000	GASKET,L CRANKCASE	1
2	QJ1E40QMB-4207200.117082	L CRANKCASE COVER	1
3	50-2-8 26128G02F000	IDLE GEAR	1
4	157.4-6 26208J01F000	DOWEL PIN	2
5	GB/T16674-19 301310602565	PAN HEAD SCREW M6X25	8

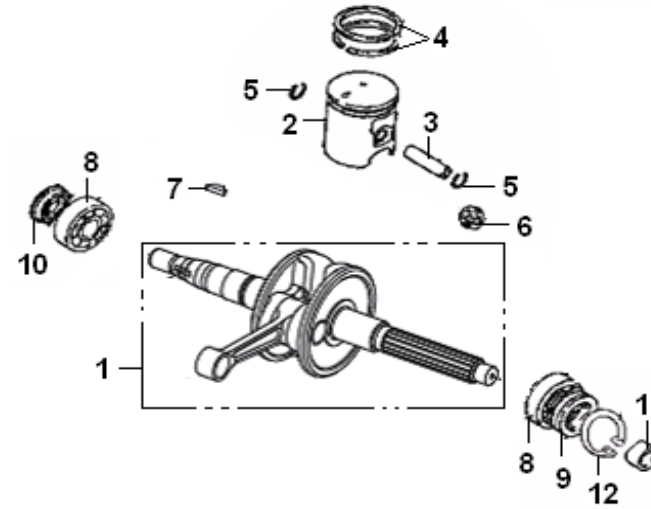


6	GB/T16674-19 301310603565	PAN HEAD SCREW M6X35	1
7	GB/T16674-19 301310606565	PAN HEAD SCREW M6X65	1
8	GB845-85 3052035014F5	SCREW ST3.5X14	6
9	QJ1E40QMB-4 14149B09F000	AIR DUCT-OUTLET	1
10	QJ1E40QMB-4 14148B09F000	AIR DUCT-INLET	1
11	QJ1E40QMB-4 14150B09F000	FILTER ASSY	1



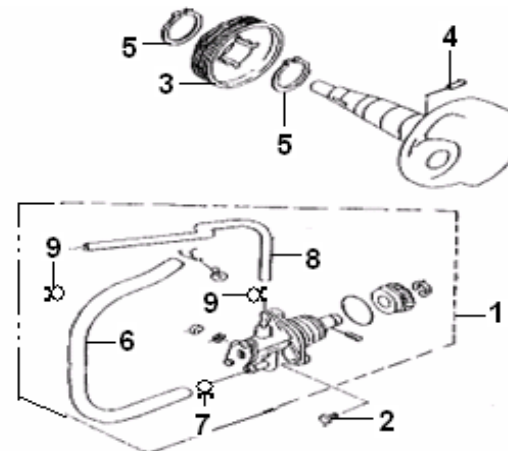
4 活塞连杆曲轴分总成 (QJ1E40MB.8B) PISTON CRANKSHAFT CONNECTING ROD ASSY 欧I销孔加大(轴承TPI)

序号	图号	代码	数量
NO	PARTS NO.	QJ CODE	QTY
1	QJ1E40MB.8.1208100.022000	CRANKSHAFT , ASSY	1
2	40-4.2B 15100B01F00B	PISTON ASSY	1
3	QJ1E40MB.8.2 15105B16F000	PISTON PIN	1
4	40-4-5 15103B01F000	PISTON RING ASSY	2
5	50-4-4 15111G02F000	CIRCLIP	2
6	QJ1E40MB.8.2 15110B16F000	NEEDLE BEARING	1
7	GB/T1099-197 15101B01F000	WOODRUFF KEY	1
8	GB/T276-1994 B12016620453	BALL BEARING	2
9	50-2-14 15213G02F000	OIL SEAL	1
10	50-7-2 26215G02F000	OIL SEAL ASSY	1
11	50-4-2 15214G02F000	COLLAR	1
12	50-2-16 17308G02F000	CIRCLIP	1



5 机油泵分总成 (QJ1E40QMB-4.10A) OIL PUMP ASSY 状态：带拉线50CC (打502标记) 进油管长度：360±5，出油管长度：280±5

序号	图号	代码	数量
NO	PARTS NO.	QJ CODE	QTY
1	QJ1E40QMB-4 219101.008000	OIL PUMP ASSY	1
2	GB/T823-2000 B02000501463	SCREW	2
3	50-4-6 15211G02F000	PUMP DRIVE GEAR	1
4	GB/T119-2000 B090103014C0	PIN	1
5	50-4-7 15106G02F910	CIRCLIP	2
6	QJ1E40QMB-4 221405.100000	HOSE,OIL INLET	1
7	50-0.0.2-2A 19213G02F00A	HOSE CLIP	2

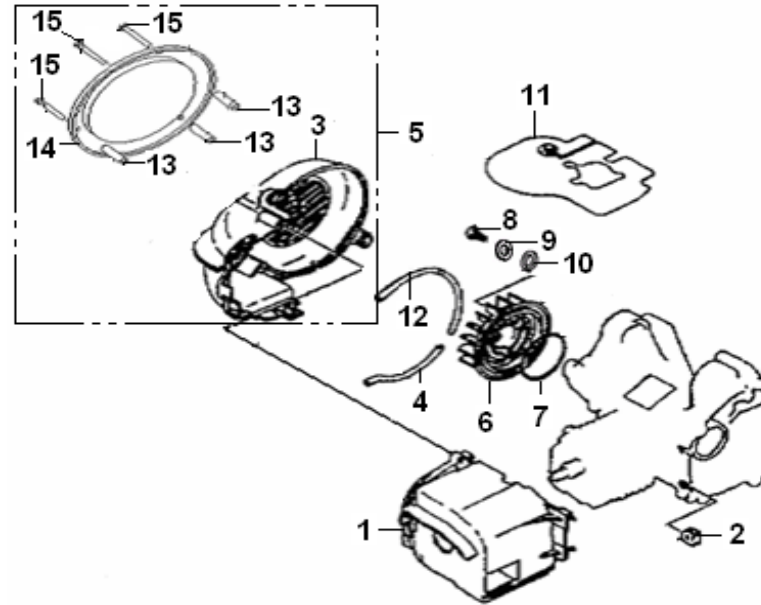


8	QJ1E40QMB-4221405.101000	HOSE,OIL OUTLET	1
9	50-0.0.3-2A 19217G02F00A	HOSE CLIP	2



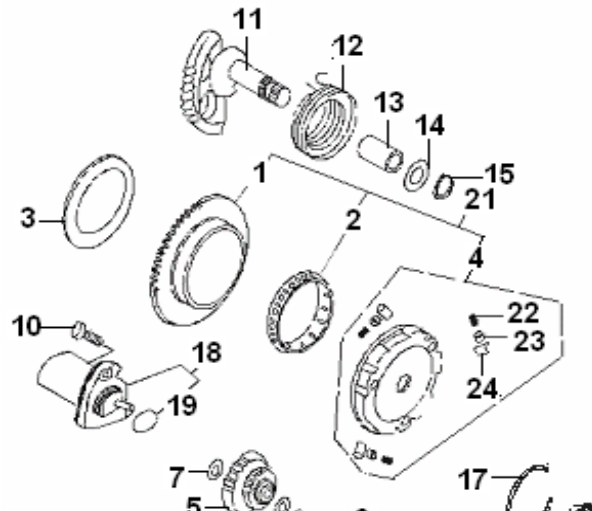
6 导风罩分总成 (QJ1E40QMB-4.8C) AIR COOLING SYSTEM 含防尘盖,光板, 外露件镀铬

序号	图号	代码	DESCRIPTION	数量
NO	PARTS NO.	QJ CODE	DESCRIPTION	QTY
1	40-8-1	20301B01F000	COWLING,cylinder	1
2	50-2-11	20303G02F000	GROMMET	2
3	QJ1E40QMB-420201B09F000	COELING,fan	1	
4	50-8-5 (短)	20208G02F000	BEADING (RUBBER)	1
5	QJ1E40QMB-4222103.009000	COVER ASSY (FAN)	1	
6	40-0.0.1-1	20401B01F000	FAN ASSY	1
7	50-0.0.1-2	20402G02F000	RUBBER RING 70X3.1	1
8	GB/T5787	B01070601663	BOLT M6X16	3
9	GB/T93-1987	B07000000600	SPRING WASHER φ6	3
10	GB/T97.1-2002	B07030000600	WASHER φ6	3
11	50-0-4	20102G02F000	DUST COVER (RUBBER)	1
12	50-8-5 (长)	20206G02F000	BEADING (RUBBER)	1
13	QJ1E40QMB-420208B09F000	COLLOR	3	
14	QJ1E40QMB-4222304.102000	COVER	1	
15	GB/T818-2000	B02000403524	SCREW M4X35	3

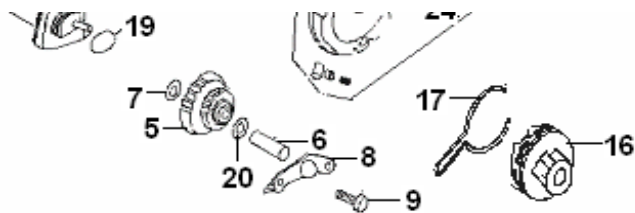


7 起动机分总成 (50-11C £ 50-15C £ 50-3-2C) KICK STARTER ASSY马达线长度：460-470，起动机轴加长

序号	图号	代码	DESCRIPTION	数量
NO	PARTS NO.	QJ CODE	DESCRIPTION	QTY
1	50-15.0.2	34120G02F000	START GEAR ASSY	1
2	50-15.0.1	34121G02F000	NEEDLE BEARING	1
3	50-15-4	34123G02F000	THRUST WASHER	1
4	50-15.1.1A	34110G02F00A	START HOLDER ASSY	1
5	50-15-1/50-15.	34126G02F000	DRIVEN GEAR,STARTER	1
6	50-2-8	26128G02F000	IDLE GEAR SHAFT	1
7	50-15-3	34122G02F000	PLATE WASHER	1
8	50-15-2	34125G02F000	IDLE GEAR HOLDER	1

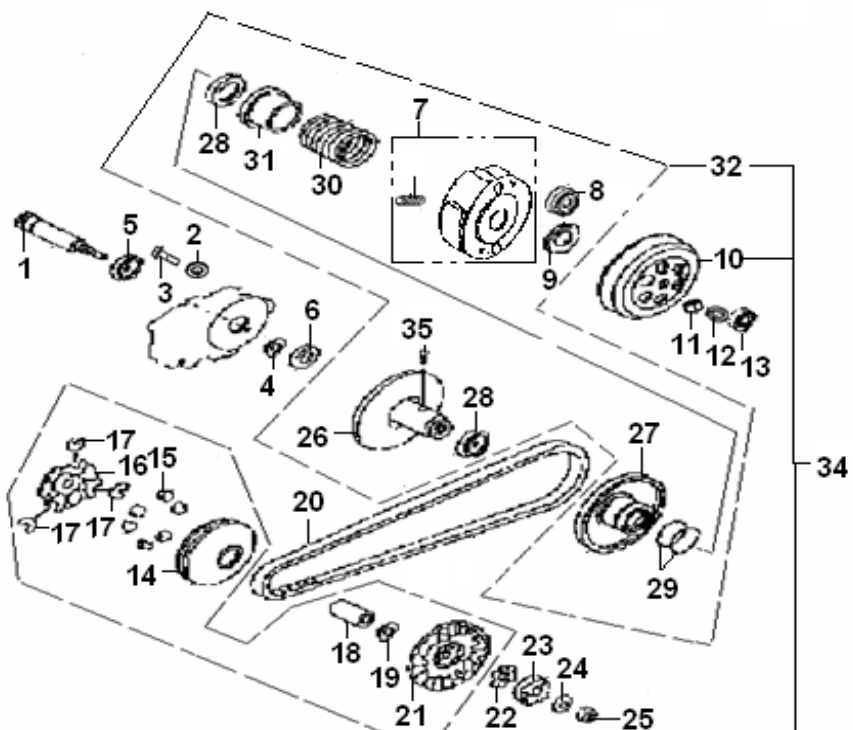


9	GB/T818-2000 B02000601063	SCREW	2
10	GB/T70-2000 302040602065	SCREW	2
11	50-3.0.3B 216100.003000	SHAFT, kick starter	1
12	50-3-3 17407G02F000	SPRING	1
13	1E50FM-3-10E216217.004000	BUSH	1
14	50-3-11 307991005552	WASHER ,kick starter	1
15	GB/T894.1-198308090150003	CIRCLIP	1
16	50-3.0.1 17415G02F000	KICK PINION ASSY	1
17	50-3-2 17418G02F930	CLIP	1
18	50-11 218100.017472	STARTING MOTOR ASSY	1
19	GB/T3452.2-1998B190102120B0	O-RING	1
20	50-15-5 34130G02F000	PLATE WASHER	1
21	50-15.1A 217100.100000	START CLUTCH ASSY	1
22	50-15.1-4(A) 34404G02F00A	SPRING	3
23	50-15.1-3(A) 34405G02F00A	CAP	3
24	50-15.1-2(A) 34402G02F00A	ROLLER	3

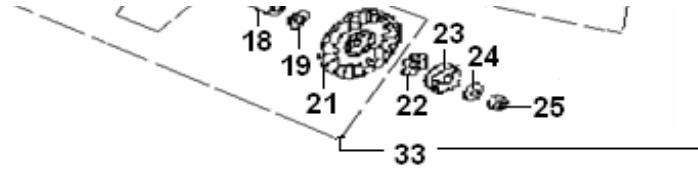


8 传动机构总成 (QJ1E40QMB-4.2-1B) CLUTCH ASSY状态 : 离合器滚珠重量5克, 结构为左半 (正常型 50-5-8) +右半 (正常型 50-5.0.1)

序号	图号	代码	数量
NO	PARTS NO.	QJ CODE	QTY
1	QJ1E40QMB-4.2.3-1	24201B09F000	PRIMARY DRIVE SHAFT old 1
1		229041070000	PRIMARY DRIVE SHAFT ne 1
1	QJ1E40QMB-4	24201B09F000	PRIMARY DRIVE SHAFT 1
2	50-5.1.1-4	18114G02F000	PLATE WASHER 1
3	GB/T16674-1986	B01090801263	PAN HEAD SCREW 1
4	GB/T894.1-1983	B08010001700	CIRCLIP 1
5	GB/T276-1994	B12016620300	BEARING 6203 1
6	QJ1E40QMB-4	24203B09F000	OIL SEAL 1
7	40-5.1.2	24301B01F000	CLUTCH ASSY,shoe 3
8	50-5.1.2-5	24245G02F000	ROLLER BEARING 1
9	50-5.1-2	24303G02F000	NUT 1
10	50-5.1.4	24700G02F000	CLUTCH DRUM 1
11	50-5.1-3	24305G02F940	NUT 1

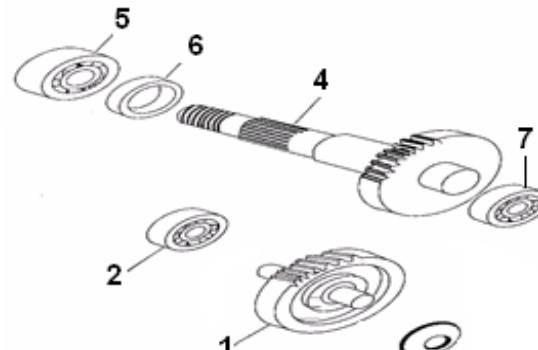


12	50-5.1-4	24243G02F000	RING $\phi 6.7 \times 3$	1
12		200492080000	RING $\phi 5.5 \times 1.5$	2
13	50-3-6	24209G02F000	BEARING 638Z	1
14	50-5.0.1	24101G02F000	FACE, movable drive	1
15	QJ1E40QMB-4213119.003000		ROLLER	6
16	50-5-6	24103G02F000	PLATE, movable drive	1
17	50-5-5	24104G02F000	DAMPER	3
18	50-5-7	24105G02F000	COLLER	1
19	40-5-12	24106B01F000	WASHER	1
20	40-5-11	24107B01F000	V BELT , DRIVE	1
21	50-5-8	24108G02F000	FACE , FIXED DRIVE	1
22	50-5-9	24109G02F000	PLATE , WOODRUFF KEY	1
23	50-5-10	213203.001161	STARTING DISC	1
24	50-4-1	15112G02F010	WASHER , SPRING	1
25	GB/T6173-200 B04031212553		NUT	1
26	50-5.1.2.1	24204G02F000	FACE , FIXED DRIVEN	1
27	50-5.1.2.2	24205G02F000	FACE , MOVABLE DRIVEN	1
28	50-5.1.2-4	24206G02F000	OIL SEAL	1
29	50-5.1.2-3	24207G02F000	O-RING	2
30	40-5.1-1	24308B01F000	SPRING	1
31	50-5.1.2-1	24309G02F930	SEAT , SPRING	1
32	40-5	24200B01F000	DRIVEN PULLEY and CLUTCH ASSY	1
33	QJ1E40QMB-424100B09F000		DRIVE ASSY	1
34	QJ1E40QMB-4213100.010000		SHIFT ASSY	1
35	50-5.1.2-2	24208G02F000	PIN , GUIDE	2

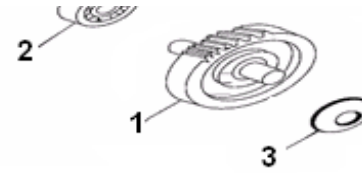


9 变速系统分总成 (QJ1E40QMB-4.2-2A) TRANSMISSION SYSTEM ASSY状态 : 40-4齿轮箱齿轮

序号	图号	代码	数量
NO	PARTS NO.	QJ CODE	QTY
1	QJ1E40QMB-417800B09F000		1
2	GB/T276-1994 B12016620000		1
3	157.8.4-4 17732J01F000		1
4	QJ1E40QMB-417300B09F000		1

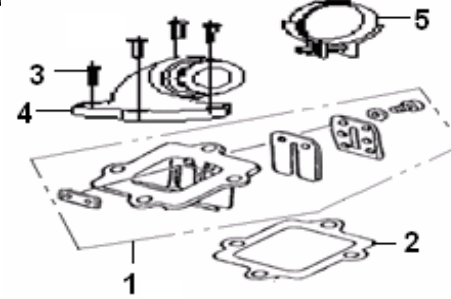


5	GB/T276-1994 B12016600400	NEEDLE BEARING	1
6	QJ1E40QMB-4 17317B09F000	OIL SEAL	1
7	GB/T276-1994 B12016620200	NEEDLE BEARING	1



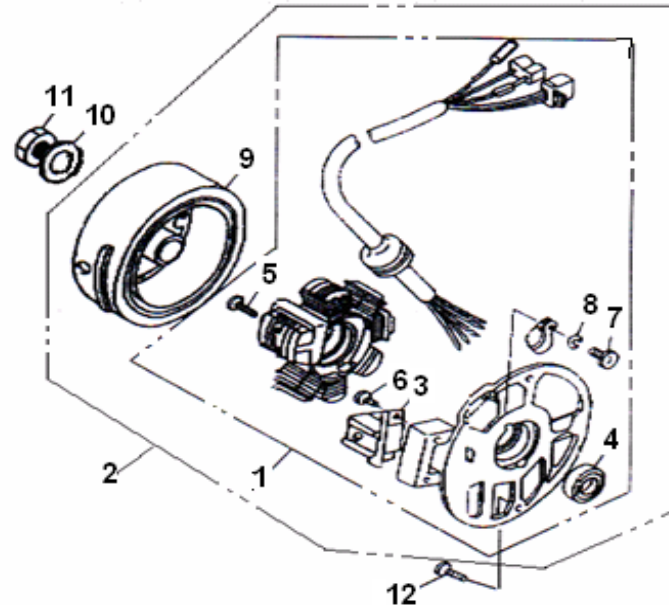
10 进气阀分总成 (50-13A) REED VALVE ASSY正常型，双开、正常，进气阀分总成 (50-13A)

序号	图号	代码	数量	
NO	PARTS NO.	QJ CODE	DESCRIPTION	QTY
1	50-13	32300G02F000	REED VALVE ASSY	1
2	50-13-3	202306.002000	VALVE SEAT GASKET	1
3	GB/T70-2000	302040602065	SCREW	3
4	50-13.1	32200G02F000	PIPE, intake	1
5	50-13.2	202104.006472	CLIP	1
6	'40-2-20	206412.001472	SCREW	1



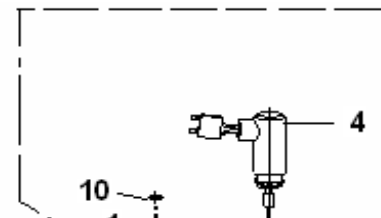
11 磁电机总成 (50-9A) MAGNETO ASSY飞轮提前角：15°

序号	图号	代码	数量	
NO	PARTS NO.	QJ CODE	DESCRIPTION	QTY
1	50-9.2	34310G02F000	COIL ASSY	1
2	50-9	223100.100000	MAGNETO ASSY	1
3	50-9.2.3	34330G02F000	PULSE TRIGGER	1
4	JB2600-80	34350G02F000	OIL SEAT	1
5	GB/T818-2000	B02000502522	SCREW	2
6	GB/T818-2000	B02000501262	SCREW	2
7	GB/T818-2000	B02000400622	SCREW	1
8	GB/T93-1987	B07000000400	SPRING WASHER	1
9	50-9.1	223101.019000	FLY WHEEL ASSY	1
10	GB/T97.1-2002	B07030001200	WASHER	1
11	153FM-000004	15228H03F000	NUT	1
12	GB/T5787	B01070601664	NUT	2



12 化油器分总成 (PZ19JB-2N) CARBURETORASSY化油器分总成 (PZ19JB-2N)

序号	图号	代码	数量
NO	PARTS NO	CODE	QTY



1	(PZ19JB-2) · 32510B01F000	NEEDLE, jet	1
2	PZ19JB-04-02 32511B01F000	VALVE,PISTON	1
3	PZ19JB-01-01 224202.100000	JET, main	1
4	PZ19JB-05-13 32612B01F000	ENRICH VALVE	1
5	PZ19JB-05-02 32619B01F000	PIN, float	1
6	PZ19JB-07-02 32620B01F000	FLOAT	1
7	PZ19JB-03-01 32701B01F000	GASKET	1
8	PZ19JB-01-06 32609B01F000	JET, idle	1
9	(PZ19JB-2) · 224100.103000	CARBURETOR ASSY	1
9	(PZ19JB-2) · 339001070010	CARBURETOR ASSY	1
10	(PZ19JB-2) · 32508B01F000	CLIPMM,V shape	1
11	PZ19JB-05-08 32617B01F000	VALVE, needle	1
12	PZ19JB-05-09 32618B01F000	HOOK,NEEDLE VALVE	1
	3342105E0000		1

