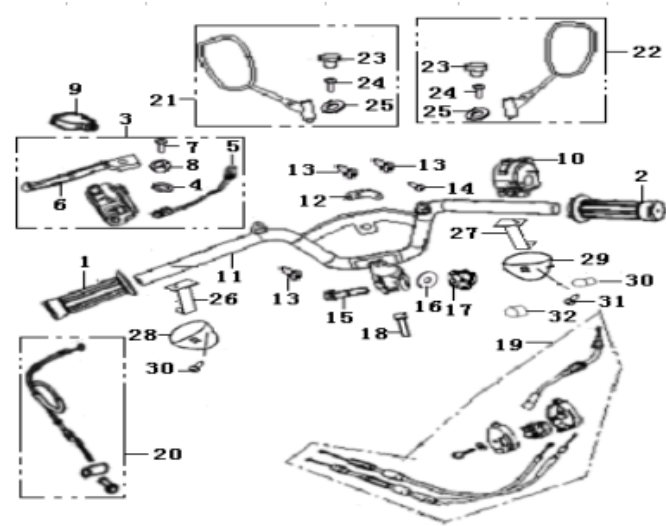


JCK ( Q07-01 ) -QJ50QT-2-1E

操纵系总成I

CONTROL ASSY.

序号	代码	物料编码		数量	备注
NO.	CODE	materiel coding		QTY.	
1	40001B20T000	40001B030000	GRIP, LH.	1	
2	40200B20T000	40200B030000	GRIP ASSY., THROTTLE	1	
3	40500B20T000	40500B030010	SWITCH COMP., LH.	1	
4	B07000000505	B07000000505	WASHER SPRING 5MM	1	
5	91700B20T000	91700B030000	REAR BREAK SWITCH	1	
6	40080B20T000	40080B030000	REAR BREAK ARM	1	
7	40004B20T000	40004B030000	SCREW	1	
8	B04000500063	B04000500063	NUT 5mm	1	
9	40008B20T000	40008B030000	PROTECTOR,, REAR. BRAKE CABL	1	
10	40600B20T000	40600B030010	SWITCH ASSY., RH.	1	
11	40100B20TG80	40100B030000	JOINTING ASSY., HANDLE BAR	1	
12	40108B20TG80	40108B03G800	BRACKET, HANDLE COVER	1	
13	B05004801305	B05004801305	SCREW 4.8X13MM	3	
14	B05004201305	B05004201305	SCREW 4.2X13mm	1	
15	B01091004565	B01091004565	BOLT 10X1.25X45mm	1	
16	B07030001005	B07030001005	WASHER 10mm	1	
17	B04171012565	B04171012565	NUT 10X1.25mm	1	
18	B02010803525	B02010803525	SCREW 8×35mm	1	
19	40300B030001	40300B030001	CABLE ASSY., THROTTLE (NEW)	1	
20	40270B20T000	40270B030001	CABLE COMP. , REAR. BRAKE	1	

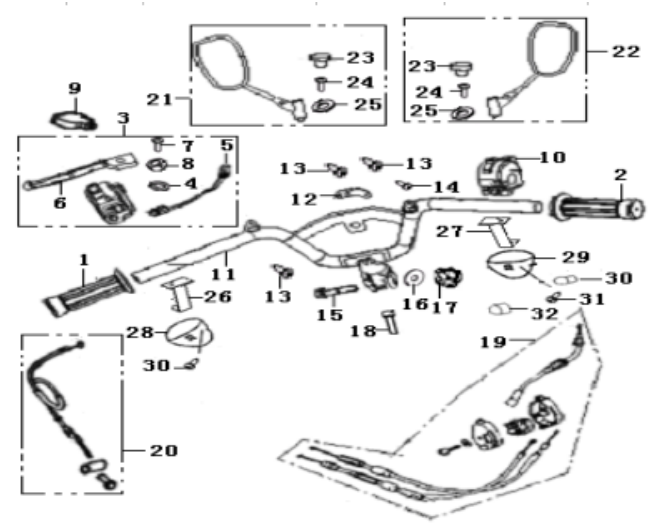


标记 处数 更改文件号 签字 日期

操纵系总成II

CONTROL ASSY.

序号	代码	物料编码		数量	备注
NO.	CODE	materiel coding		QTY.	
21	40460B20T007	40450B920002	MIRROR COMP., REAR VIEW, LH.	1	b
22	40470B20T007	40480B920002	MIRROR ASSY., REAR VIEW, RH.	1	b
23	40453B20T000	40453B030000	PLASTIC CAP	2	
24	B02050803064	B02050803064	HEXAGON SOCKET SCREW	2	
25	40455B20T000	40455B030000	RUBBER GASKET	2	
26	08526B20T000	08526B030000	BRKT,TURN SIGNAL,FR,L	1	
26	08526B20T001	08526B030001	BRKT,TURN SIGNAL,FR,L	1	
27	08527B20T000	08527B030000	BRKT,TURN SIGNAL,FR,R	1	
27	08527B20T001	08527B030001	BRKT,TURN SIGNAL,FR,R	1	
28	81100E050000	81100E050000	FLASHER LIGHT ASSY., L	1	
29	81300E050000	81300E050000	FLASHER LIGHT ASSY., R	1	
30	08005AE0D000	08005X010000	SCREW W/WASHER 5X11.5	2	

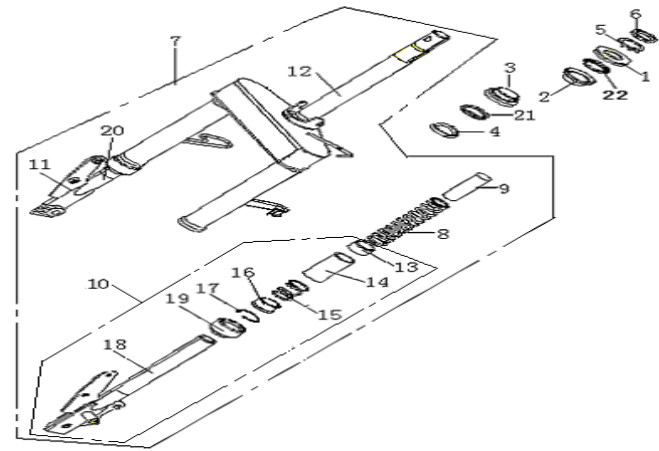


标记 处数 更改文件号 签字 日期

前叉总成

FRONT FORK ASSY.

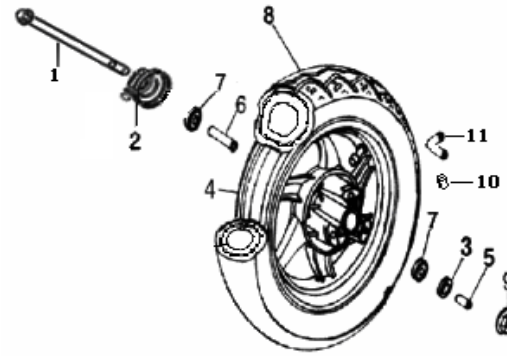
序号	代码	物料编码		数量	备注
NO.	CODE	materiel coding		QTY.	
1	43001B20T000	43001B050001	Upper steel bowl, upper bearing	1	
2	43002B20T000	43002B050000	Lower steel bowl, upper bearing	1	
3	43003B20T000	43003B050000	Upper steel bowl, lower bearing	1	
4	43004B20T000	43004B050000	Lower steel bowl, lower bearing	1	
5	43007B20T000	43007B030000	WASHER	1	
6	43008J0ET000	43008T020000	PRESS NUT	1	
7	43100B20T000	43100B030001	FRONT FORK COMP.	1	
8	43202B20T000	43202B030000	SPRING, ABSORB SHOCK	2	
9	43211B20T000	43211B030000	CUSHION BLOCK	2	
10	43230B20T000	43230B030000	INNER PIPE ASSY, LEFT	1	
11	43350B20T000	43350B030000	JOINTING ASSY, RIGHT INNER PIP	1	
12	43120B20T000	43120B030000	JOINTING BOARD ,LOWER BOARD	1	
13	43234B20T000	43234B030000	SHIELD RING	2	
14	43213B20T000	43213B030000	ROD GLAND SLEEVE II	2	
15	43203B20T000	43203B030000	SPRING	2	
16	43212B20T000	43212B030000	ROD GLAND SLEEVE I	2	
17	43207B20T000	43207B030000	SPRING SHIELD RING	2	
18	43250B20T000	43250B030000	JOINTING ASSY, LEFT INNER PIPE	1	
19	43206B20T000	43206B030000	DUST COVER	2	
20	43330B20T000	43330B030000	INNER PIPE ASSY, RIGHT	1	
21	B06010140000	B06010140000	STEEL BALL 4.763	21	
22	B06010110000	B06010110000	STEEL BALL 3.969	25	



前轮总成

FRONT WHEEL ASSY.

序号	代码	物料编码		数量	备注
NO.	CODE	materiel coding		QTY.	
1	44005B20T001	44004B020000	AXLE, FRONT WHEEL	1	
2	44200B20TB41	44200B14B400	SEAT ASSY., GEAR WHEEL, BLACK	1	
3	44300B20T000	44300B030000	OIL SEAL	1	
4	44102B03B400	44101B03B400	WHEEL HUB, FRONT, BLACK	1	
5	44004B20T000	44004B030000	BUSHING RING	1	
6	44006B20TT10	44006B03T100	SPACER, BEARING	1	
7	B12040100900	B12040100900	BEARING	2	
8	B14073501021	B14013501011	TIRE	1	
9	B04171012564	B04171012554	NUT 10X1.25MM	1	
10	B1404Z2011C0	B1404Z2011C0	CAP , VALVE	1	
11	B1403Z201110	B1403Z201120	RIM , VALVE	1	

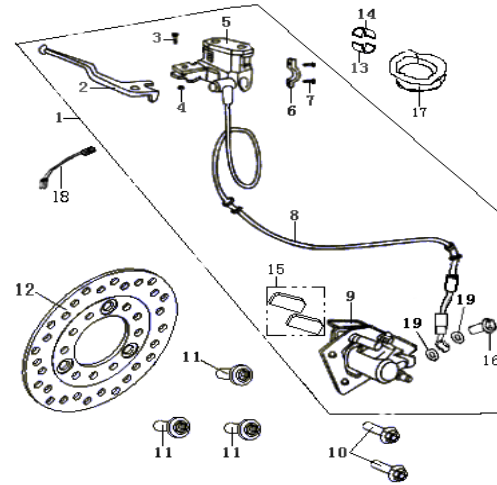


标记 处数 更改文件号 签字 日期

液刹总成

DISC BRAKE ASSY. I

序号	代码	物料编码		数量	备注
NO.	CODE	materiel coding		QTY.	
1	45000B20T000	45000B030000	DISK BRAKE ASSY.	1	
2	45023B20T000	45023B030000	LEVER, DISC BRAKE	1	
3	45024B20T000	45024B030000	BOLT	1	
4	B04000600065	B04000600065	STOPPING NUT 6mm	1	
5	45400B20T000	45400B030000	OIL PUMP BODY	1	
6	45022B20T000	45022B030000	MOUNTING SEAT, LEVER	1	
7	B01070602065	B01070602065	BOLT 6X20mm	2	
8	45200B20T000	45200B030000	BRAKE HOSE ASSY.	1	
9	45001B20T000	45001B030000	BRAKE CYLINDER ASSY.	1	
10	45026B20T000	45026B030000	BOLT	2	
11	45036B20T000	45036B030000	BOLT	3	
12	45033B20T000	45033B030000	BRAKE DISC	1	
13	45451B20T000	45451B030000	WASHER , FRONT	1	
14	45452B20T000	45452B030000	WASHER , REAR	1	
15	45110B20T000	45110B030000	BRAKE PAD KIT	1付	
16	45037B20T000	45037B030000	BOLT	1	
17	15010B20T000	15010B030000	COVER, OIL PUMP BODY	1	
18	91600B20T000	91600B030000	FRONT BRAKE SWITCH	1	
19	45029B20T000	45029B030000	WASHER	2	

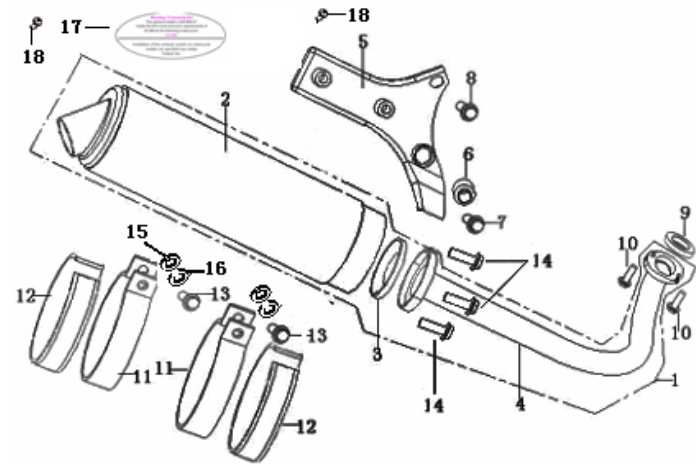


标记 处数 更改文件号 签字 日期

消音器总成

MUFFLER ASSY.

序号	代码	物料编码		数量	备注
NO.	CODE	materiel coding		QTY.	
1	47100B20T006	47100B030006	MUFFLER ASSY.	1	
2	47200B20T006	47200B030006	MUFFLER CANISTER ASSY.	1	
3	47121B20T000	47121B030000	SEAL WASHER	1	
4	47105B20T006	47105B030006	EXHAUST PIPE ASSY.	1	
5	47123B20T000	47123B030000	MUFFLER FIXING PLATE	1	
6	47039B20T000	47039B030000	MUFFLER BUSH	1	
7	B01070803065	B01070803065	BOLT 8×30mm	1	
8	B01070802065	B01070802065	BOLT 8×20mm	1	
9	47800B20T000	47800B030000	GASKET, EXHAUST PIPE	1	
10	B01070601665	B01070601665	BOLT 6×16mm	2	
11	47041B20T000	47041B030000	MUFFLER HOOP	2	
12	47042B20T000	47042B030000	ADIABATIC RUBBER	2	
13	B01090804564	B01090804564	BOLT 8×40mm	2	
14	B01070802065	B01070802065	BOLT 8×20mm	3	
15	B07030000804	B07030000804	WASHER 8MM	2	
16	B07000000804	B07000000804	WASHER 8MM	2	
17	05551B030002	05551B030002	STIKER .MUFFLER	1	
18	B100432007P0	B100432007P0	RIVET3.2X7	2	

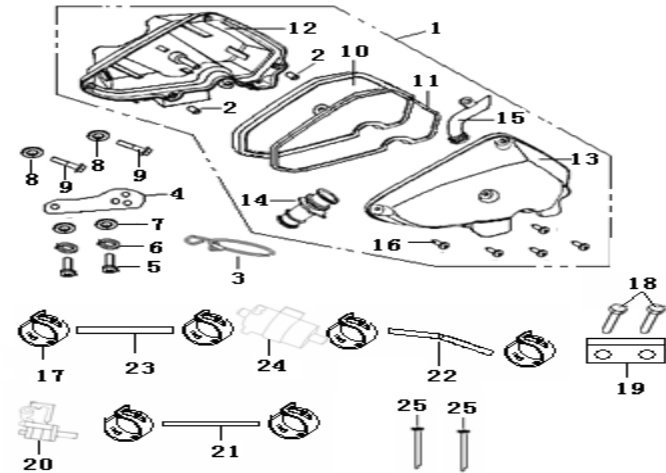


标记 处数 更改文件号 签字 日期

空滤器总成

AIR CLEANER ASSY.

序号	代码	物料编码		数量	备注
NO.	CODE	materiel coding		QTY.	
1	49500B20T000	49500B030000	AIR CLEANER	1	
2	49004B20T000	49004B030000	BUSH	2	
3	49350B20T000	49350B030000	CLIP	1	
4	49361B20T000	49361B030000	PLATE	1	
5	B02000501665	B02000501665	SCREW 5X16mm	2	
6	B07000000505	B07000000505	WASHER SPRING 5mm	2	
7	B07030000505	B07030000505	WASHER 5mm	2	
8	B07020000605	B07020000605	WASHER 6mm	2	
9	B01190603065	B01190603065	BOLT 6X30mm	2	
10	49202B20T000	49202B030000	FILTER	1	
11	49103B20T000	49103B030000	SEAL LOOP	1	
12	49101B20T000	49101B030000	CASE, AIR CLEANER	1	
13	49401B20T000	49401B030000	CAP, AIR CLEANER	1	
14	49005B20T000	49005B030000	PIPE,AIR OUT	1	
15	49002B20T000	49002B030000	PIPE,AIR IN	1	
16	B05004201905	B05004201905	SCREW 4.2X19mm	5	
17	49805BMBT000	49805B920000	SPRING II,LOCK φ17.5	6	
18	B0109061265	B0109061265	SCREW 6X12MM	2	
19	57051B2GT000	57051B140000	PLATE ,ONE WAY VALVE	1	
20	49840B0ES000	49840W110000	ONE WAY VALVE II	1	
21	49851B20T000	49851B030000	HOSE 570MM	1	
22	49852B2GT000	49852B140000	HOSE I 240MM	1	
23	49853B2GT000	49853B140000	HOSE II MM	1	
24	49870B2GT000	49870B140000	AIR CLEANER,SMALL	1	
25	96001B20T000	96001B030000	BAND	2	



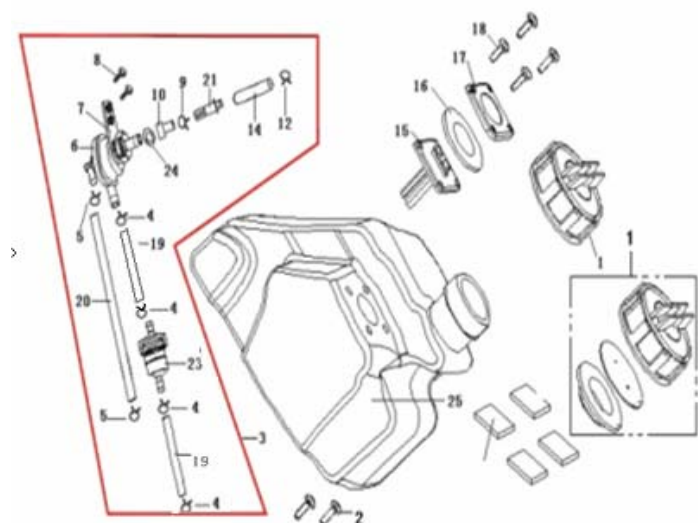
标记 处数 更改文件号 签字 日期



油箱总成I

FUEL TANK ASSY.

序号	代码	物料编码		数量	备注
NO.	CODE	materiel coding		QTY.	
1	50200B2AT000	50200B050000	CAN FUEL TANK	1	
2	B01010601665	B01010601665	BOLT 6X16mm	2	
3	50400B20T000	50400B030000	SWITCH ANDHOSE ASSY	1	
4	B17010090003	B17010090003	CLIP	4	
5	50307B20T000	50307B030000	CLIP	2	
6	50300B0ET000	50300T030001	SWITCH ASSY	1	
7	50313B20T000	47031B030000	PLATE.FUEL COCK	1	
8	B02000501064	B02000501064	SCREW 5×10mm	2	
9	50308B20T000	50308B030000	CLIP φ16	1	
10	50311B20T000	50311B020000	COUPLER.FUEL COCK	1	
12	50309B20T000	50309B030000	CLIP φ11	1	
14	50351B030001	50351B030001	FILTER CASE	1	
15	50800B20T000	50800B020010	SENSOR ASSY.	1	
16	50004B20T000	50004B140000	GLUE MAT	1	
17	50920B0ET000	50920B020000	CUSHION	4	
18	B13140601405	B13140601405	BOLT ASSY. 6X14mm	4	
19	50303B470001	50303B470001	HOSEIIIφ5×10×140	2	
20	50303B20T000	50303B030000	HOSE III φ4Xφ8X175	1	
21	50352B20T000	50352B030000	FILTER	1	
23	50340B0ETT10	50340G120000	FILTER, FUEL	1	
24	50312B0ET000	50312B140000	RUBBER SEAL	1	
25	50100B20T001	50100B030001	FUEL TANK ASSY	1	



标记 处数 更改文件号 签字 日期

**座垫总成**

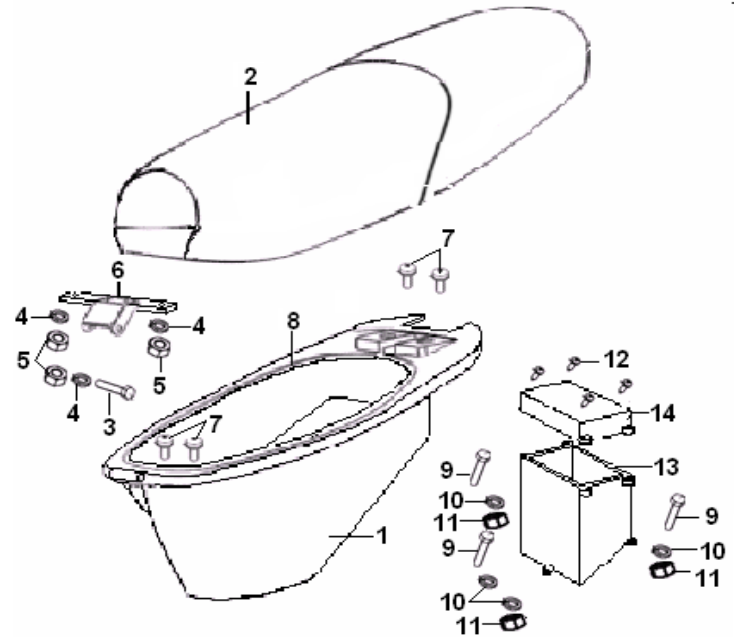
**SEAT ASSY.**

序号	代码	物料编码	
NO.	CODE	materiel coding	
1	51004B20T000	51004B030000	HELMET BOX
2	51100B20T002	51100B030002	SEAT COMP.
3	51001B20T000	51001B030000	BOLT 6X65mm
4	B07000000603	B07000000603	WASHER SPRING 6mm
5	B04000600053	B04000600053	NUT 6mm
6	51005B20T000	51005B030000	MOUNTING PANEL ,SEAT
7	B13060601604	B13060601604	SCREW ASSY. 6X16mm
8	51012B20T000	51012B030000	AIRPROOF.BAR
9	B01090501664	B01090501664	BOLT 5X16mm
10	B07020000504	B07020000504	s
11	B04000500054	B04000500054	NUT 5mm
12	B05002901605	B05002901605	SCREW 2.9X16mm
13	65816B20T000	65816B030000	CASE.BATTERY
14	65813B030002	65813B030000	CAP.BATTERY
14	65813B030003	65813B030003	CASE.BATTERY

数量 备注  
QTY.

1  
1  
1  
3  
3  
1  
4  
1  
3  
4  
3  
4  
1  
1  
1

used  
for  
Used  
for

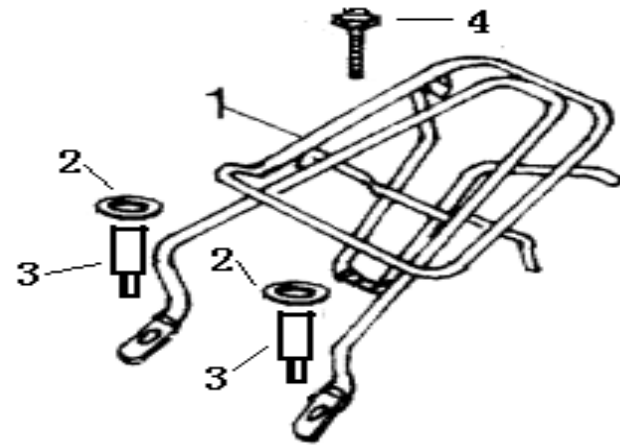


标记 处数 更改文件号 签字 日期

货架总成

CARRIER ASSY.

序号	代码	物料编码		数量	备注
NO.	CODE	materiel coding		QTY.	
1	52011B20T000	52002B030001	REAR CARRIER	1	
2	51014B20T000	65822J000000	DECORATIVE,COVER	2	
3	51016B20T000	51016B030000	SPECIAL SCREW	2	
4	B01070601665	B01070601665	BOLT M6X16	1	

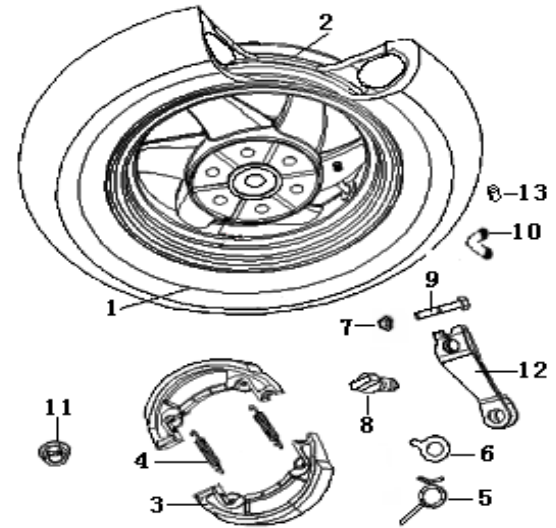


标记 处数 更改文件号 签字 日期

后轮总成

REAR WHEEL ASSY.

序号	代码	物料编码		数量	备注
NO.	CODE	materiel coding		QTY.	
1	B14073501021	B14013501011	TIRE 3.5-10	1	
2	54100B03B401	54101B03B410	RIM ASSY., REAR WHEEL (BLACK)	1	
3	54200B00T000	54200B910000	SHOE ASSY., REAR BRAKE	2	
4	54001B00T000	54001B000000	SPRING, BRAKE SHOE	2	
5	54008B0ET000	54008B030000	RETURN SPRING	1	
6	54002B00T000	54002B000000	REAR INDICATOR	1	
7	B04170600064	B04170600064	NUT 6MM	1	
8	54003B0ET000	54003B070000	CAMSHAFT, REAR BRAKE	1	
9	B01010603064	B01010603064	BOLT 6X30MM	1	
10	B1403Z201110	B1403Z201120	RIM , VALVE	1	
11	B04171415064	B04171415064	NUT 14X1.5MM	1	
12	54007B0ET000	54007B070000	ROCKER,REAR BREAK	1	
13	B1404Z2011C0	B1404Z2011C0	CAP , VALVE	1	

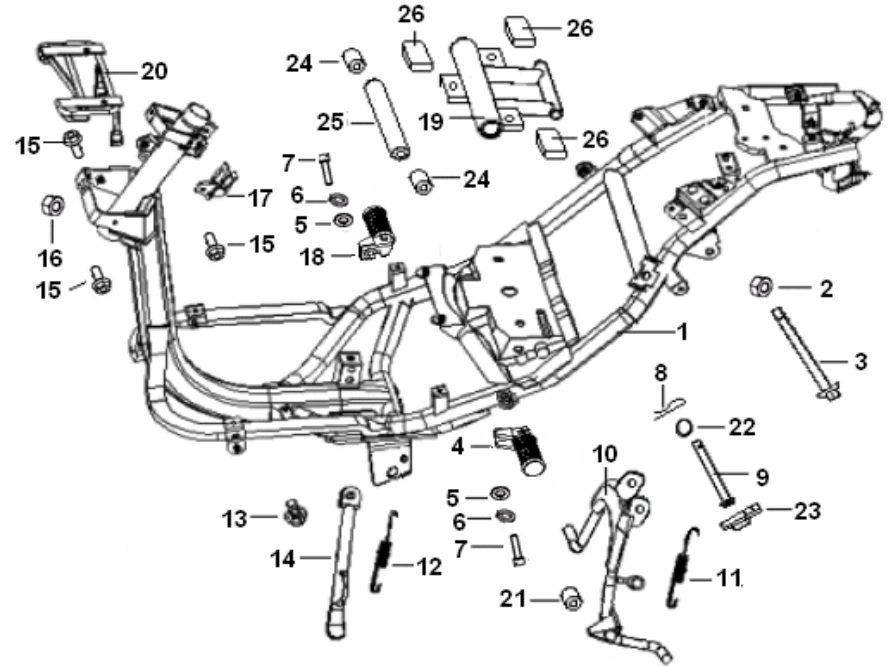


标记 处数 更改文件号 签字 日期

车架总成

FRAME ASSY.

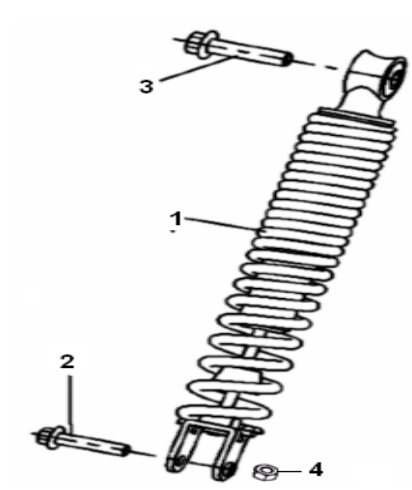
序号	代码	物料编码		数量	备注
NO.	CODE	materiel coding		QTY.	
1	57100B20TT12	57100B030008	JOINTING ASSY., FRAME	1	
2	B04171012564	B04171012564	NUT M10X1.25	1	
3	58301B20T000	58301B020050	AXLE , SUPPORT	1	
4	58280B20T000	58260J000005	FOOTCAST, BACK,LEFT	1	
5	B07030001004	B07030001004	WASHER 10mm	2	
6	B07000001004	B07000001004	WASHER SPRING 10mm	2	
7	B02051002264	B02051002264	BOLT 10X22mm	2	
8	58511B0DT000	08382B000000	PIN	1	
9	58501B20T000	58501B000000	SHAFT, MAIN STAND	1	
10	58500B20T000	58520B030001	MAIN STAND ASSY.	1	
11	58502B20T000	58502B030000	SPRING , MAIN STAND	1	
12	57003B20TT10	57003B03T100	SPRING, SIDE STAND	1	
13	57005J0ET000	57005T020000	FIXINGS BOLT , SIDE STAND	1	
14	58700B20TT10	58700B03TT22	JOINTING ASSY., SINGLE STAND	1	
15	B01090601664	B01090601664	BOLT 6X16mm	3	
16	B04070600064	B04070600054	NUT 6mm	1	
17	57007B20T000	57007B030000	POTHOOK, HELMET	1	
18	58260B20T000	58280J000005	FOOTCAST, BACK,RIGHT	1	
19	58320BSAT000	58320B410000	SUSPEND FRAME ASSY., ENGINE	1	
20	58200B20TT10	58200B03T100	BRACKET ASSY., FRAME FRONT	1	
21	58504B20T000	58508B070000	RUBBER , MAIN STAND	1	
22	58505B20T000	58505B030000	PROTECTOR , MAIN STAND	1	
23	58506B20T000	58506B020000	CLIP , BRAKE CABLE	1	
24	58340B20T000	58340B030000	BUFFER, ENGINE BRACKET	2	
25	58343B20T000	58343B030000	CENTER SPACER	1	
26	58342B20T000	58342B030000	DAMPER	3	



后减震总成

REAR SHOCK ABSORBER ASSY.

序号	代码	物料编码		数量	备注
NO.	CODE	materiel coding		QTY.	
1	63100B20T001	X63800B030001	ABSORBER ASSY.BLACK	1	
2	B01070804064	B01070804064	BOLT 8X40MM	1	
3	B01071004064	B01071004064	BOLT 10X1.25X 40MM	1	
4	B04070008064	B04070008064	NUT M8MM	1	



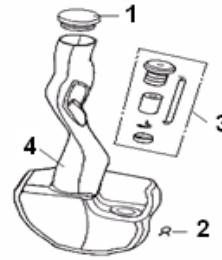
标记 处数 更改文件号 签字 日期

机油箱总成

OIL TANK ASSY.

序号	代码	物料编码	
NO.	CODE	materiel coding	
1	64091B20T000	64091B030000	CAP, OIL TANK
2	64002B20T000	64002B030000	CLIPφ8.5
3	64100B20T000	64100B030000	SENSOR, OIL POSITION
4	64001B20T000	64001B030000	OIL TANK

数量	备注
QTY.	
1	
1	
1	
1	

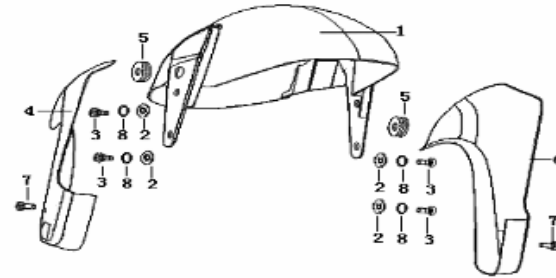


标记 处数 更改文件号 签字 日期

**前挡泥板总成**

**FRONT FENDER ASSY.**

序号	代码	物料编码		数量	备注
NO.	CODE	materiel coding		QTY.	
1	65101B20TRH0	65101B03RH00	FENDER ,FRONT , RED	1	
1	65101B20TL70	65101B03L700	FENDER ,FRONT , BLUE	1	
1	65101B20TY40	65101B03Y400	FENDER ,FRONT , YELLOW	1	
2	B07020000604	B07020000604	WASHER 6MM	4	
3	B02000601624	B02000601624	SCREW 6X16MM	4	
4	65103B201000	65103B201000	LEFT SIDE, FRONT FENDER	1	
5	65112B20T000	65112B030000	WASHER,RUBBLE	2	
6	65102B20T000	65102B030000	RIGHT SIDE, FRONT FENDER	1	
7	B02060601224	B02060601224	SCREW 6X12MM	2	
8	B07000000604	B07000000604	WASHER SPRING 6MM	4	



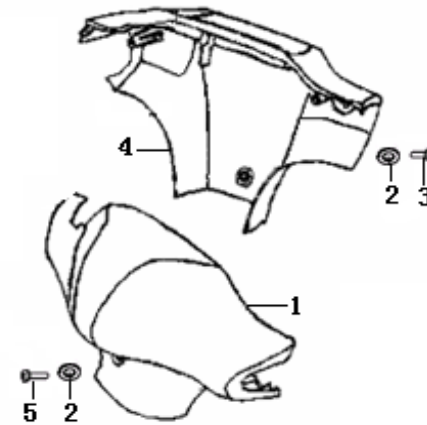
标记 处数 更改文件号 签字 日期



龙头护罩总成

HANDLE COVER ASSY.

序号	代码	物料编码		数量	备注
NO.	CODE	materiel coding		QTY.	
1	65201B20TRH0	65201B03RH00	FRAME COVER , FRONT,RED	1	
1	65201B20TL70	65201B03L700	FRAME COVER , FRONT,BLUE	1	
1	65201B20TY40	65201B03Y400	FRAME COVER , FRONT,YELLOW	1	
2	B07020000505	B07020000505	WASHER 5MM	2	
3	B02000501665	B02000501665	SCREW 5X16MM	1	
4	65202B20T000	65202B030000	FRAME COVER, BACK	1	
5	B02000502565	B02000502565	SCREW 5X25MM	1	

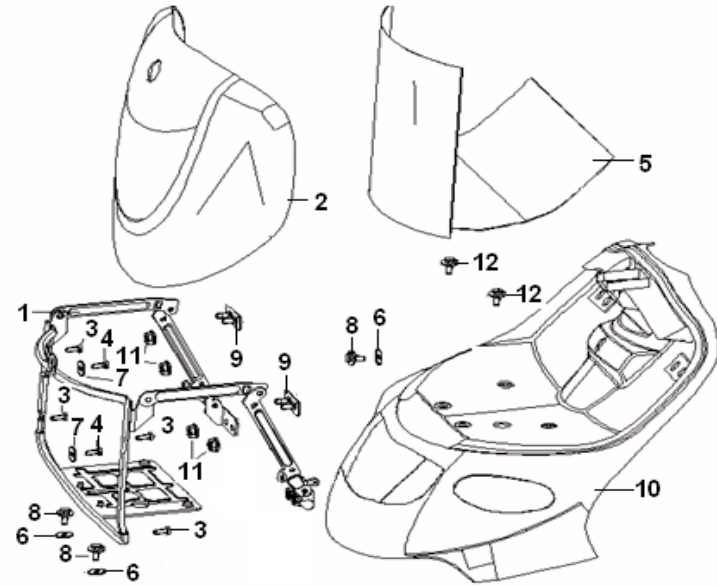


标记 处数 更改文件号 签字 日期

前大罩总成

FRONT COVER ASSY.

序号	代码	物料编码		数量	备注
NO.	CODE	materiel coding		QTY.	
1	65340B20T000	65340B140000	FRAME, FRONT	1	
2	65301B20TRH0	65301B03RH00	FACEPLATE , RED	1	
2	65301B20TL70	65301B03L700	FACEPLATE , BLUE	1	
2	65301B20TY40	65301B03Y400	FACEPLATE , YELLOW	1	
3	B05004201304	B05004201304	TAPPING SCREW 4.2X13 MM	4	
4	B05074201604	B05074201604	TAPPING SCREW 4.2X16 MM	2	
5	65390B20T000	65390B030000	FRONT RACK	1	
6	B07020000605	B07020000605	WASHER 6MM	3	
7	B07020000504	B07020000504	WASHER 5MM	2	
8	B01010601665	B01010601665	BOLT 6X16MM	3	
9	65330B20T000	65330B030000	FIXING SEAT	2	
10	65302B20T000	65302B030000	MOTHERBOARD,FRONTCOVER	1	
11	B04070600064	B04070600064	NUT 6MM	4	
12	B01070602065	B01070602065	BOLT 6X20MM	2	

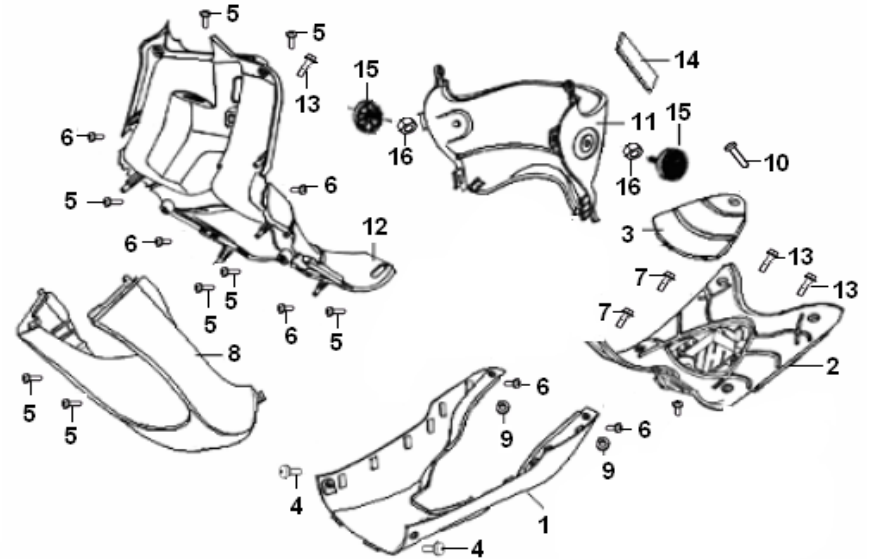


标记 处数 更改文件号 签字 日期

脚防护板总成

LEG SHIELD ASSY.

序号	代码	物料编码		数量	备注
NO.	CODE	materiel coding		QTY.	
1	65407B20T000	65407B030000	COVER lower II	1	
2	65401B20T000	65401B030000	FOOTPLATE	1	
3	65411B20T000	65411B030000	CAP FOOTPLATE	1	
4	B13060601605	B13060601605	SCREW ASSY. 6X16mm	2	
5	B05004201605	B05004201605	SCREW 4.2X16mm	8	
6	B05004201305	B05004201305	SCREW 4.2X13mm	6	
7	B01070601265	B01070601265	BOLT 6X12mm	2	
8	65406B20T000	65406B030000	COVER LOWER I	1	
9	B07020000505	B07020000505	WASHER 5mm	2	
10	B02000502025	B02000502025	SCREW 5X20mm	1	
11	65404B20T000	65404B030000	COVER,FRONT LUGGAGE BOX	1	
12	65402B20T000	65402B030000	COVER, REAR	1	
13	B01070601665	B01070601665	BOLT 6X16mm	3	
14	65403B20T000	65403B030000	INSPECT COVER,FRAME	1	
15	86300B20T001	86300B310000	FRONT REFLECTOR	2	
16	B04070600054	B04070600054	NUT,M6	2	

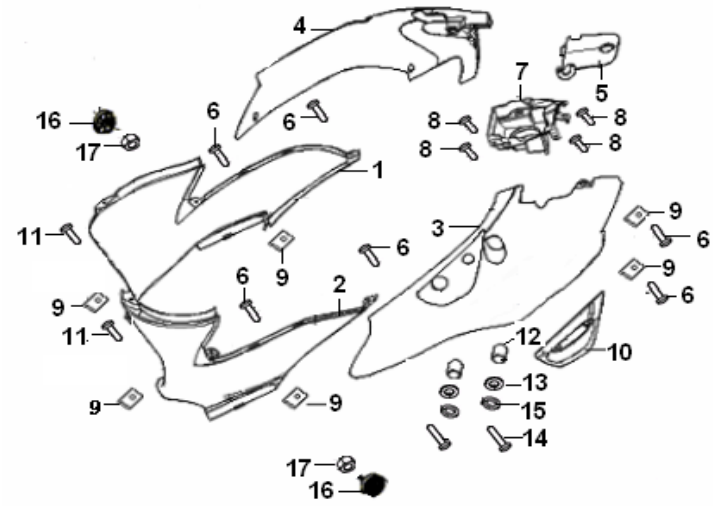


标记 处数 更改文件号 签字 日期

护板总成

FRAME COVER ASSY.

序号	代码	物料编码		数量	备注
NO.	CODE	materiel coding		QTY.	
1	65603B20T000	65603B030000	COVER FRONT RH	1	
2	65601B20T000	65601B030000	COVER FRONT LH	1	
3	65604B20TRH0	65604B03RH00	COVER REAR LH,RED	1	
3	65604B20TL70	65604B03L700	COVER REAR LH,BLUE	1	
3	65604B20TY40	65604B03Y400	COVER REAR LH,YELLOW	1	
4	65602B20TRH0	65602B03RH00	COVER REAR RH,RED	1	
4	65602B20TL70	65602B03L700	COVER REAR RH,BLUE	1	
4	65602B20TY40	65602B03Y400	COVER REAR RH,YELLOW	1	
5	65606B20TRH0	65606B03RH00	COUPLING BOARD , RED	1	
5	65606B20TL70	65606B03L700	COUPLING BOARD , BLUE	1	
5	65606B20TY40	65606B03Y400	COUPLING BOARD , YELLOW	1	
6	B05004201305	B05004201305	TAPPING SCREW 4.2×13MM	6	
7	65615B20T000	57721B030000	BOARD, FUEL TANK FIXING	1	
8	B05074001005	B05074001005	TAPPING SCREW 4×10MM	4	
9	65801J0ET000	65801T020010	CARD	6	
10	65612B20T000	65612B030000	HANDLE, LH	1	
11	B05004201605	B05004201605	TAPPING SCREW 4.2×16MM	2	
12	65613B20T000	65613B030000	BUSH, HANDLE	2	
13	B07030000604	B07030000604	WASHER 6MM	2	
14	B02000603064	B02000603064	SCREW 6×30MM	2	
15	B07000000604	B07000000604	WASHER SPRING 6MM	2	
16	B04070600064	B04070600064	NUT,M6	2	
17	86400B20T001	86400B030001	REAR REFLECTOR,RH,LH	2	

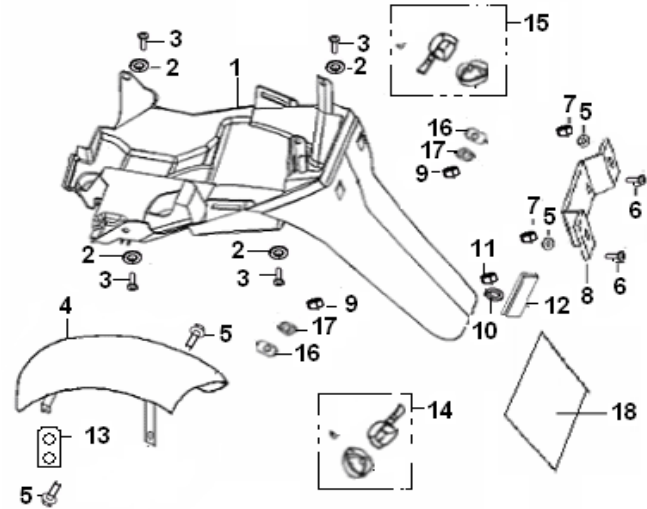


标记 处数 更改文件号 签字 日期

后挡泥板总成

REAR FENDER ASSY.

序号	代码	物料编码		数量	备注
NO.	CODE	materiel coding		QTY.	
1	65701B20T000	65701B030000	FENDER, REAR	1	
2	B07020000605	B07020000605	WASHER 6mm	4	
3	B01010601665	B01010601665	BOLT 6×16mm	4	
4	65702B20T001	65702B030001	TAIL , REAR FENDER	1	
5	08251B20T000	08251B030000	BRACKET,LICENSEPLATE,WASHE	2	
6	B02000501264	B02000501264	SCREW 5×12mm	2	
7	B04240600064	B04240600064	NUT 5mm	2	
8	08202B20T001	08202B030001	BRACKET,LICENSE PLATE	1	
9	B04021012554	B04021012554	NUT M10X1.25	2	
10	B07020000505	B07020000505	WASHER 5	1	
11	B04000500065	B04000500065	NUT M5	1	
12	86500B20T000	86500B030000	REAR REFLECTOR DOT	1	
13	65770B20T000	65770B030000	BRACKET ASSY	1	
14	81500BMBT002	81500B920002	TURN SIGNAL LAMP R.L	1	
15	81700BMBT002	81700B920002	TURN SIGNAL LAMP R.R	1	
16	81704B20T000	81704B030000	CUSHION,REAR TURN LIGHT	2	
17	81703B20T000	81703B030000	RUBBERCUSHION,REARTURNLIGI	2	
18	08256B130000	08256B130000	LICENSE PLATE		

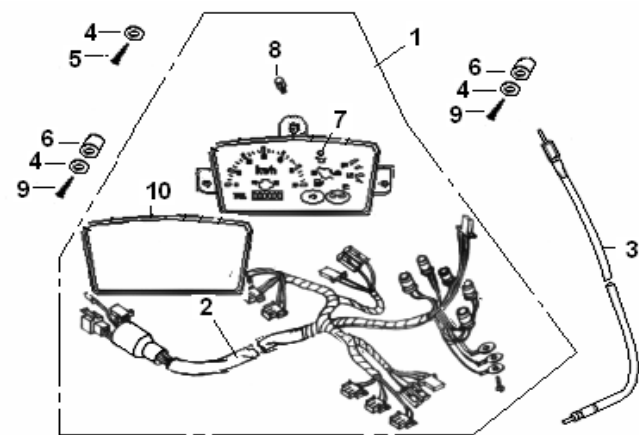


标记 处数 更改文件号 签字 日期

仪表总成

SPEEDOMETER ASSY.

序号	代码	物料编码		数量	备注
NO.	CODE	materiel coding		QTY.	
1	70000B030009	70000B030009	SPEEDOMETER ASSY.	1	
2	75000B20T003	75000B030003	WIRING COMP.	1	
3	72900B20T000	72900B030000	WIRING ASSY, SPEEDOMETER	1	
4	B07020000505	B07020000505	WASHER 5mm	3	
5	B05004801605	B05004801605	TAPPING SCREW	1	
6	70003B20T000	70003B030000	SPEEDOMETER, WASHER	2	
7	70007B20T000	70007B030000	LED OIL SENSOR	1	
8	70001B20T000	70001B030000	BULB SPEED METER 12V3W	1	
9	B05004802505	B05004802505	TAPPING SCREW	2	
10	70001B030009	70001B030009	COVER , SPEEDOMETER	1	

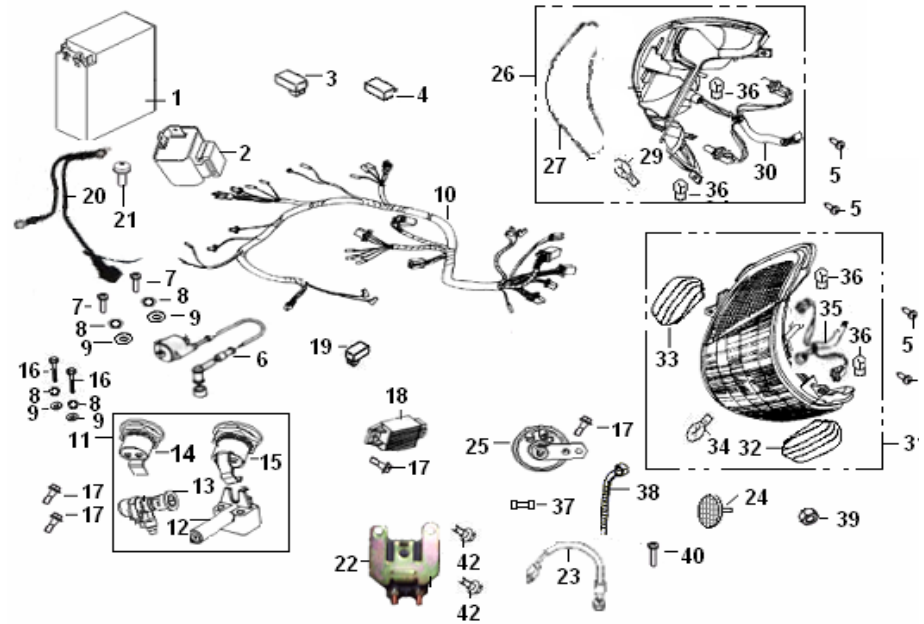


标记 处数 更改文件号 签字 日期

电器总成I

ELECTRICAL EQUIPMENT ASSY.

序号	代码	物料编码	数量	备注
NO.	CODE	material coding	QTY.	
1	96100B0M0T000	96100H010000	1	used
1	96100B030010	96100B030010	1	for
2	96400B20T000	96400B030000	1	used
3	91900B20T000	91900B030000	1	for
4	91901B20T000	91901B030000	1	used
5	B05004801305	B05004801305	4	for
6	96200B0DT000	96200B070000	1	
7	B02000602064	B02000602064	2	
8	B07000000604	B07000000604	4	
9	B07030000604	B07030000604	4	
10	92000B03001L	92000B03001L	1	
11	88000B030005	88000B030005	1	
12	88800B20T000	88800B030000	1	
13	88100B030005	88100B030005	1	
14	88400B20T000	88400B030000	1	
15	88200B20T000	88200B030000	1	
16	B02000604064	B02000604064	2	
17	B01070601665	B01070601665	4	
18	98801B0DT000	98801B070000	1	
19	97701B0DT000	97701B070000	1	
20	96900B00T000	96900B000000	1	
		BATTERY ASSY. 12V,4AH (Y1X5L-BS)	1	used
		BATTERY ASSY. 12V,3AH (Y1X4L-RS)	1	for
		FLASHER	1	
		LIGHT CONTROL SWITCH	1	
		RUBBER COVER	1	
		TAPPING SCREW 4.8×13mm	4	
		COIL ASSY.,IGNITION	1	
		SCREW 6×20mm	2	
		WASHER SPRING 6mm	4	
		WASHER 6mm	4	
		HARNESS, WIRING	1	
		LOCK COMP.mark:on,off	1	
		SEAT LOCK	1	
		LOCK ASSY. STEERING mark:on,of	1	
		LOCK FUEL TANK	1	
		LOCK, FRONT LUGGAGE BOX	1	
		SCREW 6×40mm	2	
		BOLT 6×16 mm	4	
		RECTIFIER	1	
		C.D.I	1	
		WIRE, EARTH	1	



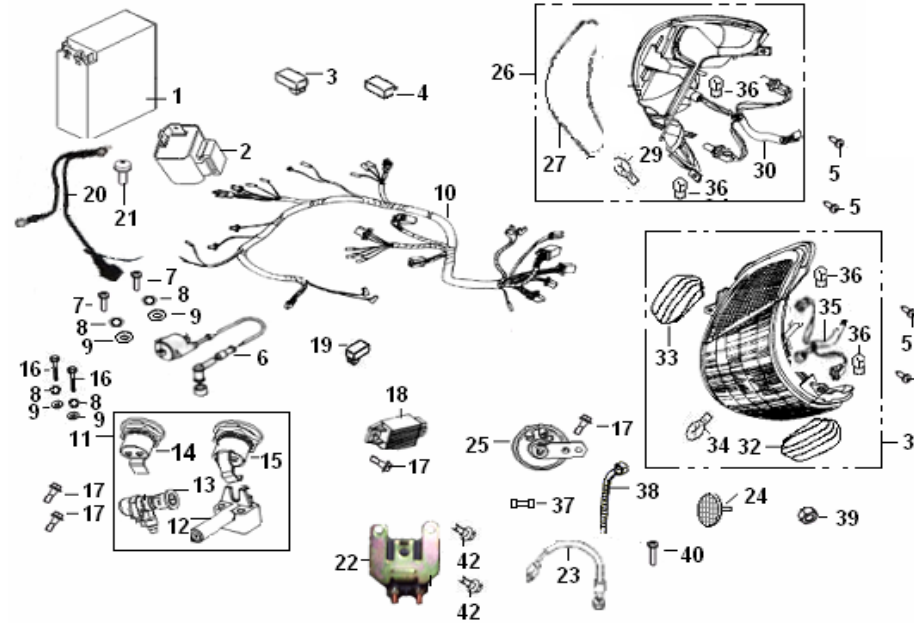
标记 处数 更改文件号 签字 日期

电器总成II

ELECTRICAL EQUIPMENT ASSY.

序号	代码	物料编码	数量	备注
NO.	CODE	materiel coding	QTY.	
21	B13170601264	B13170601264	1	BOLT 6X12mm
22	94100J000002	94100J000002	1	RELAY ASSY.,STARTER
23	92200A020001	92200A020001	1	WIRE
24	86300B0DT001	86300B070001	2	FRONT REFLECTOR
25	95000B20T001	95000B030001	1	HORN ASSY.
26	82000B20T000	82000B030000	1	TAIL LIGHT ASSY , RR
27	82040B030010	82040B030010	1	COVER , TAIL LIGHT RED
29	82005B20T000	82005B030000	1	TAIL LIGHT BULB 12V/5W
30	82900B20T000	82900B030000	1	WIRING ASSY. TAIL LIGHT
31	80000B20T003	80000B030003	1	HEADLIGHT COMP.
32	81100B20T000	81100B030000	1	COVER,FRONT TURN LIGHT, L(WH)
33	81300B20T000	81300B030000	1	COVER,FRONT TURN LIGHT, R(WH)
34	80002B20T000	80002B030000	1	HEADLIGHT BULB 12V/35W
35	80020B20T000	80020B030000	1	WIRING ASSY.HEAD LIGHT
36	81103B20T000	81103B030000	4	INDICATOR BULB 12V/3W
37	96800B20T000	96800B030000	1	FUSE ALARM SYSTEM
38	96001B20T000	96001B030000	4	BAND
39	B04070600054	B04070600054	2	NUT 6mm
40	B02060602064	B02060602064	2	SCREW 6×20mm
41	96310B920000	96310B920000	1	CHARGER PLUG
42	B01090601065	B01090601065	2	BOLT 6×10MM

删除原序号27, 28后左, 右转向灯灯罩(透明) 81500B20T000, 81700B20T000因此状态为整体式尾灯



标记 处数 更改文件号 签字 日期



发动机附件

ENGINE ATTACHMENT

序号	代码	物料编码		数量	备注
NO.	CODE	materiel coding		QTY.	
1	08350B50T000	08350B130000	KICK STARTER ASSY.	1	
2	B01020602565	B01020602565	BOLT 6X25mm	1	

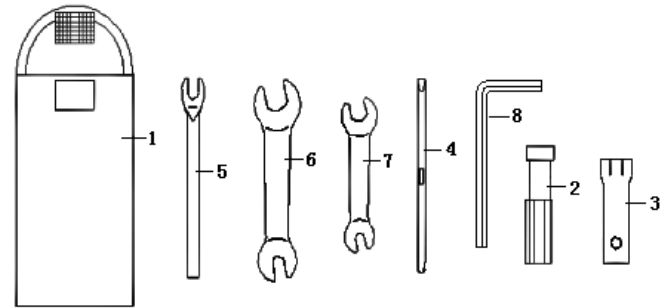


标记 处数 更改文件号 签字 日期

**随车工具总成**

**TOOL KIT ASSY.**

序号	代码	物料编码		数量	备注
NO.	CODE	materiel coding		QTY.	
1	02110G00P000	02110G130000	BAG, TOOL KIT	1	
2	02104G00P000	02104G130000	HANDLE, SCREW DRIVER	1	
3	02101B20T000	02101B030000	SOCKET, SPARK PLUG	1	
4	02103G00P000	02103G130000	DRIVER, DOUBLE-ENDED	1	
5	02108G00P000	02108G130000	WRENCH	1	
6	B20011301603	B20011301603	WRENCH, DOUBLE-ENDED 13-16	1	
7	B20011001203	B20011001203	WRENCH, DOUBLE-ENDED 10-12	1	
8	B20020600003	B20020600003	SOCKET SPANNER 6	1	



标记 处数 更改文件号 签字 日期

铭牌不干胶

STICKER

序号	代码	物料编码		数量	备注
NO.	CODE	materiel coding		QTY.	
1	05512B20T00A	05512B03000A	STICKER , LEFT RIGHT SIDE COVI	2	
2	05525B50T000	05525B130000	STICKER ,COVER	2	
3	57001B03000L	57001B03000L	PLATE, LABEL	1	
4	05596B030003	05596B030003	STICKER "EPA"	1	
5	05533B030005	05533B030005	TIRE PRESSURE	1	
6	05522B130000	05522B130000	TNG,STICKER	1	
7	65594B130000	65594B130000	STICKER"Made In China "	1	
8	05531B030002	05531B030002	WARNING STICKER	1	

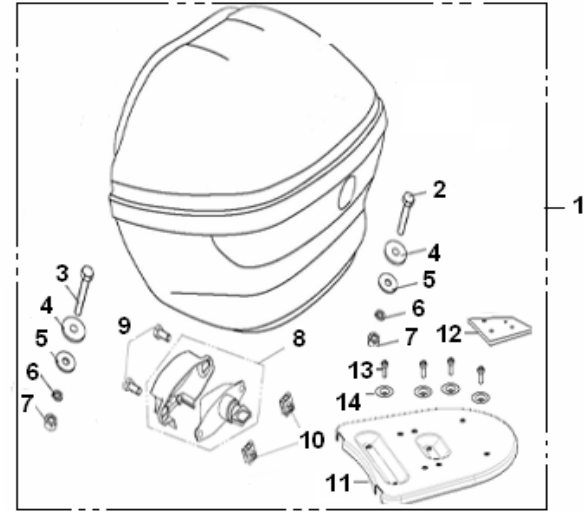


标记 处数 更改文件号 签字 日期

后货箱总成

BACK BOX ASSY

序号	代码	物料编码		数量	备注
NO.	CODE	materiel coding		QTY.	
1	52200B03RH01	52200B03RH01	BACK BOX ASSY (RED)	1	含TNG 贴花
1	52200B03L701	52200B03L701	BACK BOX ASSY (BLUE)	1	
1	52200B03Y401	52200B03Y401	BACK BOX ASSY (YELLOW)	1	
2	B01010603033	B01010603033	BOLT 6X30MM	2	
3	B01010603533	B01010603533	BOLT M6X35	2	
4	52221BMBT000	52221B920000	WASHER	4	
5	B07020000603	B07020000603	WASHER 6MM	4	
6	B07000000603	B07000000603	SPRING WASHER 6MM	4	
7	B04000600043	B04000600043	NUT 6MM	4	
8	88600BMBT000	88600B920000	BACK BOX LOCK	1	
9	B01070601663	B01070601663	SCREW 6X16MM	2	
10	52910BMBT000	52910B920000	NUT , CLIPPING 6MM	2	
11	52180BMBT000	52180B920000	STORAGE BOX , ASSY PLATE	1	
12	52222BMBT000	52222B920000	RUBBER MAT	1	
13	B01010601623	B01010601623	BOLT 6X16MM	4	
14	52221BMBT000	52221B920000	WASHER	4	



标记 处数 更改文件号 签字 日期