

QJ

QJ

# DIAMO® VELOCITY 50 BODY PARTS CATALOG

First Edition January 2008



QJ





---

Copyright © 2004-2008 LS MotorSports, LLC. Reproduction without written permission is completely forbidden.

*The information and diagrams included in this catalog are the exclusive property of LS MotorSports, LLC and may not be reproduced in any media without the express written consent of LS MotorSports, LLC.*


*For more information contact:*

LS MotorSports, LLC  
12505 Reed Rd, Suite 145  
Sugar Land, TX 77478  
281-277-6140

*Information contained in this publication is subject to change without notice.  
For the most up to date information please contact DIAMO USA or an Authorized Dealer*



[www.DIAMOUSA.com](http://www.DIAMOUSA.com)



Copyright © 2004-2008 LS MotorSports, LLC. Reproduction without written permission is completely forbidden.

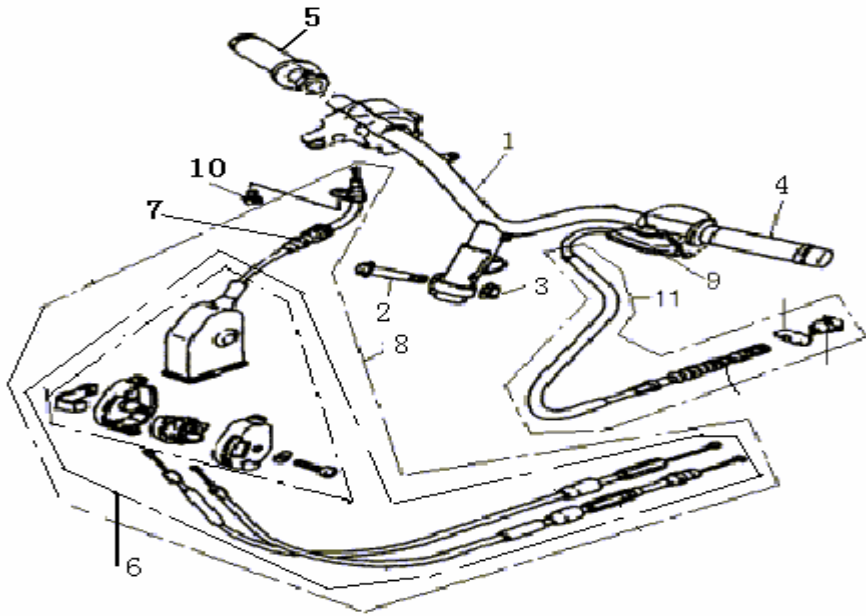
## CONTENTS

PAGE	TITLE
4	DOCUMENTS
5	STEERING
6	HANDLEBAR SWITCHES
7	FRONT FORK
8	FRONT WHEEL (ALLOY RIM)
9	FRONT BRAKE
10	EXHAUST
11	AIR CLEANER
12	FUEL TANK
13	SEAT
14	REAR WHEEL (ALLOY RIM)
15	FRAME
16	REAR SHOCK
17	OIL TANK
18	FRONT FENDER
19	HANDLE COVER
20	FRONT COVER
21	LEG SHIELD
22	FOOTREST/STAND
23	SIDE COVER
24	SPEEDOMETER
25	TURN SIGNAL & HEAD LIGHT
26	TAIL LIGHT
27	ELECTRICAL EQUIPMENT I
28	ELECTRICAL EQUIPMENT II
29	TOOL KIT
30	KICKSTART ARM

**Fig. 00 Documents**

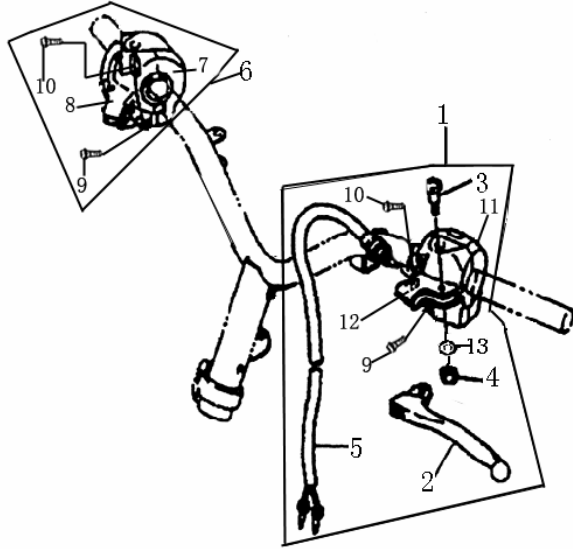
Ref	Code	Part Number	Description	Qty
1		07-020-0001	Owners Manual	1
2		07-020-0002	Parts Catalog CD	1
3		07-020-0003	NA	1

Fig. 13 Steering



Ref	Code	Part Number	Description	Qty
1	40100BMBT001	07-020-1301	HANDLEBAR	1
2	40100BMBT001	07-020-1302	FLANGE BOLT M10X1.25X45	1
3	40100BMBT001	07-020-1303	U NUT M10X1.25	1
4	40100BMBT001	07-020-1304	LFT GRIP	1
5	40100BMBT001	07-020-1305	RGT GRIP	1
6	40100BMBT001	07-020-1306	CABLE, THROTTLE 2	1
7	40100BMBT001	07-020-1307	CABLE, THROTTLE 1	1
8	40100BMBT001	07-020-1308	CABLE ASSY, THROTTLE	1
9	40100BMBT001	07-020-1309	JACKET, RR BRAKE CABLE	1
10	40100BMBT001	07-020-1310	PAN HEAD SCREW M5X10	1
11	40100BMBT001	07-020-1311	BRAKE CABLE ASSY.	1

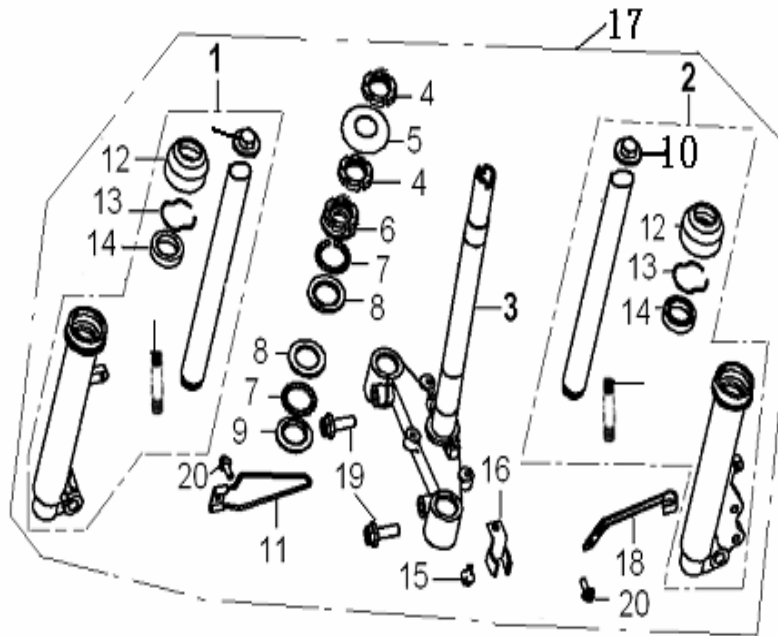
Fig. 14 Handlebar Switches



Ref	Code	Part Number	Description	Qty
1	40500BM0T000	07-020-1401	LEFT COMBINATION SWITCH	1
2	40002BM0T000	07-020-1402	LEFT BRAKE LEVER	1
3	40004BMAT000	07-020-1403	LEVER MOUNTING SCREW M5	1
4	B04000500065	07-020-1404	NUT 5MM	1
5	91700BMAT000	07-020-1405	BRAKE SWITCH, RR	1
6	40600BM0T000	07-020-1406	RIGHT COMBINATION SWITCH	1
7	40610BM0T000	07-020-1407	NA	1
8	40620BM0T000	07-020-1408	NA	1
9	B02000502025	07-020-1409	SCREW 5X20MM	2
10	B02000502525	07-020-1410	SCREW 5X25MM	2
11	40510BM0T000	07-020-1411	NA	1
12	40520BM0T000	07-020-1412	NA	1
13	B07000000505	07-020-1413	WASHER 5MM	1

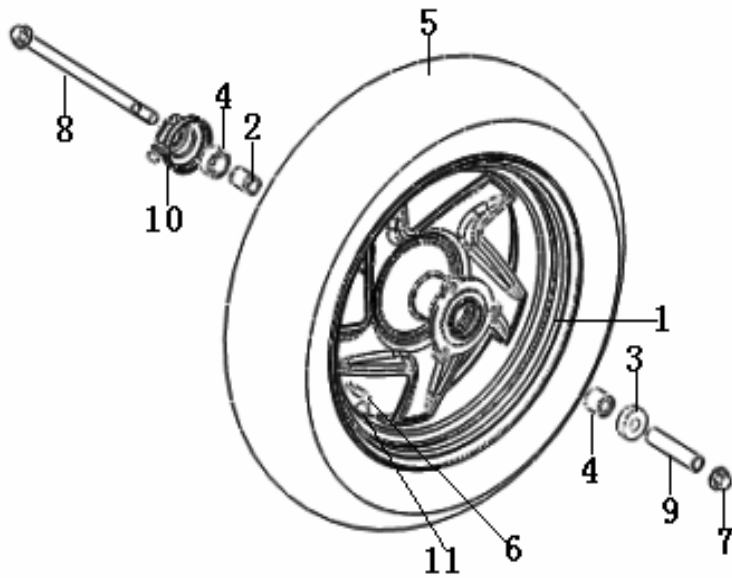


Fig. 15 Front Fork



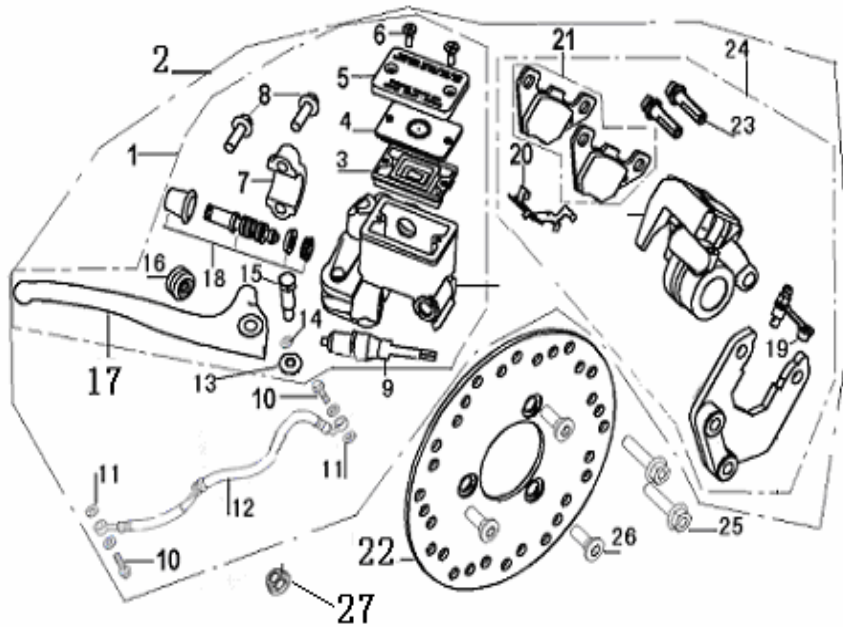
Ref	Code	Part Number	Description	Qty
1	43300BMBT001	07-020-1501	FR RGT FORK ASSY	1
2	43200BMBT001	07-020-1502	FR LFT FORK ASSY	1
3	43100BMBT003	07-020-1503	STEERING STEM	1
4	43008BMBT000	07-020-1504	NUT II	2
5	43005BMBT001	07-020-1505	BALL RACE COVER	1
6	43001BMBT002	07-020-1506	BALL RACE, CONNECTING	1
7	B06010150000	07-020-1507	STEEL BALL 5	42
8	43003BMBT000	07-020-1508	BALL RACE, 2	2
9	43004BMBT000	07-020-1509	BALL RACE, 4	1
10	43204BMBT001	07-020-1510	CAP BOLT	2
11	43150BMBT000	07-020-1511	CLIP, SPEEDOMETER CABLE	1
12	43290K00P000	07-020-1512	DUST SEAL	2
13	43207K00P000	07-020-1513	CLIP	2
14	43260K00P000	07-020-1514	OIL SEAL	2
15	B01090601265	07-020-1515	BOLT M6 x 12	1
16	43035BMBT000	07-020-1516	HOLDER, BRAKE HOSE 2	1
17	43000BMBT001	07-020-1517	NA	1
18	43021BMBT003	07-020-1518	HOLDER, BRAKE HOSE 1	1
19	B01091003065	07-020-1519	FLANGE BOLT 10X1.25X30	2
20	B01070601665	07-020-1520	BOLT 6X16	2

Fig. 16 Front Wheel (Alloy Rim)



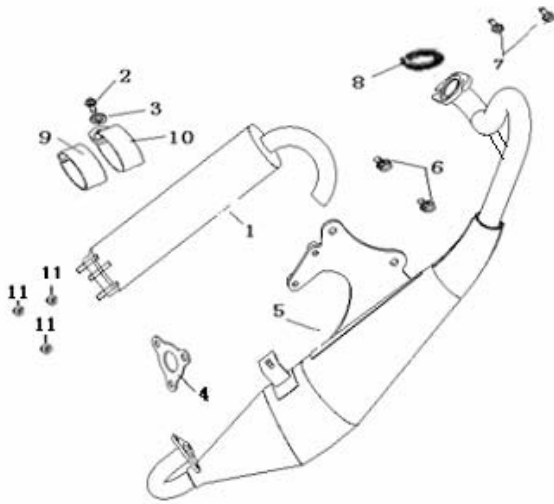
Ref	Code	Part Number	Description	Qty
1	44100BM0T00	07-020-1601	RIM COMP 3.5X12	1
2	44600BM0T910	07-020-1602	COLLAR	1
3	44300BM0T000	07-020-1603	OIL SEAL 22X35X7	1
4	B12016020100	07-020-1604	BALL BEARING 6201-2RS	2
5	B140107D12AB	07-020-1605	TIRE 120/70-12(E MARK)	1
6	B1403Z201100	07-020-1606	TIRE VALVE	1
7	B04171212563	07-020-1607	FLANGE U NUT M12X1.25	1
8	44004G4CT000	07-020-1608	FR WHEEL AXLE M12X1.25X224	1
9	44005BM0T000	07-020-1609	COLLAR	1
10	44200BM0T000	07-020-1610	SPEEDOMETER GEAR	1
11	B1404Z2011C0	07-020-1611	CAP, VALVE	1

Fig. 17 Front Brake



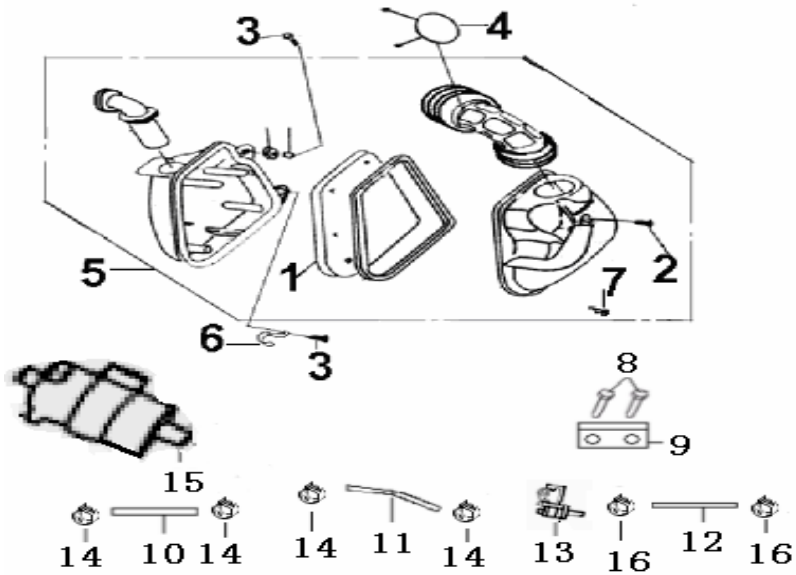
Ref	Code	Part Number	Description	Qty
1	45400BMBTB30	07-020-1701	MASTER CYLINDER, FR	1
2	45000J4FTRN0	07-020-1702	DISC BRAKE ASSY,FR	1
3	45011J1DT000	07-020-1703	RESERVOIR DIAPHRAGM	1
4	45013J1DT000	07-020-1704	WASHER, CYLINDER	1
5	45012BMBT000	07-020-1705	RESERVOIR CAP	1
6	B02010401025	07-020-1706	FLAT HEAD SCREW	2
7	45023J1DT000	07-020-1707	MASTER CYLINDER BRACKET	1
8	B01070602365	07-020-1708	BOLT M6X23MM	2
9	45300J3AT000	07-020-1709	BRAKE SWITCH, FR	1
10	45037J00P000	07-020-1710	UNION BOLT	2
11	45029J00P000	07-020-1711	PLATE WASHER	4
12	45200BMBT000	07-020-1712	FR BRAKE HOSE	1
13	B04160600065	07-020-1713	NUT 6MM	1
14	B07000000605	07-020-1714	SPRING WASHER	1
15	45024J1CT000	07-020-1715	BOLT 6MM	1
16	45057G0KP000	07-020-1716	TENSION SPRING,LEVER	1
17	45022J3AT000	07-020-1717	BRAKE LEVER, FR	1
18	45140J00P000	07-020-1718	PISTON, MASTER CYLINDER	1
19	45021J00P000	07-020-1719	BLEED SCREW CAP	1
20	45017G0CP000	07-020-1720	PAD SUPPORT,1	1
21	45110J4FT000	07-020-1721	BRAKE PAD KIT	1pair
22	45033BMBTC20	07-020-1722	BRAKE DISC	1
23	45053G0CP000	07-020-1723	GUIDE POLE	2
24	45500J4FTRN0	07-020-1724	CALIPER ASSY	1
25	45039J4FT000	07-020-1725	BOLT M8X36	2
26	45036BMAT000	07-020-1726	BOLT	3
27	B04171012563	07-020-1727	FLANGE NUT	3

Fig. 18 Exhaust



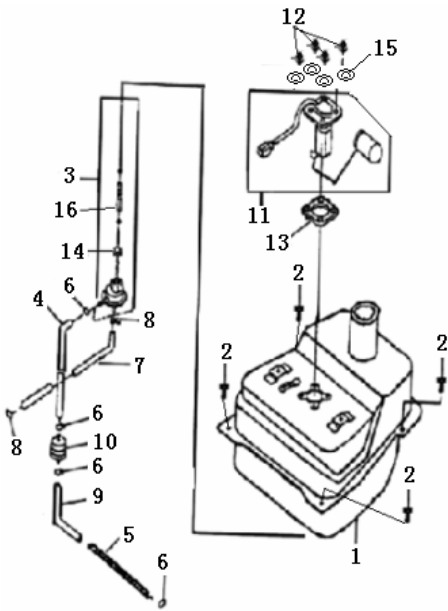
Ref	Code	Part Number	Description	Qty
1	48300B14RH00	07-020-1801	MUFFLER CANNISTER ASSY	1
2	B01070601664	07-020-1802	BOLT 6X16MM	1
3	B07000000604	07-020-1803	WASHER 6MM	1
4	47490B910000	07-020-1804	CUSHION	1
5	47200B92000R	07-020-1805	MUFFLER ASSY	1
6	B01090801664	07-020-1806	BOLT 8X16MM	2
7	B01090601665	07-020-1807	BOLT 6X16MM	2
8	47800B070000	07-020-1808	GASKET, EXHAUST PIPE	1
9	47833B140005	07-020-1809	ADIABATIC RUBBER	1
10	48831B140005	07-020-1810	MUFFLER HANGER	1
11	B04070600054	07-020-1811	NUT 6MM	3

Fig. 19 Air Cleaner



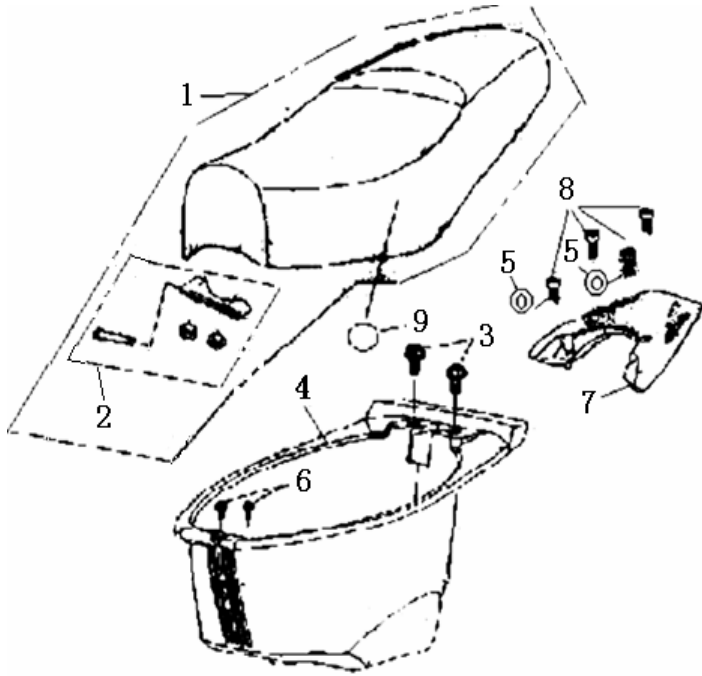
Ref	Code	Part Number	Description	Qty
1	49200B920000	07-020-1901	FILTER ELEMENT	1
2	B05074202005	07-020-1902	TAPPING SCREW 4.2X20MM	5
3	B01090602065	07-020-1903	BOLT 6X20MM	2
4	49016B910000	07-020-1904	CLIP 42.5	1
5	49000B920001	07-020-1905	AIR CLEANER ASSY	1
6	49371B070000	07-020-1906	GUIDE, BRAKE CABLE	1
7	B05074201205	07-020-1907	TAPPING SCREW 4.2X12MM	4
8	B01090601265	07-020-1908	BOLT 6X12MM	2
9	57051B140000	07-020-1909	PLATE, ONE WAY VALVE	1
10	49853B920002	07-020-1910	HOSE II 200MM	1
11	49852B920001	07-020-1911	HOSE I 250MM	1
12	49851B920002	07-020-1912	HOSE 260MM	1
13	49840W110000	07-020-1913	ONE WAY VALVE II	1
14	49805B920000	07-020-1914	SPRING, LOCK 17.5	4
15	49870B140000	07-020-1915	AIR CLEANER, SMALL	1
16	49855W110000	07-020-1916	SPRING, LOCK 16.5	2

Fig. 20 Fuel Tank



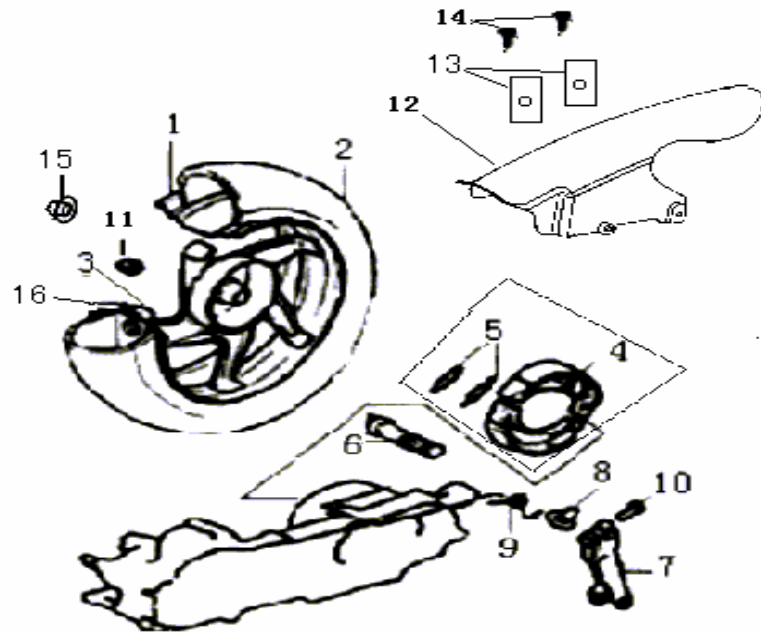
Ref	Code	Part Number	Description	Qty
1	50100BMBT002	07-020-2001	FUEL TANK	1
2	B01090601665	07-020-2002	BOLT 6X16MM	4
3	50300BM0T000	07-020-2003	FUEL PETCOCK	1
4	50301BM0T000	07-020-2004	FUEL HOSE, 1 (4.5X8.5X80)	1
5	50316BMBT000	07-020-2005	SPRING	1
6	50307BM0T000	07-020-2006	CLIP 8	4
7	50302BM0T000	07-020-2007	VACUUM HOSE, 1 (4X8X360)	1
8	50306BM0T000	07-020-2008	CLIP 7	2
9	50303BM0T000	07-020-2009	FUEL HOSE, 2 (4.5X8.5X250)	1
10	50340J0ET000	07-020-2010	FUEL FILTER	1
11	50800BMBT000	07-020-2011	FUEL SENDING UNIT	1
12	50801BM0T000	07-020-2012	BOLT 5X16MM	4
13	50004BMBT000	07-020-2013	GASKET, FUEL SENDING UNIT	1
14	50312J0ET000	07-020-2014	SEAL RING	1
15	B070200005005	07-020-2015	WASHER 5MM	4
16	50352BM0T000	07-020-2016	FUEL SCREEN, FUEL PETCOCK	1

Fig. 21 Seat



Ref	Code	Part Number	Description	Qty
1	51100BMBT007	07-020-2101	SEAT ASSY - GTX50	1
2	51080BMBT001	07-020-2102	SEAT HINGE	1
3	08011H60X000	07-020-2103	BOLT 6X14 MM	2
4	51004BMBT001	07-020-2104	LUGGAGE BOX	1
5	B07030000805	07-020-2105	WASHER 8MM	2
6	08017J4AT000	07-020-2106	BOLT 6X20 MM	2
7	52011BMKTB40	07-020-2107	RR CARRIER RACK	1
8	B02050804565	07-020-2108	SCREW 8X45MM	4
9	08032BM0T000	07-020-2109	O-RING 84.4X3.1MM	1

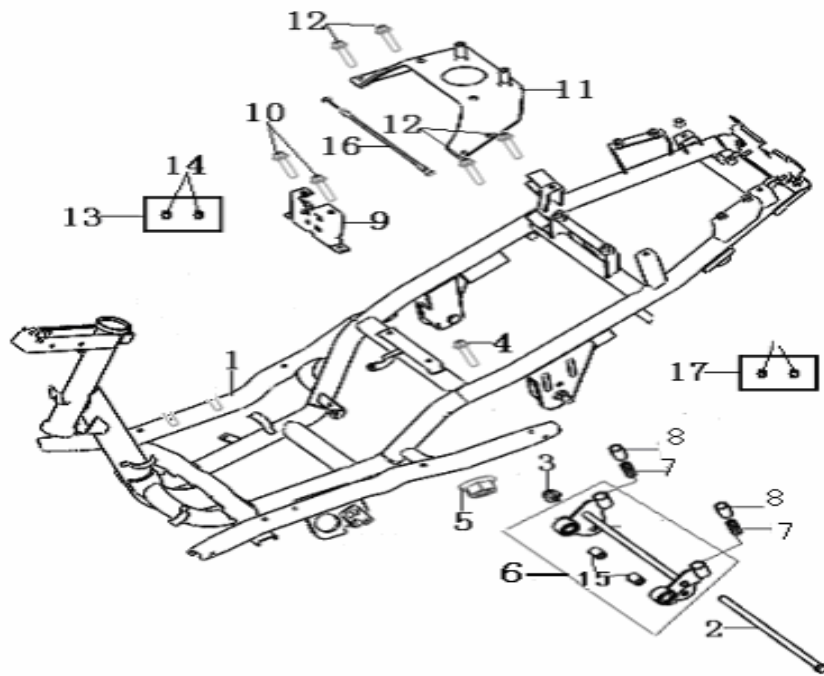
Fig. 22 Rear Wheel (Alloy Rim)



Ref	Code	Part Number	Description	Qty
1	54100BM0T00A	07-020-2201	RR RIM 3.5X12"	1
2	B140108D12BB	07-020-2202	TIRE 130/70-12	1
3	B1403Z201100	07-020-2203	TIRE VALVE	1
4	54200BMBT000	07-020-2204	BRAKE SHOE KIT	2
5	54001BMBT000	07-020-2205	SPRING	2
6	54003BM0T000	07-020-2206	CAM SHAFT, 2	1
7	54007BM0T000	07-020-2207	CAM SHAFT LEVER, 2	1
8	54002BM0T000	07-020-2208	INDICATOR PLATE	1
9	54008BMBT000	07-020-2209	TENSION SPRING	1
10	08012BM0T000	07-020-2210	HEX. BOLT 6X30	1
11	B04171615063	07-020-2211	U NUT M16X1.5	1
12	65701BMBT000	07-020-2212	REAR FENDER	1
13	65803J0ET000	07-020-2213	SPRING NUT 6MM	2
14	B01090602065	07-020-2214	BOLT M6X20MM	2
15	54027BM0T000	07-020-2215	CAP	1
16	B1404Z2011C0	07-020-2216	CAP, VALVE	1

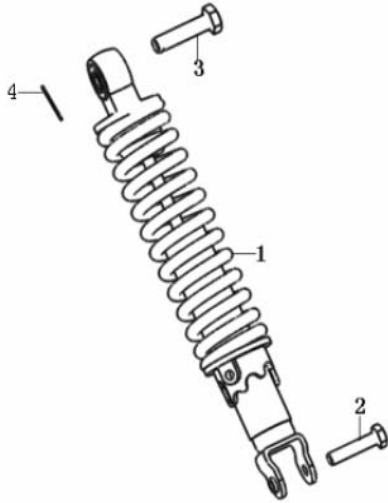


Fig. 23 Frame



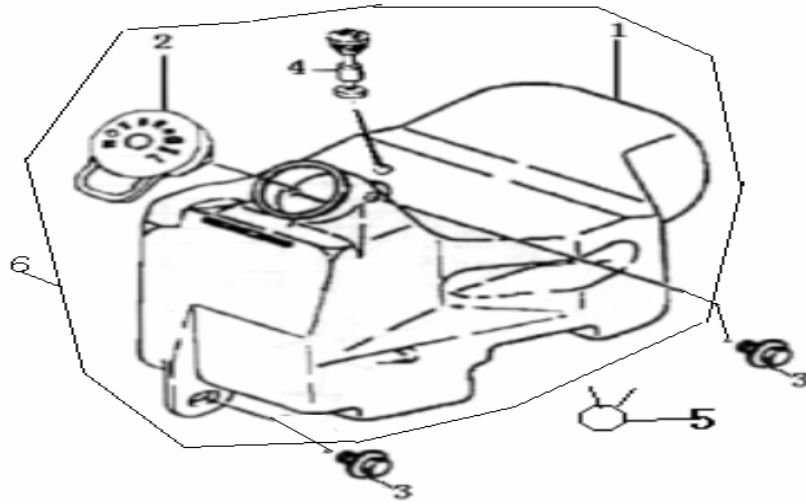
Ref	Code	Part Number	Description	Qty
1	57100BMBT004	07-020-2301	FRAME	1
2	58303BM0T000	07-020-2302	MOUNTING BOLT 1, M12X1.25X280	1
3	B04171212563	07-020-2303	U NUT 12X1.25MM	1
4	58301BMBT000	07-020-2304	MOUNTING BOLT 2	2
5	B04171012565	07-020-2305	U NUT 10X1.25MM	2
6	58360BMBT000	07-020-2306	ENGINE MOUNT	1
7	58302B0DT000	07-020-2307	DAMPER	2
8	58304BMBT000	07-020-2308	SPRING	2
9	58800BM0T000	07-020-2309	SEAT LATCH	1
10	B01090602065	07-020-2310	BOLT 6X20MM	2
11	57080BMKT000	07-020-2311	CARRIER BRACKET	1
12	B01090601265	07-020-2312	BOLT 6X12MM	4
13	57001BMBT010	07-020-2313	FRAME BODY NO. PLATE	1
14	B100432007P0	07-020-2314	RIVET3.2X7MM	4
15	58350BMBT000	07-020-2315	BUSHING, ENGINE BRACKET	2
16	58900BMBT000	07-020-2316	SEAT CABLE	1
17	57002BMBT010	07-020-2317	ANTI-TAMPERING PLATE	1

Fig. 24 Rear Shock



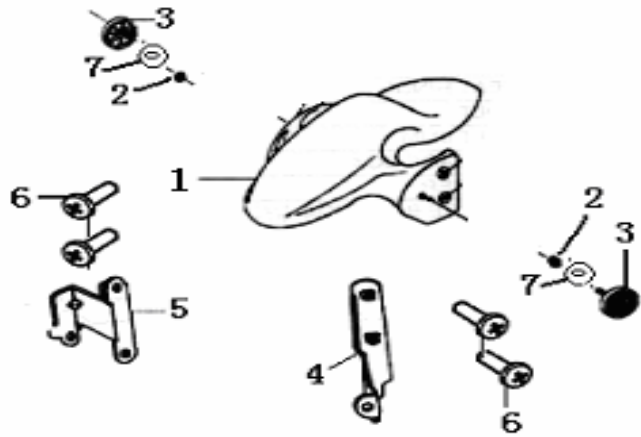
Ref	Code	Part Number	Description	Qty
1	63100BM0TC10	07-020-2401	RR SHOCK	1
2	63015J0ET000	07-020-2402	BOLT 8X31MM	1
3	B01141004063	07-020-2403	BOLT 10X1.25X40MM	1
4	63016B0DT000	07-020-2404	SPLIT PIN	1

Fig. 25 Oil Tank



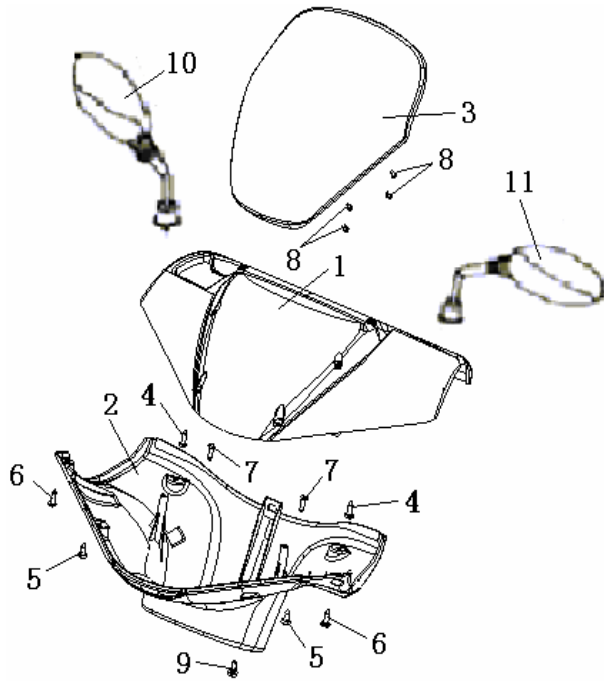
Ref	Code	Part Number	Description	Qty
1	64001BMAT000	07-020-2501	OIL TANK	1
2	64090BMAT000	07-020-2502	OIL TANK CAP	1
3	B01090601665	07-020-2503	BOLT 6X16MM	2
4	64100BMAT000	07-020-2504	OIL LEVEL SENSOR	1
5	50307BM0T000	07-020-2505	CLIP 8	1
6	64000BMAT000	07-020-2506	OIL TANK ASSY.	1

Fig. 26 Front Fender



Ref	Code	Part Number	Description	Qty
1	65101BMBTR70	07-020-2601	FRONT FENDER	1
2	B04000500063	07-020-2602	FLANGE NUT 5MM	2
3	86300BMMT000	07-020-2603	REFLECTOR	2
4	65130BMBT000	07-020-2604	FRONT FENDER BRACKET, 1	1
5	65140BMBT000	07-020-2605	FRONT FENDER BRACKET, 2	1
6	65114BMBT000	07-020-2606	SCREW W/WASHER 6X16MM	4
7	B07030000503	07-020-2607	WASHER 5	2

Fig. 27 Handle Cover



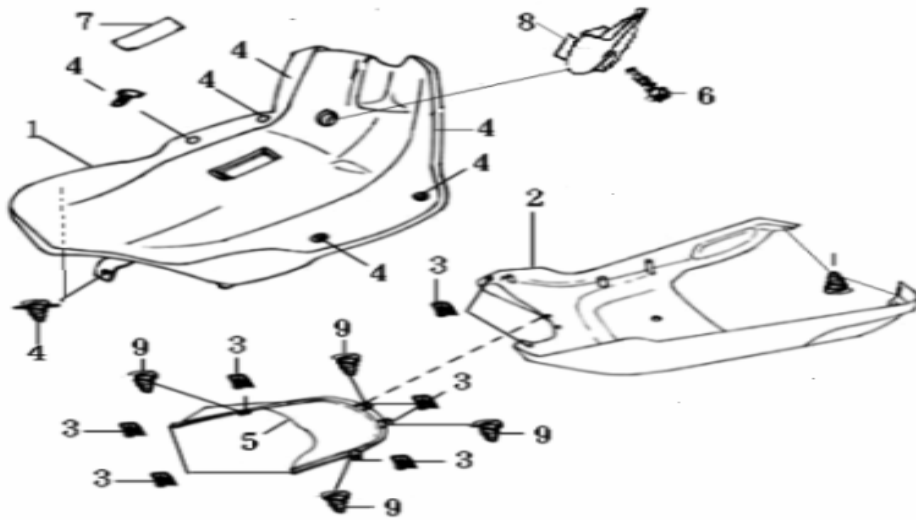
Ref	Code	Part Number	Description	Qty
1	65201BMBTB42	07-020-2701	HANDLE COVER, 1	1
2	65202BMBT000	07-020-2702	HANDLE COVER, 2	1
3	65203BMBT000	07-020-2703	WINDSCREEN	1
4	B05075001605	07-020-2704	SCREW 5X16MM	2
5	B05075001205	07-020-2705	SCREW 5X12MM	2
6	B05074001205	07-020-2706	SCREW 4X12MM	2
7	B05074001605	07-020-2707	SCREW 4X16MM	2
8	B05073001005	07-020-2708	SCREW 3X10MM	4
9	B13010501405	07-020-2709	SCREW 5X14MM	1
10	40470BMBT002	07-020-2710	REAR VIEW MIRROR, RGT	1
11	40460BMBT002	07-020-2711	REAR VIEW MIRROR, LFT	1

Fig. 28 Front Cover



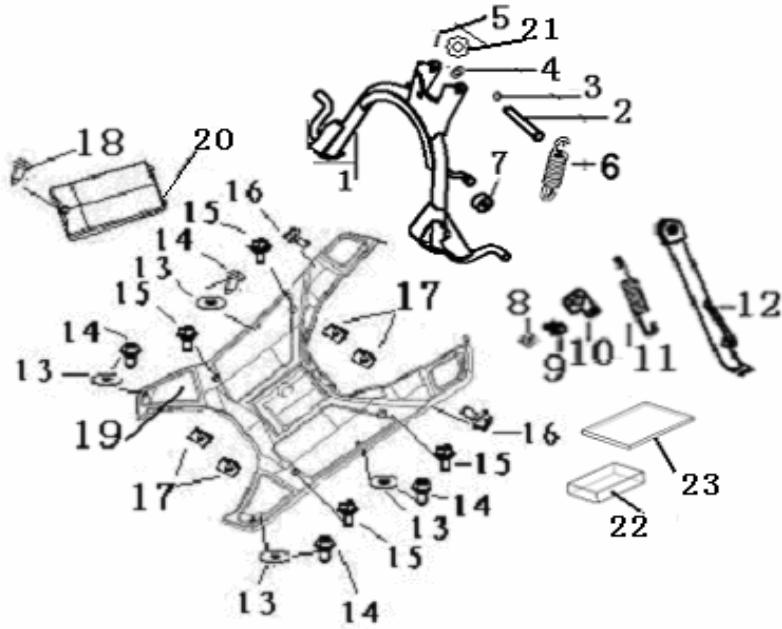
Ref	Code	Part Number	Description	Qty
1	65301BMBTB4A	07-020-2801	FRONT COVER	1
2	65314BMBT000	07-020-2802	SCREW	1
3	08027J4AT000	07-020-2803	PLASTIC WASHER	1
4	B05074201605	07-020-2804	SCREW 4X16	4
5	65367BMBT000	07-020-2805	SCREEN, R	1
6	65366BMBT000	07-020-2806	SCREEN, L	1
7	B05074001205	07-020-2807	SCREW 4X12	6
8	65801BMBT000	07-020-2808	SPRING NUT	4

Fig. 29 Leg Shield



Ref	Code	Part Number	Description	Qty
1	65402BMBT000	07-020-2901	LEG SHIELD, 2	1
2	65406BMBTCA0	07-020-2902	BOTTOM COVER	1
3	65801BMAT000	07-020-2903	SPRING NUT 4MM	8
4	B05074801605	07-020-2904	TAPPING SCREW 4.8X16	8
5	65407BMKT000	07-020-2905	INNER FENDER	1
6	B01090603065	07-020-2906	BOLT6X30	1
7	65403BMBT000	07-020-2907	VIN COVER	1
8	51011BMBT000	07-020-2908	HOOK, HELMET	1
9	B05074201605	07-020-2909	TAPPING SCREW 4.2X16	8

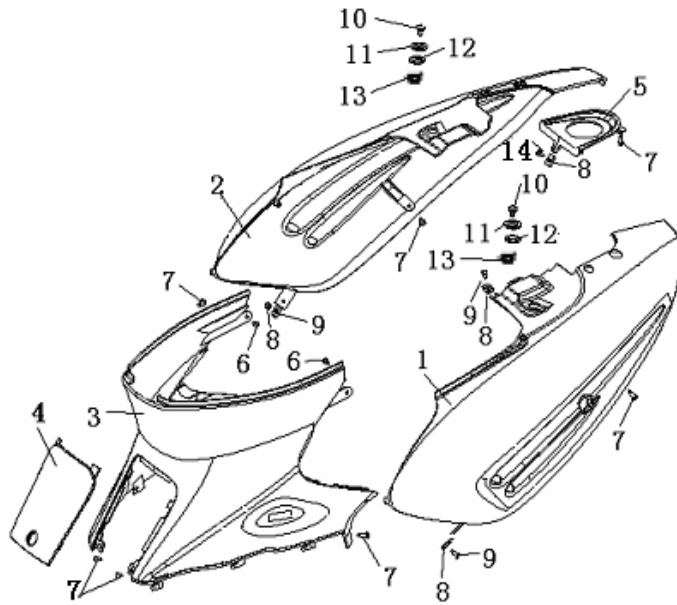
Fig. 30 Footrest & Stand



Ref	Code	Part Number	Description	Qty
1	58520BM0T002	07-020-3001	MAIN STAND	1
2	58590BM0T000	07-020-3002	PIN	1
3	B190101000A0	07-020-3003	O-RING 10X1.8	1
4	58508B0DT000	07-020-3004	PLATE WASHER	1
5	63016B0DT000	07-020-3005	SPLIT PIN	1
6	58510BM0T000	07-020-3006	SPRING, MAIN STAND	1
7	58507BM0T000	07-020-3007	CUSHION, MAIN STAND	1
8	B04070800065	07-020-3008	U NUT 8MM	1
9	57005BMBT000	07-020-3009	BOLT, SINGLE STAND	1
10	57006BM0T000	07-020-3010	HOOK SPRING	1
11	57010BM0T000	07-020-3011	SPRING, SIDE STAND	1
12	58700BM0T000	07-020-3012	SIDE STAND	1
13	B07030000505	07-020-3013	WASHER 5	4
14	B05074001605	07-020-3014	TAPPING SCREW	6
15	08011H60X000	07-020-3015	BOLT	4
16	B01090601265	07-020-3016	BOLT 6X12	4
17	65802BMBT000	07-020-3017	SPRING NUT	6
18	B05075001605	07-020-3018	TAPPING SCREW 5X16	1
19	65401BMBT000	07-020-3019	FLOORBOARD	1
20	65813BMBT000	07-020-3020	BATTERY COVER	1
21	B07030001005	07-020-3021	WASHER 10	1
22	65812BMBT000	07-020-3022	BATTERY DAMPER II	1
23	65811BMBT000	07-020-3023	BATTERY DAMPER I	1

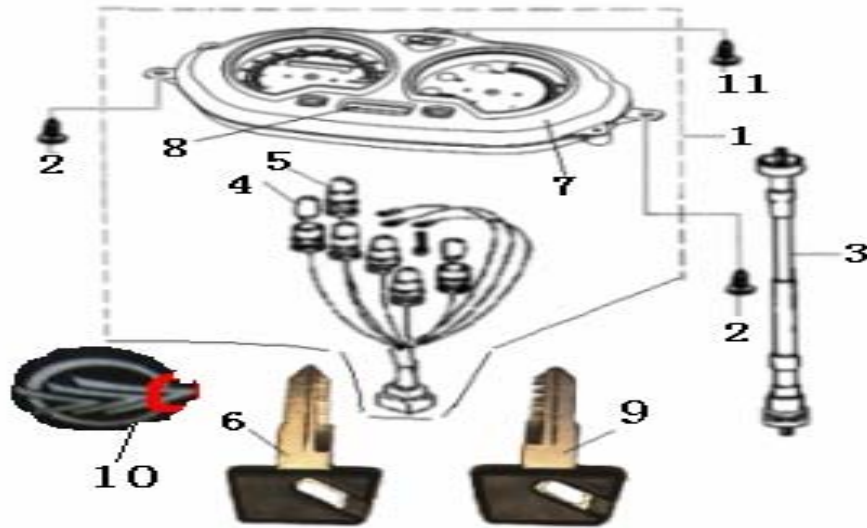


Fig. 31 Side Cover



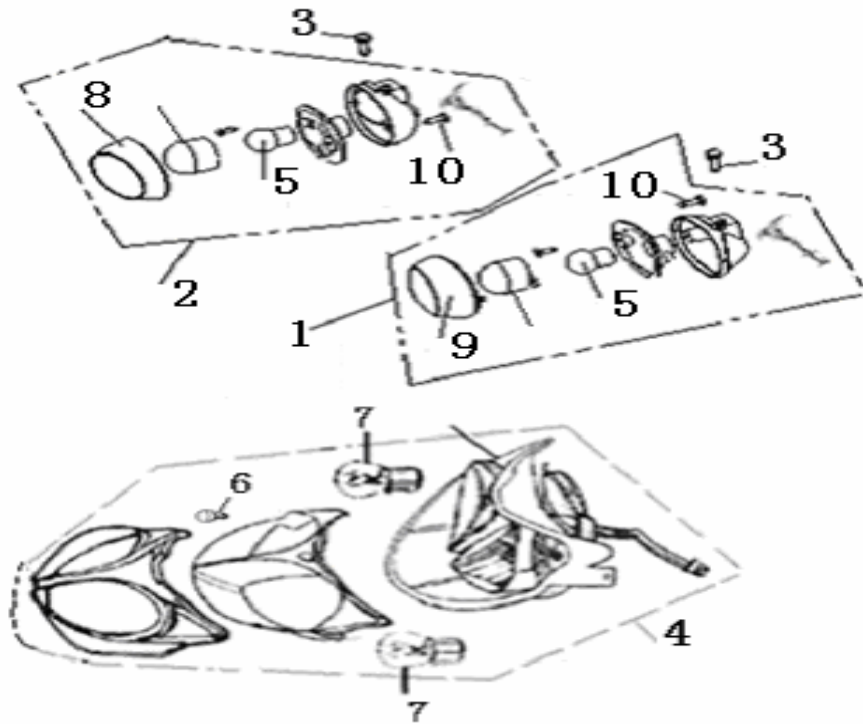
Ref	Code	Part Number	Description	Qty
1	65601BMBTB40	07-020-3101	SIDE COVER, 1	1
2	65602BMBTB40	07-020-3102	SIDE COVER, 2	1
3	65605BMBT000	07-020-3103	SIDE COVER, 3	1
4	65619BMBT000	07-020-3104	SIDE COVER, 4	1
5	65606BMBTB40	07-020-3105	SIDE COVER, 5	1
6	B05074001205	07-020-3106	SCREW 4X12MM	2
7	B05074801605	07-020-3107	SCREW	7
8	65802BMAT000	07-020-3108	SPRING NUT 5MM	4
9	B05075001205	07-020-3109	SCREW 5X12MM	4
10	B02000602025	07-020-3110	SCREW 6X20MM	2
11	08021BMBT000	07-020-3111	WASHER	2
12	65618J00P000	07-020-3112	RUBBER WASHER	2
13	65709BM0T000	07-020-3113	BUSH, RR. FENDER	2
14	B05074801305	07-020-3114	SCREW	1

Fig. 32 Speedometer



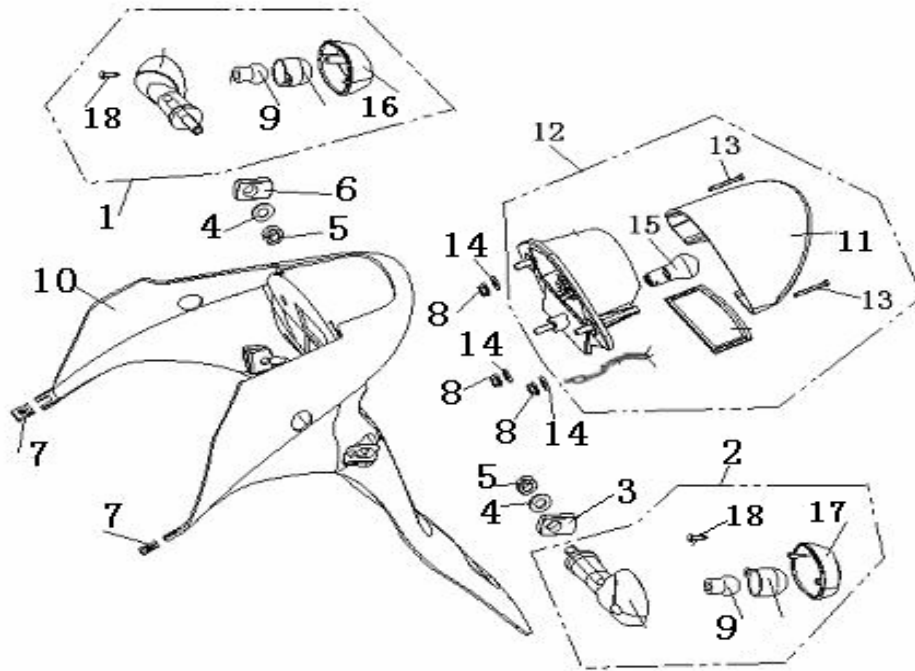
Ref	Code	Part Number	Description	Qty
1	70000BMMTW63	07-020-3201	SPEEDOMETER	1
2	B05074001205	07-020-3202	TAPPING SCREW 4X12	2
3	72900BMBT000	07-020-3203	SPEEDOMETER CABLE	1
4	70001BMBT000	07-020-3204	BULB 12V-3W	3
5	70036BMBT000	07-020-3205	BULB 12V-2W	3
6	88900BMBT001	07-020-3206	KEY CUT RIGHT	1
7	70003BMBT004	07-020-3207	SPEEDOMETER LENS	1
8	76000BMBT001	07-020-3208	DIGITAL CLOCK	1
9	88900BMBT002	07-020-3209	KEY CUT LEFT	1
10	05501J4HT000	07-020-3210	NA	1
11	B05074001005	07-020-3211	TAPPING SCREW	1

Fig, 33 Turn Signal & Headlight



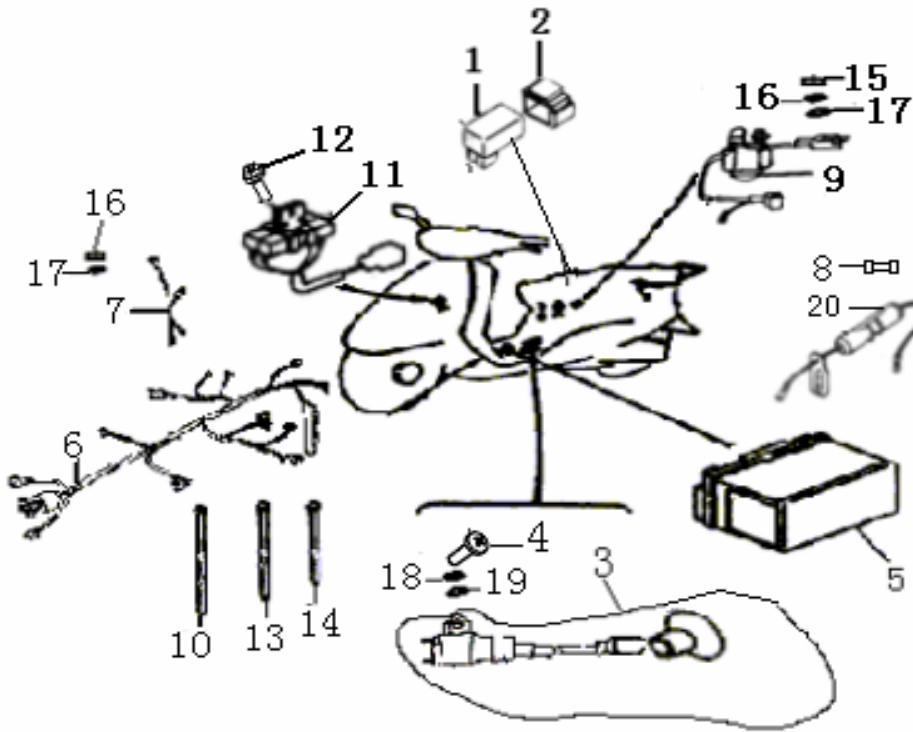
Ref	Code	Part Number	Description	Qty
1	81100B20T001	07-020-3301	TURN SIGNAL ASSY, FR LFT	1
2	81300B20T001	07-020-3302	TURN SIGNAL ASSY, FR RGT	1
3	B13060501205	07-020-3303	SCREW W/WASHER 5X12	2
4	80000J4AT000	07-020-3304	HEAD LAMP ASSY.	1
5	81004BMBT000	07-020-3305	BULB, 12V/10W	2
6	70001BMBT000	07-020-3306	BULB(12V-3W)	1
7	80002B20T000	07-020-3307	BULB(12V35/35W)	2
8	81302B20T000	07-020-3308	LIGHT COVER, R.	1
9	81102B20T000	07-020-3309	LIGHT COVER, L.	1
10	08011B20T000	07-020-3310	SCREW 3X28	2

Fig. 34 Tail Light



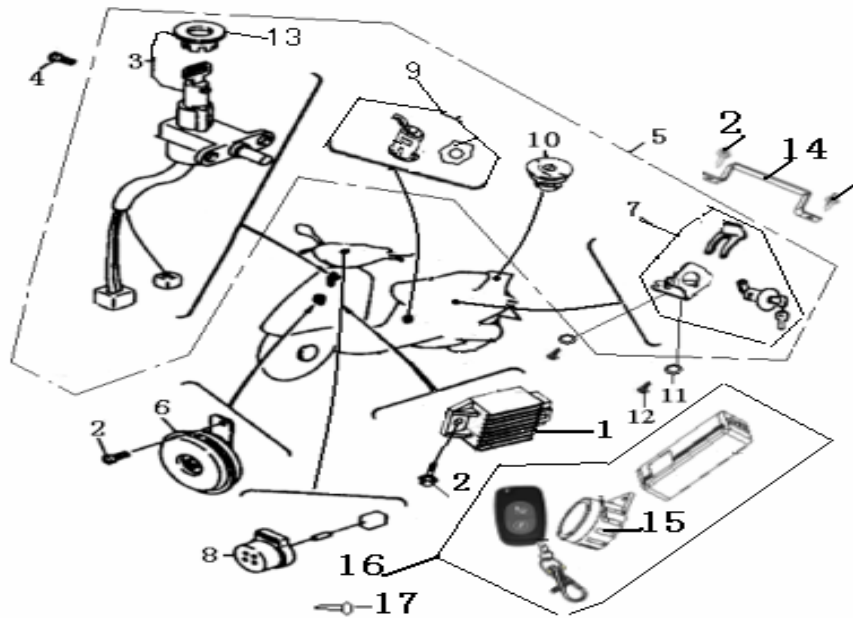
Ref	Code	Part Number	Description	Qty
1	81700B20T001	07-020-3401	TURN SIGNAL, RR RGT	1
2	81500B20T001	07-020-3402	TURN SIGNAL, RR LFT	1
3	81511BM0T000	07-020-3403	CUSHION, TURN SIGNAL LFT	1
4	B07030001005	07-020-3404	WASHER 10MM	2
5	B04061012555	07-020-3405	NUT10X1.25MM	2
6	81708BM0T000	07-020-3406	CUSHION, TURN SIGNAL RGT	1
7	65802BM0T000	07-020-3407	SPRING NUT 5MM	2
8	B04070600065	07-020-3408	NUT 6MM	3
9	81004BMBT000	07-020-3409	BULB, 12V/10W	2
10	08202BM0T000	07-020-3410	LICENSE BRACKET	1
11	82008BM0T003	07-020-3411	TAIL LIGHT LENS	1
12	82000BM0T001	07-020-3412	TAIL LIGHT ASSY	1
13	08009BM0T000	07-020-3413	SCREW 4X28	2
14	82011G00P000	07-020-3414	RUBBER WASHER	3
15	82005B20T000	07-020-3415	BULB 12V 21/5W	1
16	81302B20T000	07-020-3416	TURN SIGNAL LENS, RR LFT	1
17	81102B20T000	07-020-3417	TURN SIGNAL LENS, RR RGT	1
18	08011B20T000	07-020-3418	SCREW 3X28	2

Fig. 35 Electrical I



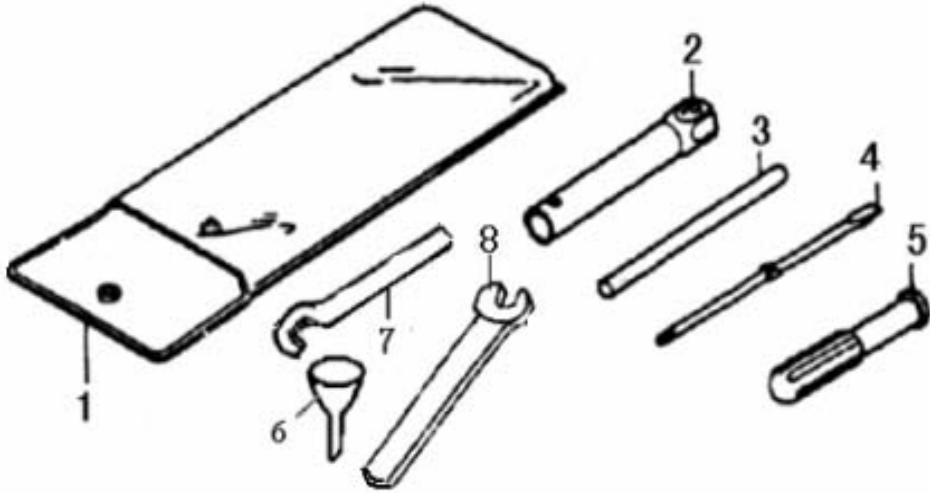
Ref	Code	Part Number	Description	Qty
1	97701BM0T001	07-020-3501	CDI	1
2	96007BM0T000	07-020-3502	CUSHION, CDI	1
3	96200BMAT000	07-020-3503	COIL	1
4	B02000502025	07-020-3504	SCREW 5X20	1
5	96100BM0T000	07-020-3505	BATTERY	1
6	92000BMBT00A	07-020-3506	WIRE HARNESS, MAIN	1
7	96900BMBT000	07-020-3507	WIRE HARNESS	1
8	96810BMAT000	07-020-3508	FUSE 8A,250V	1
9	94000BMBT000	07-020-3509	STARTER RELAY COMP.	1
10	96001K00P000	07-020-3510	BAND 8*250	3
11	96600BMAT000	07-020-3511	RESISTOR	1
12	B01090601265	07-020-3512	BOLT 6X12	2
13	96003K00P000	07-020-3513	BAND 8*200	3
14	96002K00P000	07-020-3514	BAND 8*150	1
15	B04000600055	07-020-3515	NUT 6MM	1
16	B07000000605	07-020-3516	WASHER 6	2
17	B07030000605	07-020-3517	WASHER 6	2
18	B07000000505	07-020-3518	WASHER 5	1
19	B07030000505	07-020-3519	WASHER 5	1
20	96800BMAT000	07-020-3520	FUSE COMP	1

Fig. 36 Electrical II



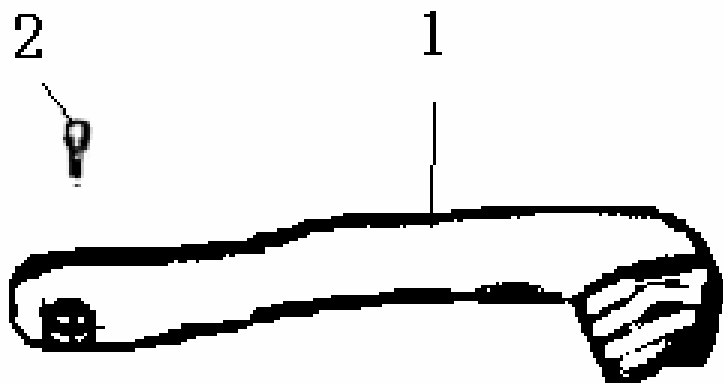
Ref	Code	Part Number	Description	Qty
1	98801J0ET000	07-020-3601	VOLTAGE REGULATOR	1
2	B01090601265	07-020-3602	BOLT 6X12	4
3	88100BMBT000	07-020-3603	IGNITION SWITCH - INCL IN 07-20-3605	1
4	08002BMBT000	07-020-3604	BOLT 6X12	2
5	88000BMBT000	07-020-3605	LOCK SET	1
6	95000BMDT000	07-020-3606	HORN	1
7	88800BMBT000	07-020-3607	LOCK, SEAT - INCL IN 07-20-3605	1
8	96500BM0T00B	07-020-3608	TURN SIGNAL RELAY	1
9	88500BMBT000	07-020-3609	LOCK, COVER - INCL IN 07-20-3605	1
10	88400BMBT000	07-020-3610	LOCK, FUEL TANK - INCL IN 07-20-3605	1
11	B07030000505	07-020-3611	WASHER 5	2
12	B05074001005	07-020-3612	TAPPING SCREW 4X10	2
13	88101BMBT000	07-020-3613	COVER MAIN SWITCH	1
14	95701JCCT000	07-020-3614	BRACKET, ALARM SYSTEM	1
15	95730BMBT002	07-020-3615	NA	1
16	95700BMBT002	07-020-3616	ALARM SYSTEM	1
17	B05074801305	07-020-3617	TAPPING SCREW	1

Fig. 37 Tool Kit



Ref	Code	Part Number	Description	Qty
1	02110BM0T000	07-020-3701	TOOL BAG	1
2	02102BM0T000	07-020-3702	SPARK PLUG SOCKET	1
3	02101BM0T000	07-020-3703	SPARK PLUG SOCKET HANDLE	1
4	02103BM0T000	07-020-3704	SCREW DRIVER	1
5	02104BM0T000	07-020-3705	HANDLE	1
6	02114BM0T000	07-020-3706	FUNNEL, OIL TANK	1
7	02115BM0T000	07-020-3707	RR SHOCK ABSORBER ADJUSTER	1
8	02117BMBT000	07-020-3708	WRENCH 35	1

Fig. 38 Kickstart Arm



Ref	Code	Part Number	Description	Qty
1	08351BM0TC10	07-020-3801	KICK START ARM	1
2	B02050602565	07-020-3802	SCREW 6X25	1