

# **50CC DIAMO® ENGINE**

## **PARTS CATALOG**

*First Edition December 2006*



Copyright © 2004-2006 LS MotorSports, LLC. Reproduction without written permission is completely forbidden.

***The information and diagrams included in this catalog are the exclusive property of LS MotorSports, LLC and may not be reproduced in any media without the express written consent of LS MotorSports, LLC. For more information contact:***

LS MotorSports, LLC  
12505 Reed Rd, Suite 145  
Sugar Land, TX 77478  
281-277-6140

***Information contained in this publication is subject to change without notice.  
For the most up to date information please contact DIAMO USA or an Authorized Dealer***



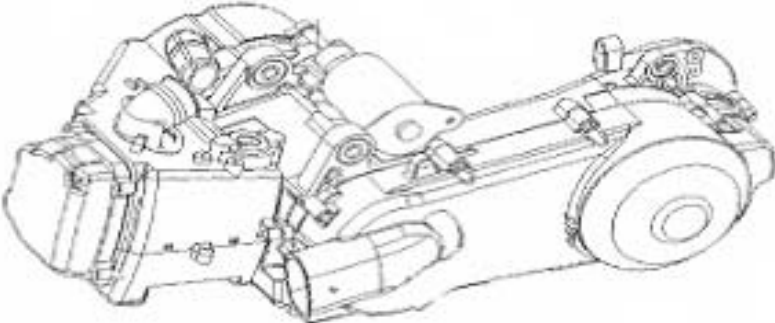
[www.DIAMOUSA.com](http://www.DIAMOUSA.com)

# CONTENTS

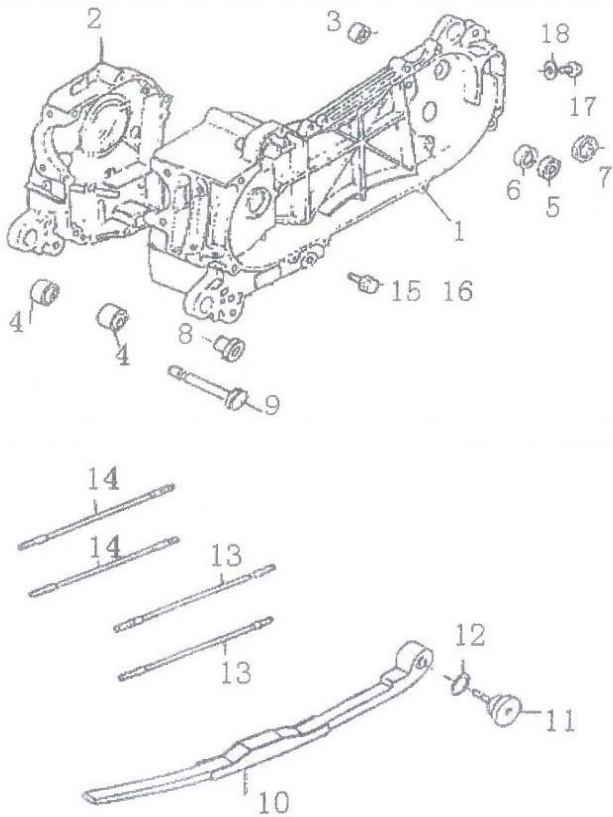
PAGE	TITLE
4	Engine
5	Crankcase
6	LFT Crankcase Cover
7	RGT Crankcase Cover
8	Transmission Cover
9	Cylinder Head
10	Cylinder Head Cover
11	Crankcase Components
12	Oil Pump
13	Starter Motor & Rgt Crankcase Cover Hardware
14	Transmission
15	Camshaft & Cylinder Head Gasket
16	Cylinder & Piston
17	Rocker Arm Assy
18	Clutch
19	Cam Chain Tensioner & Valve Cover Hardware
20	LFT Crankcase Cover Hardware
21	Magneto
22	Engine Cover
23	Carburetor and Intake

Engine Fig. 1

REF #	PART #	CODE	DESCRIPTION	QTY
1	06-050-0101		Engine	1

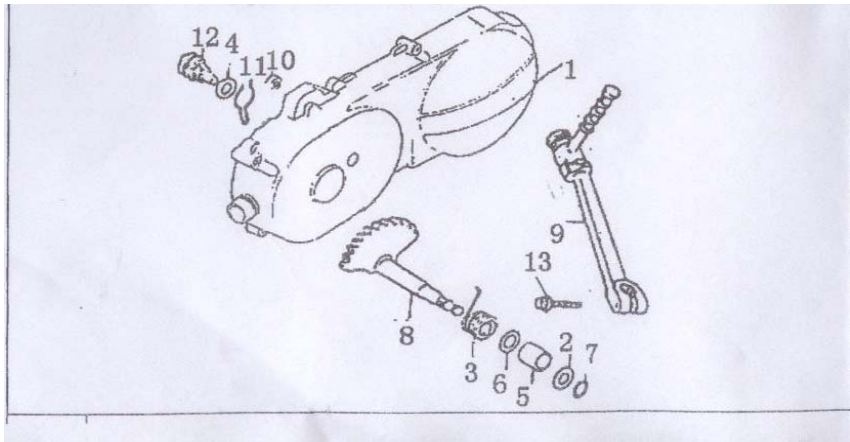


Crankcase Fig. 2



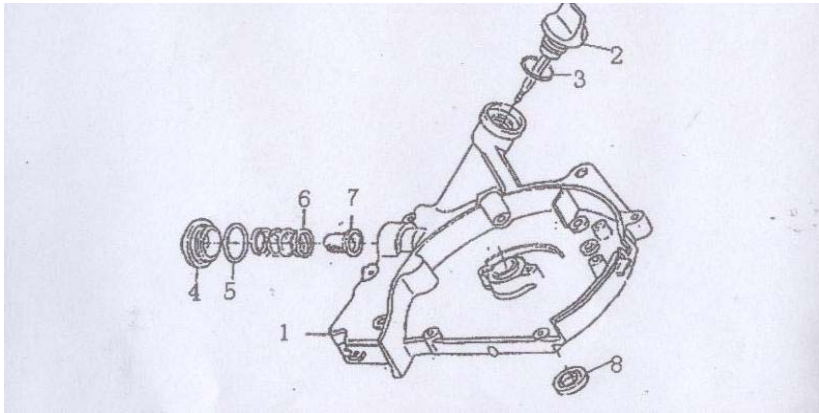
REF #	PART #	CODE	DESCRIPTION	QTY
1	06-050-0201	139QMB.06.01	LFT Crankcase	1
2	06-050-0202	139QMB.06.02	RGT Crankcase	1
3	06-050-0203	152QMI-A101020400	Rear damper	1
4	06-050-0204	152QMI-A101020300	Front damper	2
5	06-050-0205	GB276-94	Bearing 6201	1
6	06-050-0206	GB276-94	Bearing 6203x3-2	1
7	06-050-0207	GB276-94	Bearing 6203	1
8	06-050-0208	139QMB.06-01	Bush	2
9	06-050-0209	139QMB.06-02	Bolt	1
10	06-050-0210	139QMB.03-04	Tensioner Rail, Cam Chain	1
11	06-050-0211	139QMB.03-04	Bolt, Tensioner Lever	1
12	06-050-0212	139QMB.03-03	O Ring 15.5x1.5	1
13	06-050-0213	139QMB.06-03	Stud bolt (long)	2
14	06-050-0214	139QMB.06-06	Stud bolt (short)	2
15	06-050-0215	GB5787-86	Bolt M12x12	1
16	06-050-0216	GB3194-82	Washer12	1
17	06-050-0217	GB5787-86	Washer AM8x12	2
18	06-050-0218	182QMI-A101020011	Bush	2

LFT Crankcase Cover Fig. 3



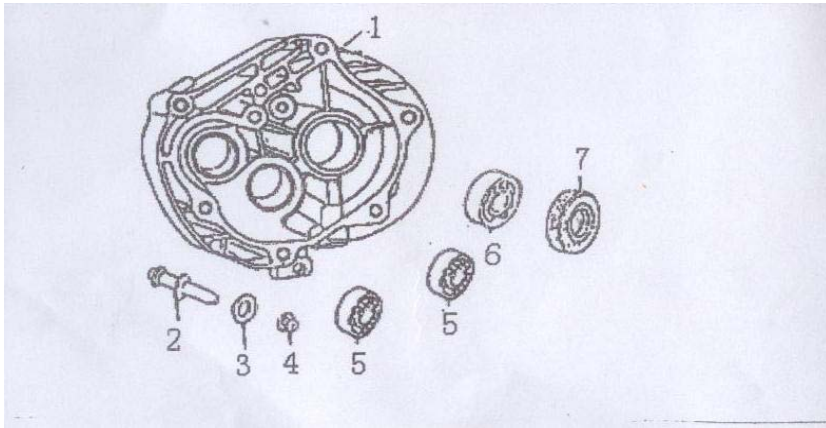
REF #	PART #	CODE	DESCRIPTION	QTY
1	06-050-0301	139QMB.15.01	LFT Crankcase Cover	1
2	06-050-0302	139QMB.15.02	Washer	1
3	06-050-0303	139QMB.15.03	Spring, Kick Lever	1
4	06-050-0304	139QMB.15.04	Washer	1
5	06-050-0305	139QMB.15.05	Collar	1
6	06-050-0306	139QMB.15.06	Damper	1
7	06-050-0307	GB894.1-86	Washer14	1
8	06-050-0308	139QMB.15.03	Sector Gear	1
9	06-050-0309	139QMB.15.04	Start Lever	1
10	06-050-0310	139QMB.06-04	Surpass Shaft Bush	1
11	06-050-0311	139QMB.15-07	Spring	1
12	06-050-0312	139QMB.15.02	Gear, Kickstart	1
13	06-050-0313	GB5787-86	Bolt M6x22	1

Right Crankcase Cover Fig. 4



REF #	PART #	CODE	DESCRIPTION	QTY
1	06-050-0401	139QMB.10.01-01	RGT Crankcase Cover	1
2	06-050-0402	139QMB.10-04	Dipstick	1
3	06-050-0403	139QMB.10-05	O-Ring	1
4	06-050-0404	139QMB.10.01-02	Cover, Oil Filter Screen	1
5	06-050-0405	139QMB.10.01-03	O-Ring	1
6	06-050-0406	139QMB.10.01-04	Spring, Oil Filter Screen	1
7	06-050-0407	139QMB.10.01.01	Oil Filter Screen	1
8	06-050-0408	139QMB.10.01.02	Oil Seal	1

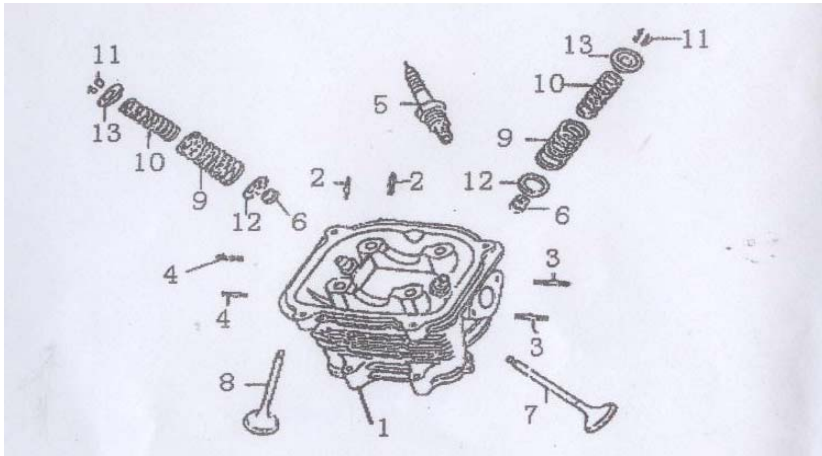
Transmission Cover Fig. 5



REF #	PART #	CODE	DESCRIPTION	QTY
1	06-050-0501	139QM.06-08	Cover, Transmission	1
2	06-050-0502	152QMI-A101020500	Pin, Brake	1
3	06-050-0503	GB3452.1-82	O-Ring	1
4	06-050-0504	GB8187-86	Nut	1
5	06-050-0505	GB276-94	Bearing 6201	1
6	06-050-0506	GB276-94	Bearing 6004-2RS	1
7	06-050-0507	GB9877.1-88	Oil Seal 27x42x7	1

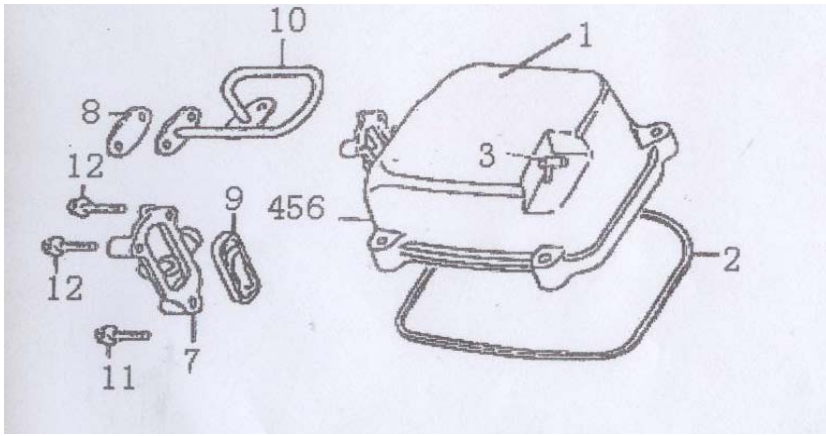


Cylinder Head Fig. 6



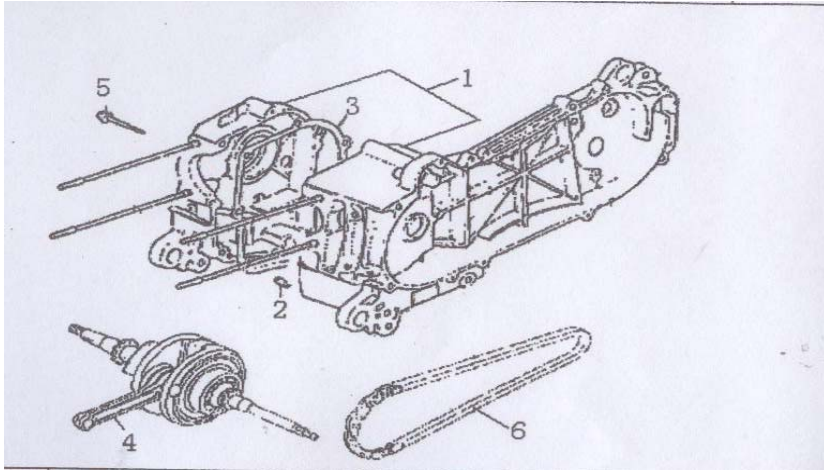
REF #	PART #	CODE	DESCRIPTION	QTY
1	06-050-0601	139QMB.02.04.01	Cylinder Head	1
2	06-050-0602	GB899-88	Stud Bolt M6x26, Intake	2
3	06-050-0603	GB899-88	Stud Bolt M6x63	2
4	06-050-0604	GB899-88	Stud Bolt M6x32, Exhaust	2
5	06-050-0605	A7T	Spark Plug	1
6	06-050-0606	152QMI-A114010200	Oil Seal	2
7	06-050-0607	139QMB.02.04.02	Valve, Intake	1
8	06-050-0608	139QMB.02.04.01	Valve, Exhaust	1
9	06-050-0609	139QMB.02.04.03	Outer Spring, Valve	2
10	06-050-0610	139QMB.02.04.04	Inner Spring, Valve	2
11	06-050-0611	152QMI-A114010004	Cotter, Valve	4
12	06-050-0612	152QMI-A114010008	Seat, Valve Spring	2
13	06-050-0613	152QMI-A114010005	Retainer, Valve Spring	2

Cylinder Head Cover Fig. 7



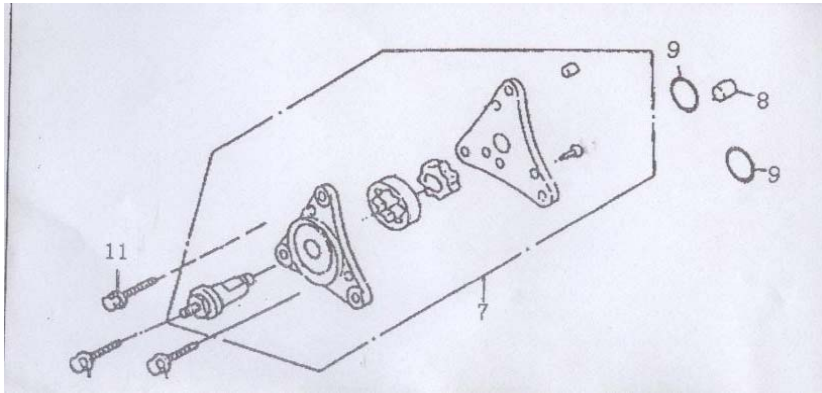
REF #	PART #	CODE	DESCRIPTION	QTY
1	06-050-0701	139QMB.02.01-01	Cover, Cylinder Head	1
2	06-050-0702	139QMB.02-06	Gasket, Cylinder Head Cover	1
3	06-050-0703	139QMB.02.01-02	Tube, Cylinder Head Cover Vent	1
4			NA	
5			NA	
6			NA	
7			NA	
8			NA	
9			NA	
10			NA	
11			NA	
12			NA	

Crankcase Components Fig. 8



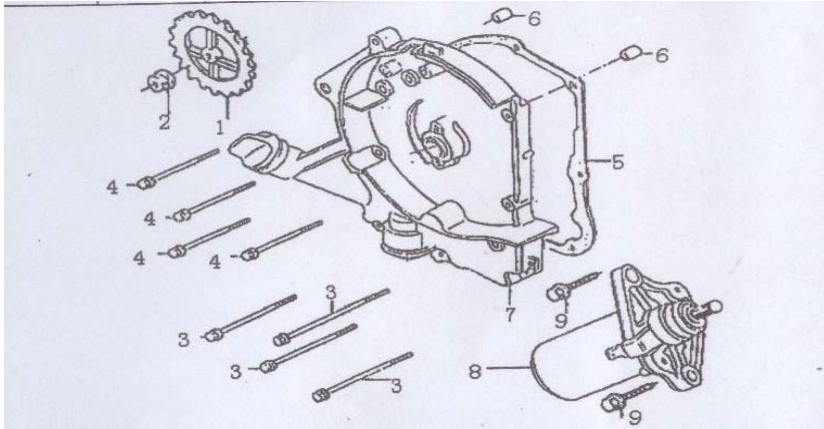
REF #	PART #	CODE	DESCRIPTION	QTY
1			NA - See Fig 2	
2	06-050-0802	139QMB.01-05	Dowel Pin	2
3	06-050-0803	139QMB.06-05	Gasket, L&R Crankcase	1
4	06-050-0804	139QMB.05-02	Crankshaft Assy	1
5	06-050-0805	GB5787-86	Bolt M6x45	1
6	06-050-0806	139QMB.03.03	Chain, Camshaft	1

Oil Pump Fig 9



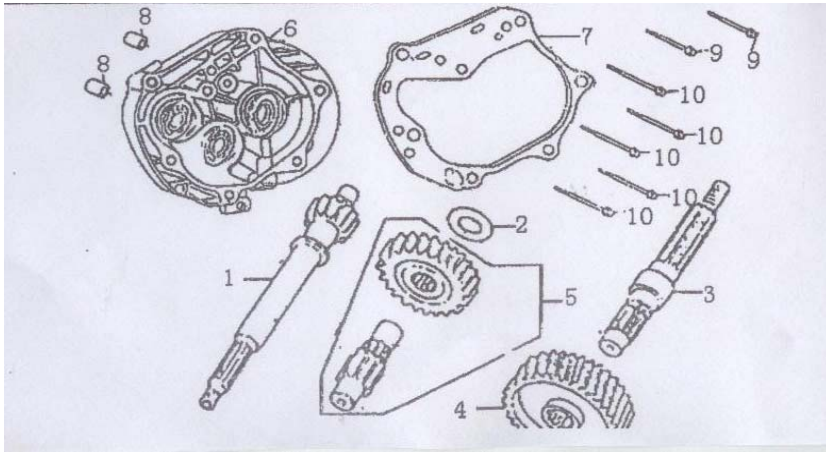
REF #	PART #	CODE	DESCRIPTION	QTY
7	06-050-0901	139QMB.04.02	oil pump assy	1
8	06-050-0902	139QMB.04.01	Dowel Pin	1
9	06-050-0903	139QMB.04-02	O-Ring	2
10	06-050-0904	GB5787-86	Bolt	1
11	06-050-0905	GB5787-86	Bolt	2

Starter Motor & Rgt Crankcase Cover Hardware Fig. 10



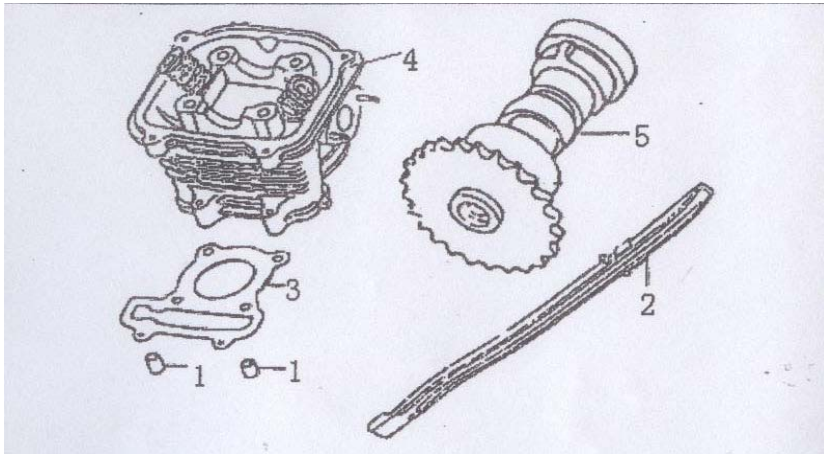
REF #	PART #	CODE	DESCRIPTION	QTY
1	06-050-1001	139QMB.04.01	Gear, Oil Pump	1
2	06-050-1002	GB6177-86	Nut M6	1
3	06-050-1003	139QMB.10-01	Bolt M6	4
4	06-050-1004	139QMB.10-02	Bolt M6x85	4
5	06-050-1005	139QMB.10-03	Gasket, RGT Crankcase Cover	1
6	06-050-1006	139QMB.01-05	Dowel Pin	2
7	06-050-1007	139QMB.10.01	NA - See Fig 4	1
8	06-050-1008	139QMB.17.01	Starter Motor	1
9	06-050-1009	GB5787-86	Bolt	2

Transmission Fig. 11



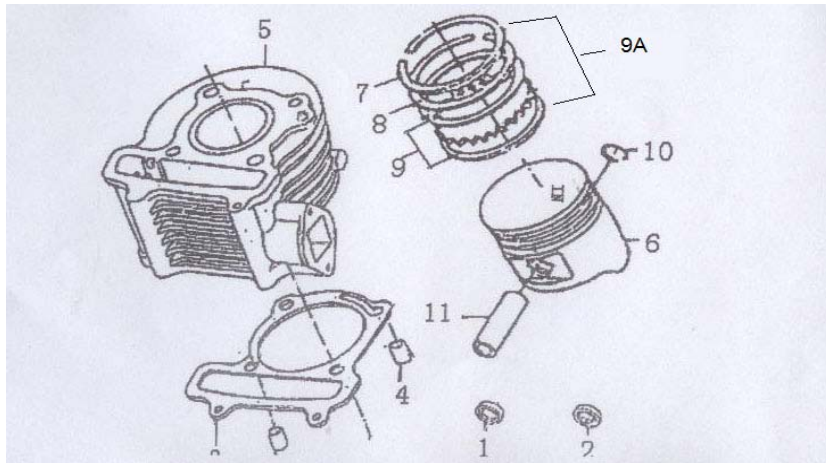
REF #	PART #	CODE	DESCRIPTION	QTY
1	06-050-1101	139QMB.12-02	Drive Axle	1
2	06-050-1102	139QMB.12-03	Gasket	1
3	06-050-1103	139QMB.12-04	Final Drive Axle	1
4	06-050-1104	139QMB.12-05	Counter Gear Set	1
5	06-050-1105	139QMB.12.01	Final Drive Gear	1
6			NA - See Fig. 5	1
7	06-050-1107	139QMB.06-09	Gasket, Transmission Cover	1
8	06-050-1108	139QMB.06-10	Dowel Pin	1
9	06-050-1109	GB5787-86	Bolt	2
10	06-050-1110	GB5787-86	Bolt	2

Camshaft & Cylinder Head Gasket Fig. 12



REF #	PART #	CODE	DESCRIPTION	QTY
1	06-050-1201	139QMB.01-05	Dowel Pin	
2	06-050-1202	139QMB.03.02	Cam Chain Guide	
3	06-050-1203	139QMB.02-02	Gasket, Cylinder Head	
4			NA - See Fig 6	
5	06-050-1205	139QMB.01.01	Camshaft	

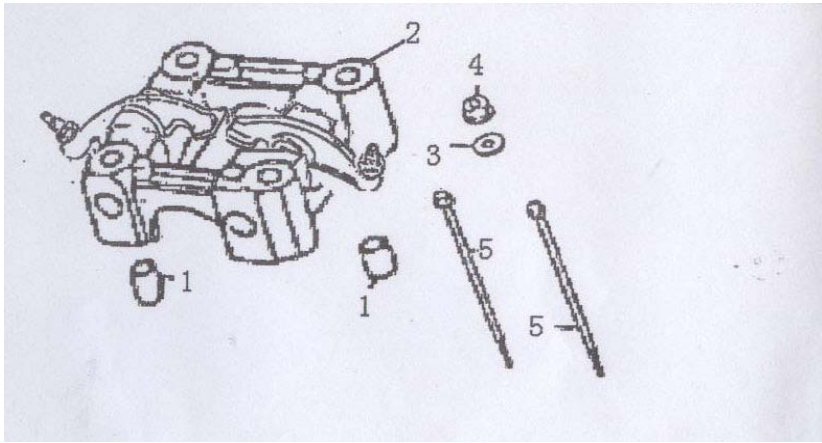
Cylinder & Piston Fig. 13



REF #	PART #	CODE	DESCRIPTION	QTY
1	06-050-1301	139QMB.06-07	Oil seal	1
2	06-050-1302	GB9877.1-88	Oil seal	1
3	06-050-1303	139QMB.03-01	Gasket, Cylinder Base	1
4	06-050-1304	139QMB.01-05	Dowel Pin	2
5	06-050-1305	139QMB.03-01	Cylinder Block	1
6	06-050-1306	139QMB.05-02	Piston	1
7	06-050-1307	139QMB.05-03(04)	Piston Ring 1	1
8	06-050-1308	139QMB.05-03(04)	Piston Ring 2	1
9	06-050-1309	139QMB.05.01	Piston Ring 3	1
9A	06-050-1309A		Piston Ring Set	1
10	06-036-1310	139QMB.05-06	Circlip, Piston Pin	2
11	06-036-1311	139QMB.06-08	Piston pin	1

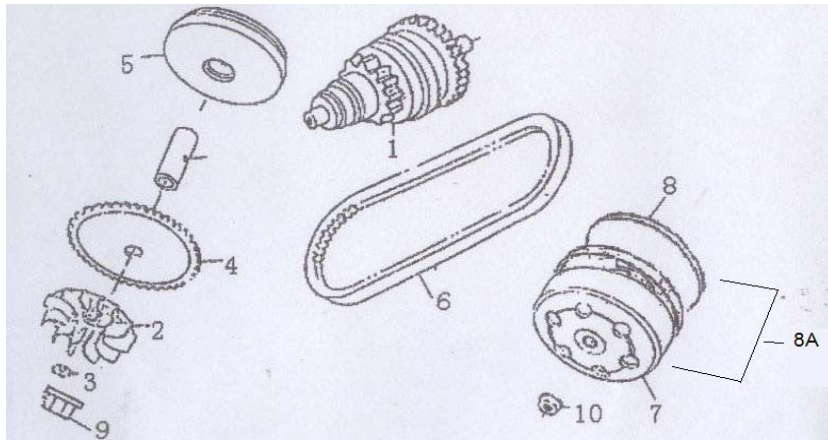


Rocker Arm Assy Fig. 14



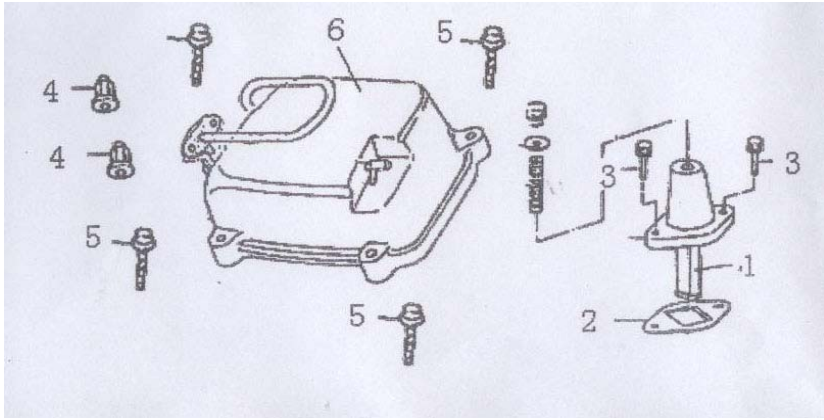
REF #	PART #	CODE	DESCRIPTION	QTY
1	06-050-1401	139QMB.01-05	Dowel pin 8x14	2
2	06-050-1402	139QMB.01-01	Rocker Arm Assy	1
3	06-050-1403	139QMB.01-03	Washer	4
4	06-050-1404	139QMB.01-04	Nut M7	4
5	06-050-1405	GB5787-86	Bolt M6x85	2

Clutch Fig. 15



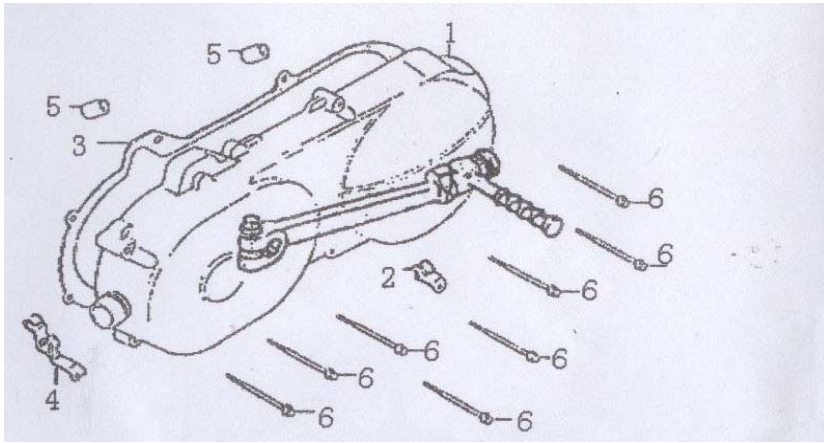
REF #	PART #	CODE	DESCRIPTION	QTY
1	06-050-1501	139QMB.17.02	Starter Clutch	1
2	06-050-1502	139QMB.09-01	Fan	1
3	06-050-1503	139QMB.09-02	Retainer, Fan	1
4	06-050-1504	139QMB.09-03	Gear, Starter	1
5	06-050-1505	139QMB.09.01	Variator Assy	1
6	06-050-1506	139QMB.11.01	Drive Belt	1
7	06-050-1507	139QMB.11.02	Clutch Housing	1
8	06-050-1508	139QMB.11.03	Clutch Driven Assy	1
9	06-050-1509	139QMB.05-08	NutM12x1.25	1
10	06-050-1510	139QMB.12-01	NutM10x1.25	1

Cam Chain Tensioner & Valve Cover Hardware Fig. 16



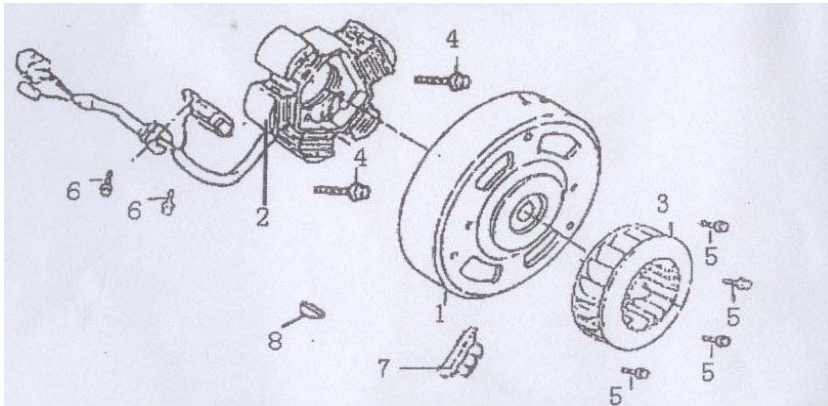
REF #	PART #	CODE	DESCRIPTION
1	06-050-1601	139QMB.03.05	Tensioner, Cam Chain
2	06-050-1602	139QMB.03-02	Gasket, Tensioner
3	06-050-1603	GB5787-86	Bolt M6x16
4	06-050-1604	139QMB.02-11	NutM6x12
5	06-050-1605	GB5787-86	Bolt M6x25
6			NA - See Fig. 7

Left Crankcase Cover Hardware Fig. 17



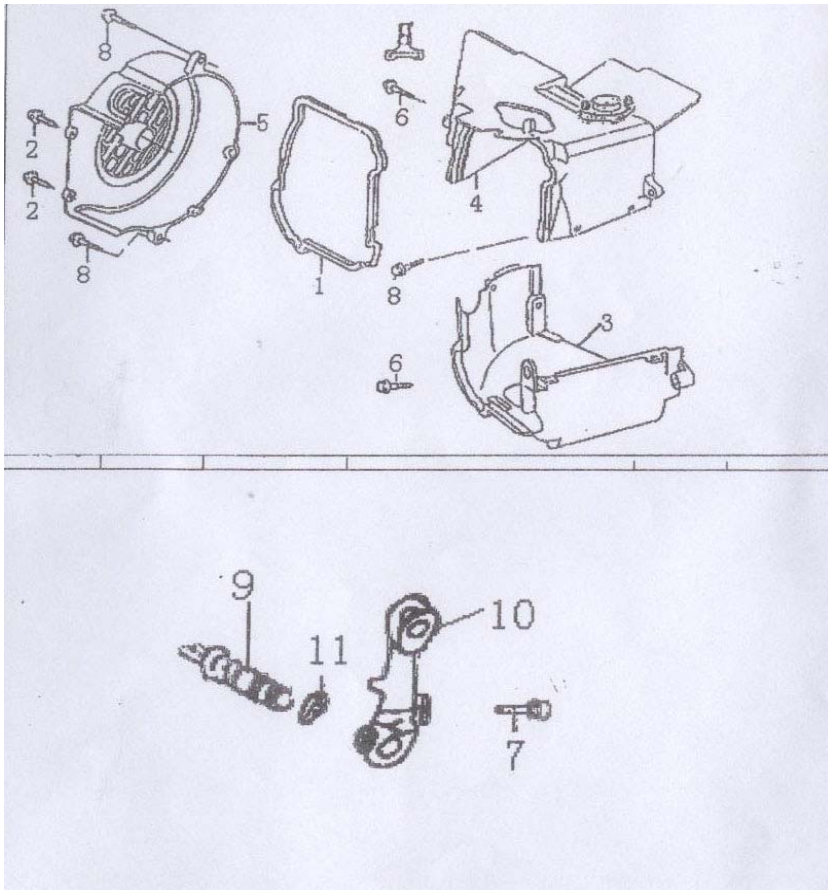
REF #	PART #	CODE	DESCRIPTION	QTY
1			NA - See Fig. 3	1
2	06-050-1702	139QMB.15-08	Collar	1
3	06-050-1703	139QMB.15-09	Gasket, LFT Crankcase	1
4	06-050-1704	139QMB.15.01	Guide Clip	1
5	06-050-1705	139QMB.01-05	Dowel pin	2
6	06-050-1706	GB5787-86	Bolt M6x35	8

Magneto Fig. 18



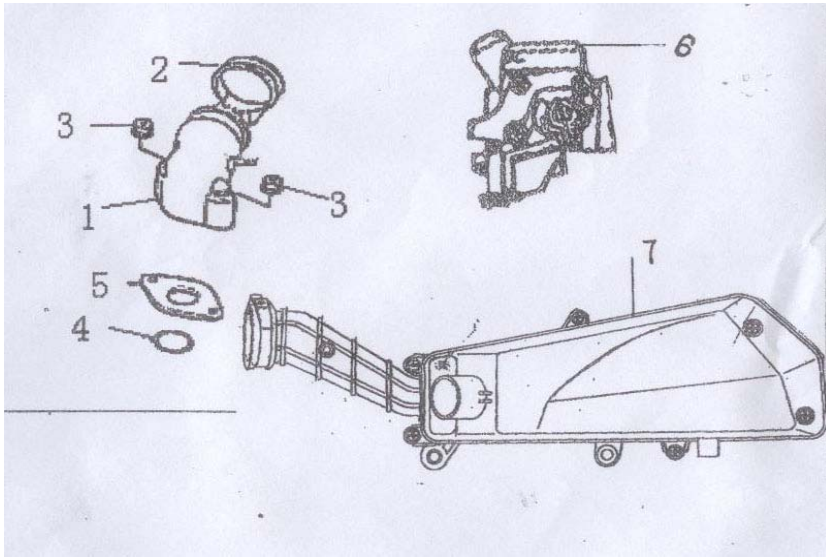
REF #	PART #	CODE	DESCRIPTION	QTY
1	06-050-1801	139QMB.07.01.01	Flywheel, Magneto	1
2	06-050-1802	139QMB.07.01.02	Winding Stator	1
3	06-050-1803	139QMB.16.04	Fan	1
4	06-050-1804	GB5787-86	Bolt M6x16	2
5	06-050-1805	GB5787-86	Bolt M6x18	4
6	06-050-1806	GB5780-86	Flange bolt M5x12	2
7	06-050-1807	139QMB.05-01	Nut M10x1.25	1
8	06-050-1808	139QMB.05-07	Woodruff key	1

Engine Cover Fig. 19



REF #	PART #	CODE	DESCRIPTION	QTY
1	06-050-1901	139QMB.16-01	Seal	1
2	06-050-1902	139QMB.16-02	Bolt	2
3	06-050-1903	139QMB.16.01	Front Cover	1
4	06-050-1904	139QMB.16.02	Rear Cover	2
5	06-050-1905	139QMB.16.03	Fan Cover	1
6	06-050-1906	GB5787-86	Bolt M6x16	2
7	06-050-1907	GB5787-86	Bolt M6x32	1
8	06-050-1908	GB5787-86	Bolt M6x25	3
9	06-050-1909	139QMB.18-01	Brake Camshaft	1
10	06-050-1910	139QMB.18.01	Brake Arm	1
11	06-050-1911	139QMB.18.02	O-Ring	2

Carburetor and Intake Fig. 20



REF #	PART #	CODE	DESCRIPTION	QTY
1	06-050-2001	139QMB.02.05	Intake Manifold	1
2	06-050-2002	139QMB.02.06	Clamp	1
3	06-050-2003	GB6177-86	Nut M6	2
4	06-050-2004	139QMB.02-08	O-Ring	1
5	06-050-2005	139QMB.02-09	Insulator, Intake	1
6	06-050-2006	PT18J	Carburetor	1
7			NA - See Specific Unit	1