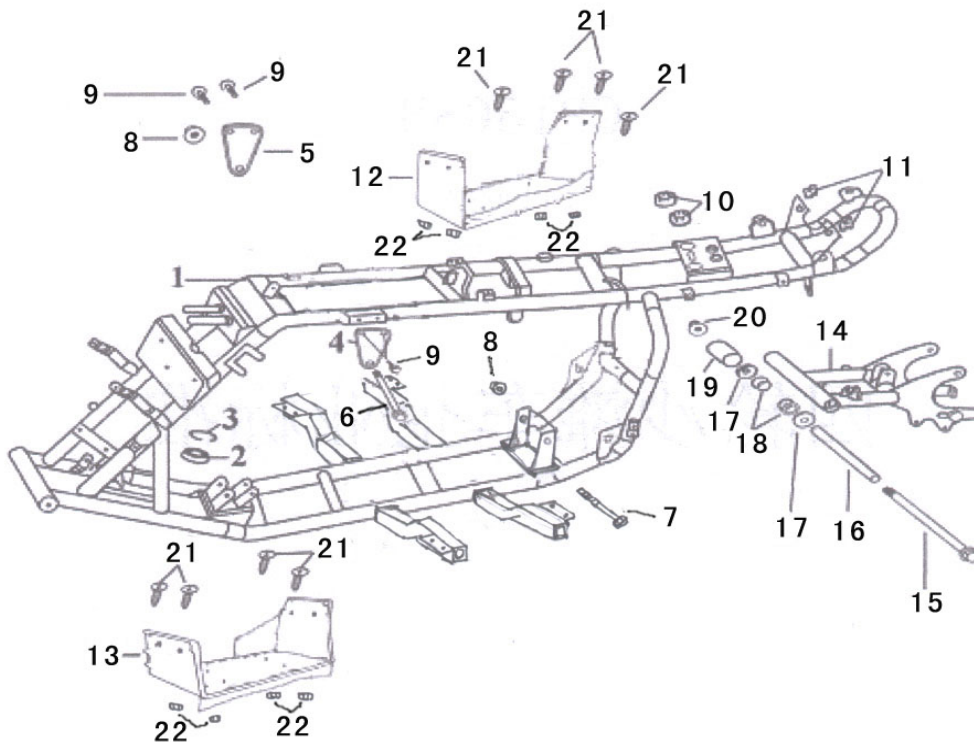
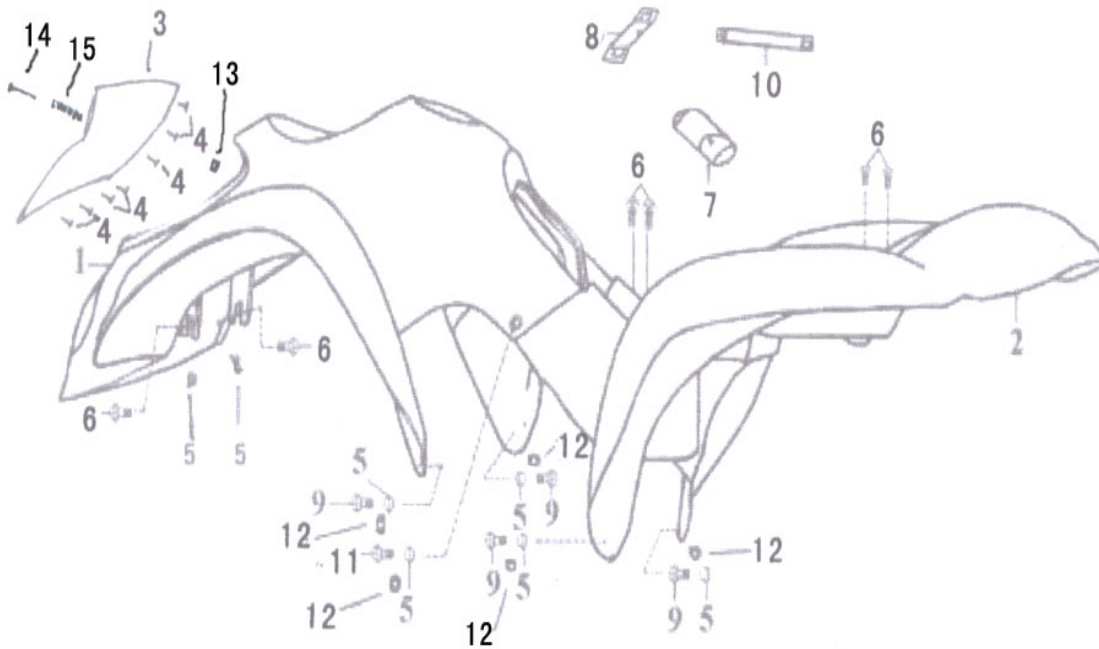


# BULLET 90 FRAME PARTS BOOK

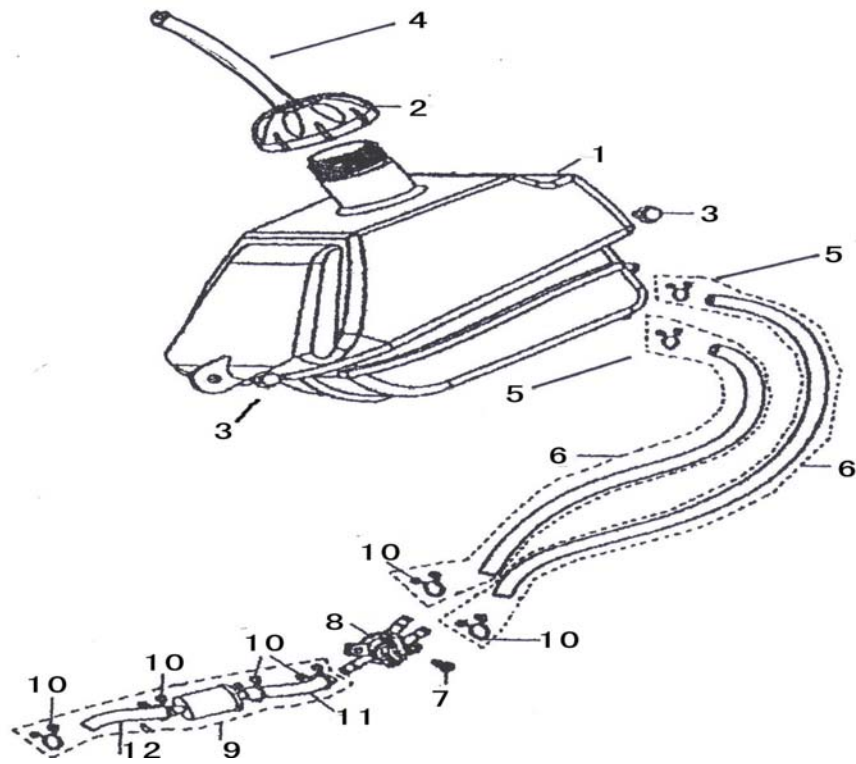
F1 FRAME BODY			
ITEM	PARTS NO.	DESCRIPTION	REQD.NO.
1	S2B03010000	FRAME COMP.	1
2	GB/T281-94	BALL BEARING	1
3	GB893.2	C CLIP	1
4	S2B03010050	ENGINE ASSEMBLING BRACKET LEFT	1
5	S2B03010060	ENGINE ASSEMBLING BRACKET RIGHT	1
6	S-5800-08128-02	FLANGE BOLT,8*128	1
7	S-5800-08100-02	FLANGE BOLT,8*100	1
8	S-4051-08000-03	FLANGE U UNT	2
9	S-5800-08012-02	FLANGE BOLT8*12	4
10	B11-42146-00-00	RUBBER	2
11	B11-42158-00-00	DAMPER	2
12	F03-63421-10-00	FOOTWELL,2	1
13	F02-63411-10-00	FOOTWELL,1	1
14	S2B06041000	REAR FORK COMP	1
15	B11-48161-00-00	REAR FORK SET BOLT	1
16	B11-48151-00-00	REAR FORK SPACER SLEEVE	1
17	B11-48165-00-00	REAR FORK SEAL COVER	2
18	B11-48155-00-00	BUSHING CONTAIN OIL	2
19	B11-48175-00-00	RUBBER SLEEVE	1
20	S-4061-14000-01	FLANE U NUT 14MM	1
21	S-3530-06016-07	PAN HEAD SCREW 6*16	8
22	S-4051-06000-07	FLANGE NUT 6MM	8



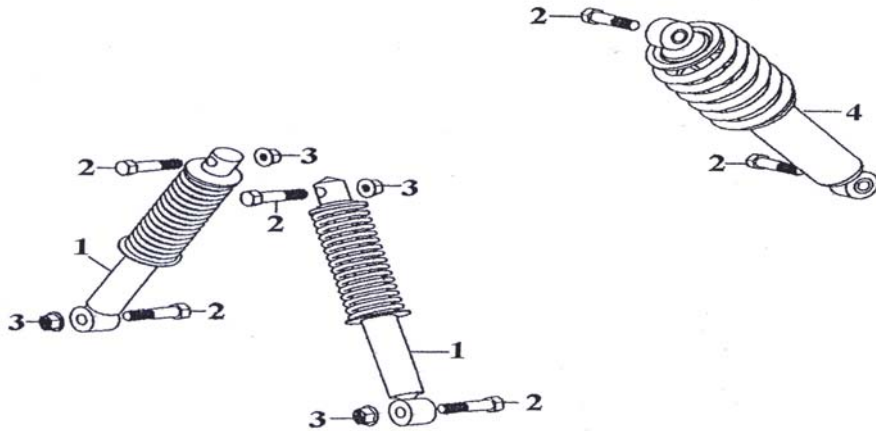
F2 SIDE COVER			
ITEM	PARTS NO.	ENGLISH	REQD.NO.
1	T36-63511-0R-00	FRONT FENDER	1
2	T36-63521-0R-00	REAR FENDER	1
3	T36-25122-00-00	SHEEL COVERING	1
4	S-3910-48016-04	SCREW ST4.8*16	7
5	S-4051-06000-07	FLANGE NUT 6MM	12
6	S-3891-06016-07	SCREWM 6*16	6
7	F01-71110-00-00	TOOL KIT	1
8	B11-23436-00-00	BAND BATTERY	1
9	S-3530-06016-07	SCREW M6*16	8
10	B11-71113-00-00	BAND TOOLS	1
11	S-3530-06016-07	SCREWM 6*16	2
12	S-4101-06207-00	WASHET RUBBER	10
13	S-4001-05000-01	HEX.NUT M5	1
14	S-6000-05050-07	SCREW M5*50	1
15	S2B160110000	RECOIL	1



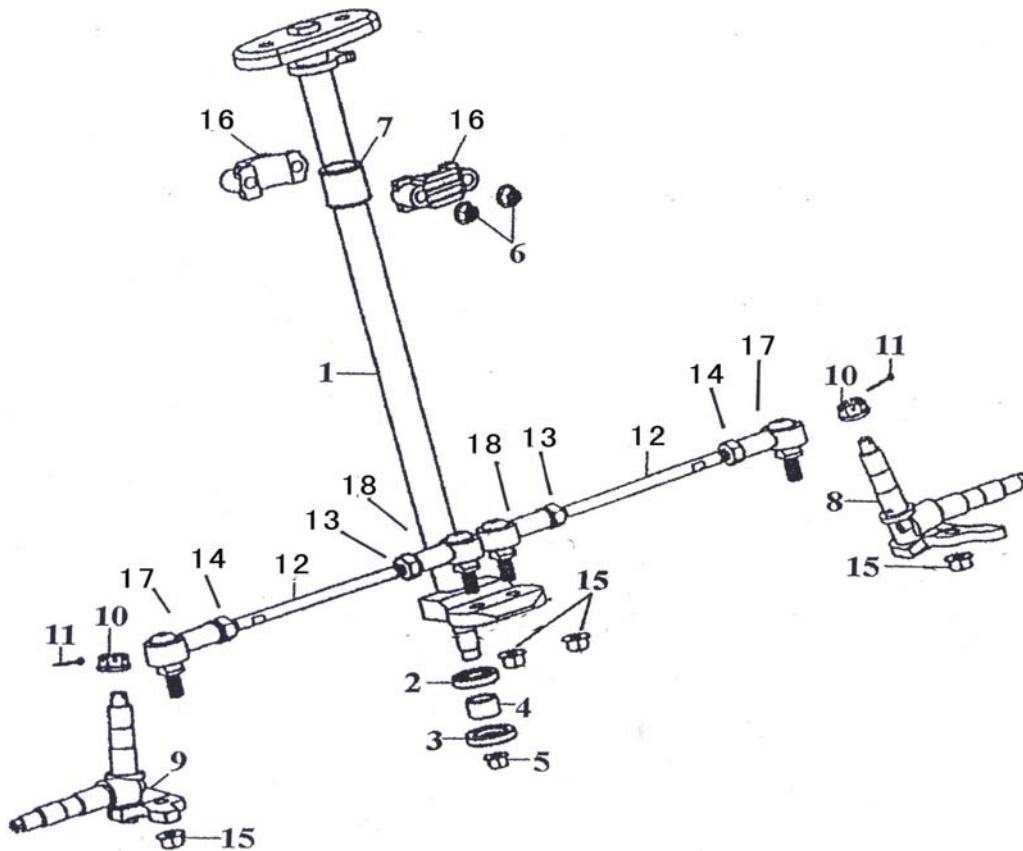
F3 SUSPENSION			
ITEM	PARTS NO.	ENGLISH	REQD.NO.
1	B11-52110-00-00	FUEL TANK COMP.	1
2	B11-52211-10-00	FUEL TANK CAP COMP.	1
3	S-3891-06016-01	SCREW M6*16	2
4	B11-52374-00-00	FUFL HSE 4.5*8.5*150	1
5	A-4201-12900-00	C LIP 10MM	2
6	S2B11060010	FUEL HOSE	2
7	S-3500-06010-07	SCREW M6*10	1
8	B11-52310-00-00	FUEL COCK ASSY	1
9	T01-52410-00-00	FUEL FILTER ASSY	1
10	A-4201-12700-00	CLIP 8MM	6
11	B11-52372-00-00	FUEL HOSE 4.5*8.5*80	1
12	B11-52373-20-00	FUEL HOSE 4.5*8.5*180	1



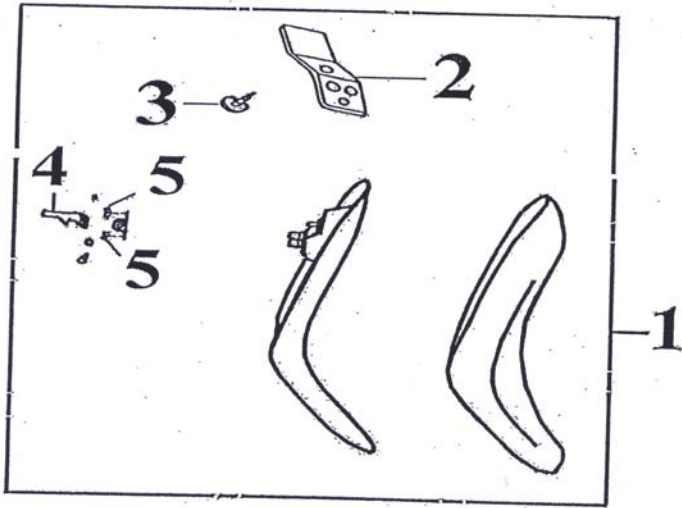
F4 SUSPENSION			
ITEM	PARTS NO.	ENGLISH	REQD.NO.
1	B11-47210-00-00	FR.SHOCK ABSORBER ASSY.	2
2	S-5821-10040-07	BOLT W/HOLE M10*1.25*40	6
3	S-4061-10125-07	FLANGE U NUT M10*1.25	4
4	B11-48210-00-00	RR.SHOCK ABSORBER ASSY.	1



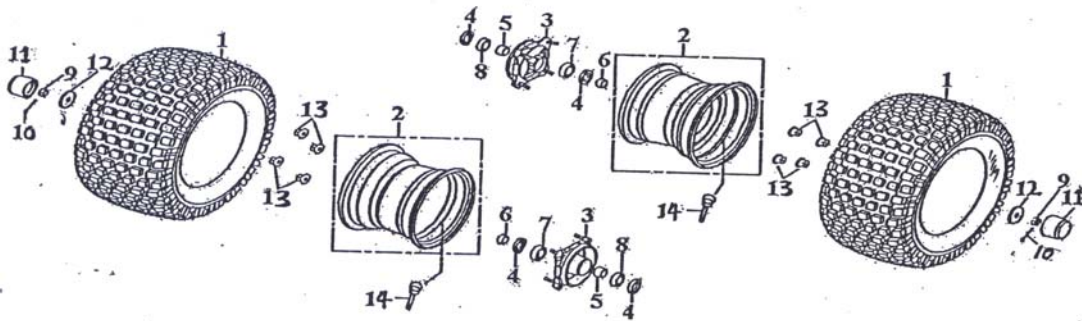
F5 STEERING			
ITEM	PARTS NO.	ENGLISH	REQD.NO.
1	B11-62140-00-00	SHAFT STEERING	1
2	S-1201-18035-70	OIL SEAL 18*35*7	1
3	S1201-22035-70	OIL SEAL 22*35*7	1
4	SOA-45446-00-00	COLLAR	1
5	S-4061-14150-01	FLANGE U NUT M14*1.5	1
6	S-4051-0800-01	FLANGE NUT M 8	2
7	B11-62158-00-00	SLEEVE	1
8	B11-62144-00-00	L. KNUCKLE,	1
9	B11-62154-00-00	R. KNUCKLE	1
10	B11-62168-00-00	NUT M10*1.25	2
11	S-4201-16240-01	SPLIT PIN 1.6*24	2
12	B11-62153-00-00	STEERING TIE.ROD.	2
13	S-4011-10125-11	NUT M10*1.25	2
14	S-4011-10125-01	NUT M10*1.25	2
15	S-4061-10125-07	FLANGE U NUT M10*1.25	4
16	B11-62146-00-00	HOLDER , STEERING SHAFT	2
17	B11-62145-00-00	REDIRELTOR A	2
18	B11-62155-00-00	REDIRELTOR B	2



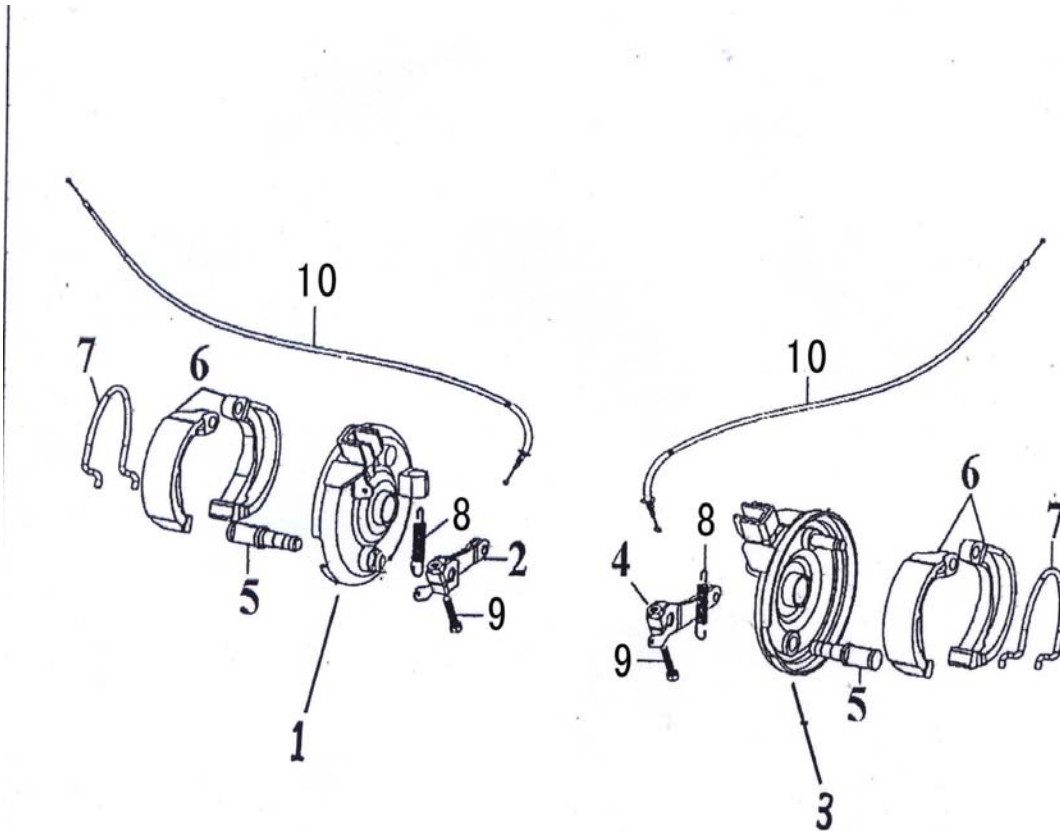
F6 SEAT ASSY			
ITEM	PARTS NO.	ENGLISH	REQD.NO.
1	S2B13010000	DOUBLE SEAT ASSY.	1



F7 FRONT WHEEL			
ITEM	PARTS NO.	ENGLISH	REQD.NO.
1	B11-43311-00-00	TIRE 16*8-7	
	B12-43311-00-00	TIRE 18*9.5-8	2
2	B11-43210-00-00	WHEEL COMP. 7*5.2	
	B12-43210-00-00	FRONT WHEEL COMP	2
3	B11-45442-20-00	FRONT BRAKE DROM	2
4	S-1201-22035-70	OIL SEAL 22*35*7	4
5	B11-45457-00-00	COLLAR	2
6	B11-45456-00-00	COLLAR	2
7	S-6120-06002-40	BALL BEARING 6002-2RS	2
8	S-6120-06003-40	BALL BEARING 6003-2RS	2
9	B11-43266-00-00	CASTLE NUT M14*1.5	2
10	S-4201-32350-01	SPLIT PIN 3.2*35	2
11	B11-43268-00-00	ROBBER CAP	2
12	B11-43256-00-00	WASHER	2
13	S-5820-10016-07	FLANGE BOLT M10*1.25*16	8
14	B11-43322-00-00	RIM VALVE	2

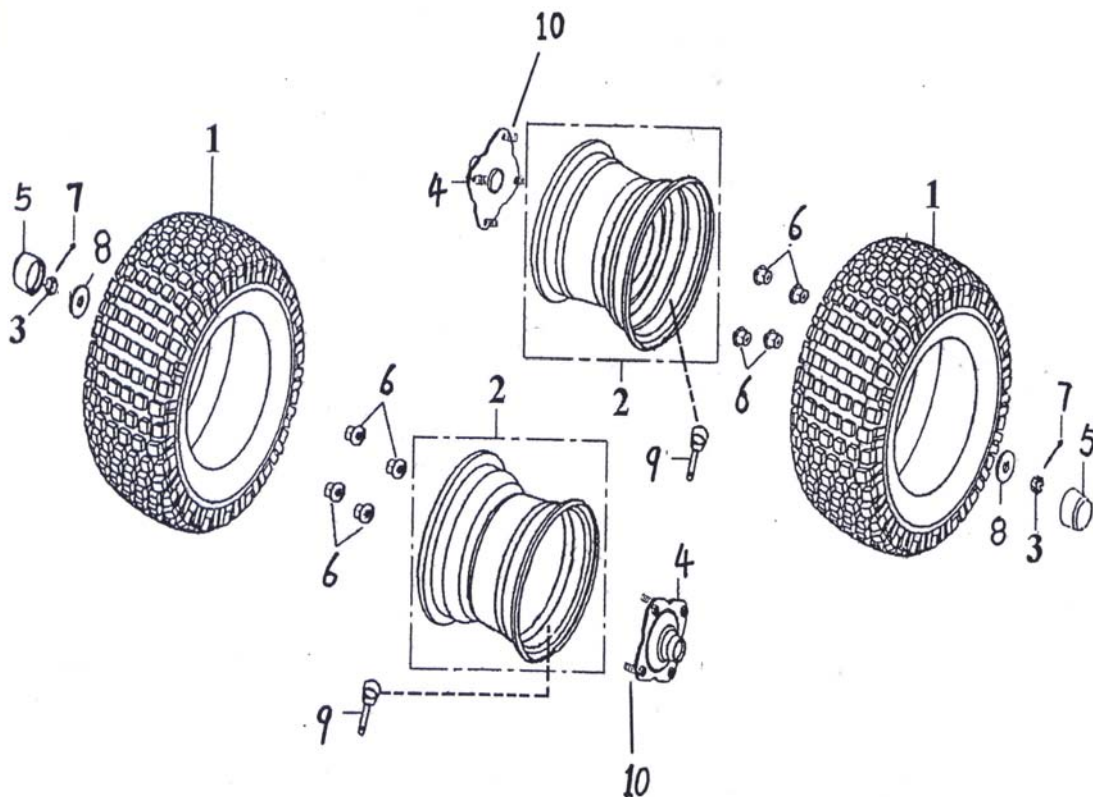


F8 FRONT WHEEL			
ITEM	PARTS NO.	ENGLISH	REQD.NO.
1	B11-45450-00-00	R. FRONT BRAKE PANEL COMP	1
2	B11-45612-00-00	CAM SHAFT LEVER,RIGHT	1
3	B11-45440-00-00	L. FRONT BRAKE PANEL COMP.	1
4	B11-45611-00-00	CAM SHAFT LEVER,LEFT	1
5	B11-45621-00-00	FRONT CAM SHAFT	2
6	B11-45420-00-00	FRONT BRAKE SHOE KIT	4
7	B11-45461-00-00	FRONT SPRING	2
8	B11-45635-00-00	TENSION SPRING	2
9	S-6000-05025-07	FLANGE BOLT M5*25	2
10	B11-58111-00-00	FRONT BRAKE CABLE	2

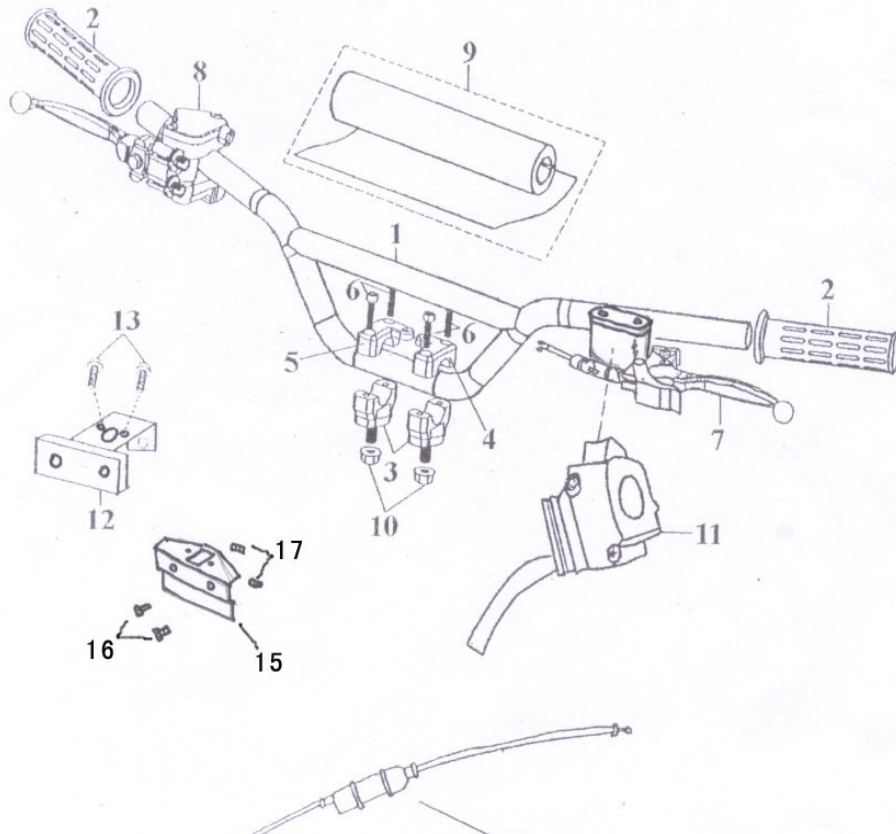




F9 REAR WHEEL			
ITEM	PARTS NO.	ENGLISH	REQD.NO.
1	B11-43311-00-00	TIRE 16*8-7	2
	B12-44311-00-00	TIRE 19*7-8	
2	B11-43210-00-00	WHEEL COMP. 7*5.2	2
	B12-44210-00-00	WHEEL COMP.	
3	B11-44266-00-00	CASTLE NUT M18*1.5	2
4	B11-44223-10-00	REAR WHEEL CONNECTER	2
5	B11-43268-00-00	ROBBER CAP	2
6	S-4061-10125-07	FLANGE NUT M10*1.25	8
7	S-4201-22305-03	SPLIT PIN 3.2*35	2
8	B11-44256-00-00	WASHER 18MM	2
9	B11-43322-00-00	RIM VALVE	2
10	S-5820-10030-07	FLANGE BOLT M10*1.25*30	8

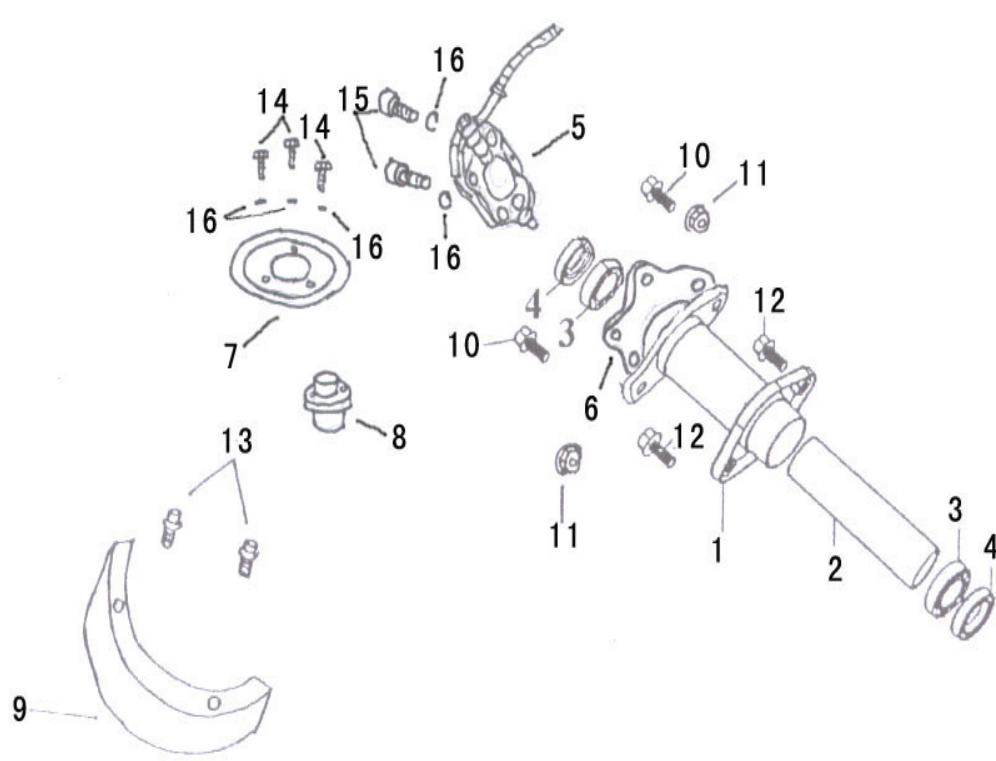


F10 HANDLE BAR			
ITEM	PARTS NO.	ENGLISH	REQD.NO.
1	B11-62110-00-00	HANDLE COMP.	1
2	B11-62251-00-00	GRIP	2
3	B11-62222-00-00	HANDLE HOLDER ASSY.	2
4	B11-62225-00-00	HANDLE HOLDER COVER,1	1
5	B11-62235-00-00	HANDLE HOLDER COVER,2	1
6	S-6700-06025-07	SOCKET BOLT M6*25	4
7	S3A08033000	BRACK CLIPET	1
8	F01-27850-00-00	LEVEL ASSY.RIGHT	1
9	B11-62275-00-00	HANDLE BAR PROTECT FOAM	1
10	S-4061-10125-07	FLANGE U NUT M10	2
11	S2B15011000	LEFT HANDLE SWITCH ASSY.	1
12	S2B09010040	HANDLE COVER STAY	1
13	S-6000-06010-07	FLANGE BOLT M6*10	2
14	S2B09021000	CASLE ASSY THROTTLE	1
15	S2B09010050	GEAR SHIFT INDIATM BRACKET	1
16	S-6000-06012-07	FLANGE BOLT M6*12	2
17	S-4051-06000-07	FLANGE NUT 6MM	2

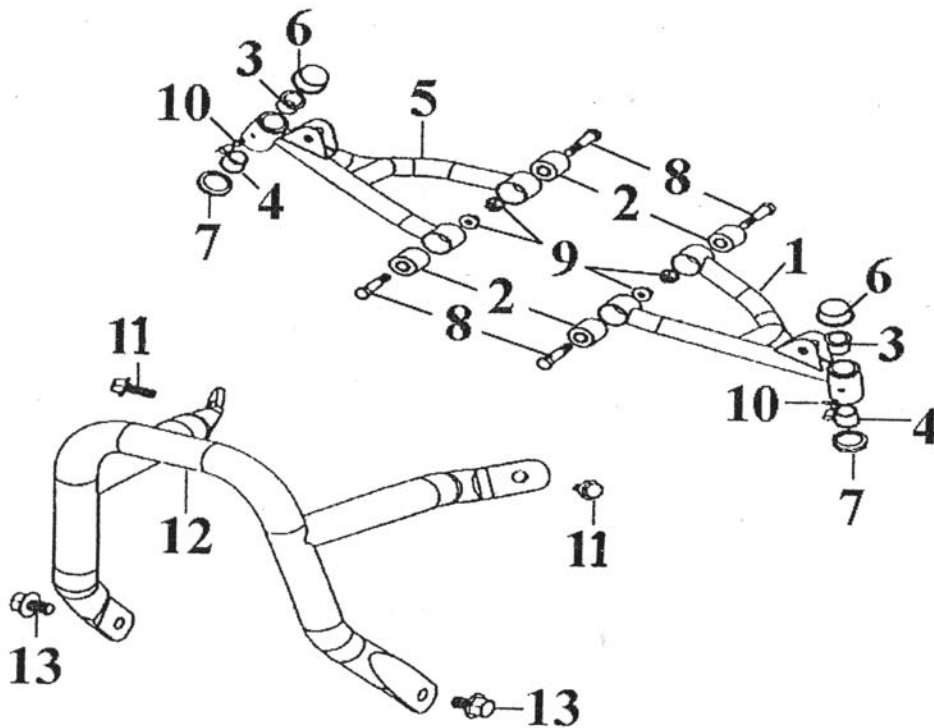




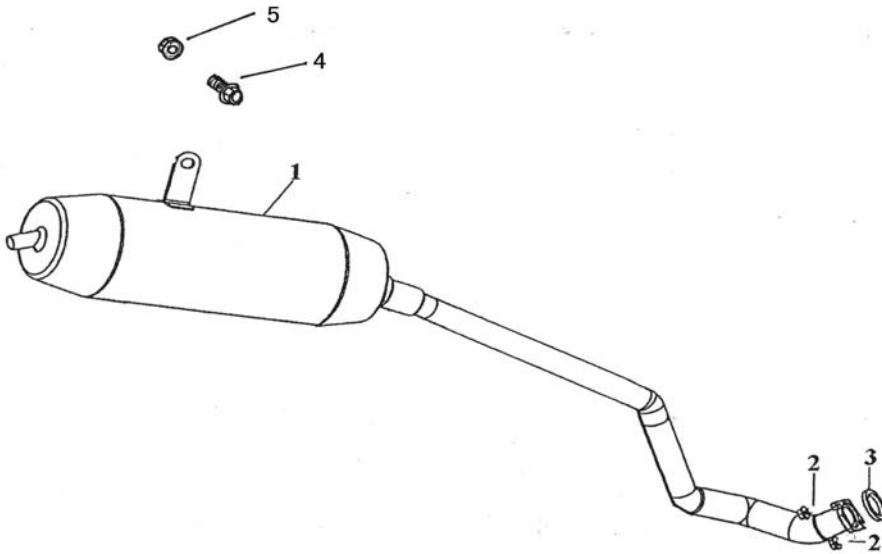
F11 REAR BRAKE			
ITEM	PARTS NO.	ENGLISH	REQD.NO.
1	B11-44521-00-00	REAR WHEEL AXLE SEAT	1
2	B11-44522-00-00	SPACER TUBE	1
3	S-6120-06006-40	BALL BEARING 6006	2
4	S-1201-35055-11	OIL SEAL 35*55*11	2
5	S3A08033000	BRACK CLIPET	1
6	S3A08035010	BRACK DISK ASSEMBLIG BRACKET	1
7	S3A08034000	BRACK DISC	1
8	S3A08034010	BRACK DISK ASSEMBLIG PLATE	1
9	S2B10040000	JOINTING COMP	1
10	S-2000-12050-01	HEX.BOLT M12*1.25*50	2
11	S-4061-12125-01	FLANGE U NUT M12*1.25	2
12	S-5820-12030-01	FLANGE BOLT M12*1.25*30	2
13	S-5800-08012-07	FLANGE BOLT M8*12	2
14	S-2000-08020-02	HEX BOLT M8*20	3
15	S-6700-08025-07	SOCKET BOLT M8*25	2
16	GB/T93	SPRING WASHER	5



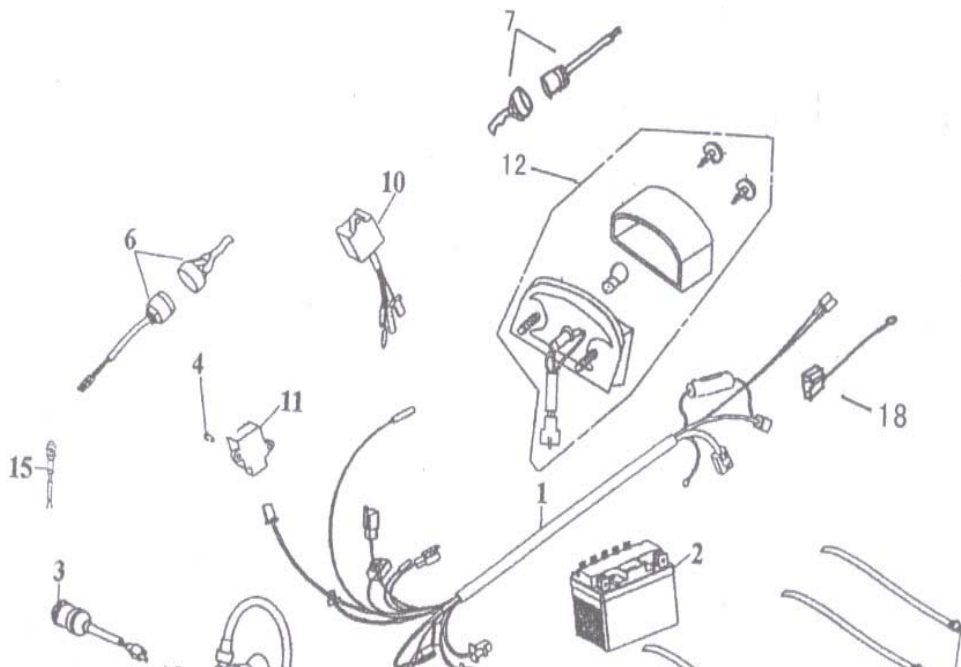
F12 SWING ARM/FOOTREST/FEND BAR			
ITEM	PARTS NO.	ENGLISH	REQD.NO.
1	B11-47311-10-00	FRONT SWING ARM,1	1
2	B11-47339-00-00	BUSH	4
3	B11-47357-10-00	BUSH CONTAIN OIL,1	2
4	B11-47358-10-00	BUSH CONTAIN OIL,2	2
5	B11-47321-10-00	FRONT SWING ARM,2	1
6	B11-47329-00-00	WATER PROOF COVER	2
7	B11-47336-00-00	DUST SEAT	2
8	S-5801-10050-07	FLANGE BOLT M10*1.25*50	4
9	S-4061-10125-07	FLANGE U NUT M10*1.25	4
10	B11-47367-00-00	GREASE VALVE ASSY	2
11	S-6000-06016-07	FLANGE BOLT M6*16	2
12	S2B03080000	FOOT REST ASSY.	1
13	S-5800-08012-07	FLANGE BOLT M8*12	2

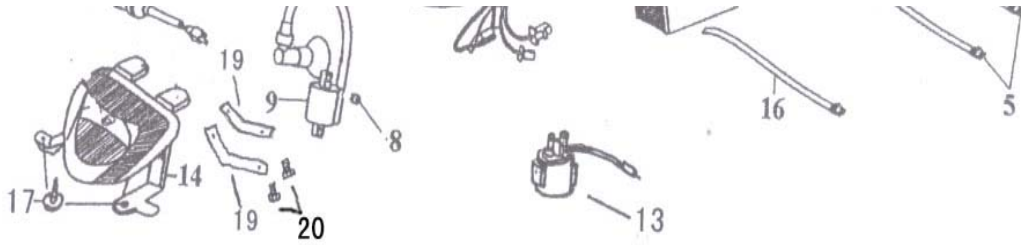


F13 MUFFLER ASSY.			
ITEM	PARTS NO.	ENGLISH	REQD.NO.
1	S2B02011000	EXHAUST PIPE ASSY.	1
2	S-4001-06000-01	HEX.NUT M6	2
3	T01-18131-00-00	EXHAUST PIPE GASKET	1
4	S-5820-10020-07	FLANGE BOLT M10*1.25*20	1
5	S-4061-10125-07	FLANGE U NUT M10*1.25	1

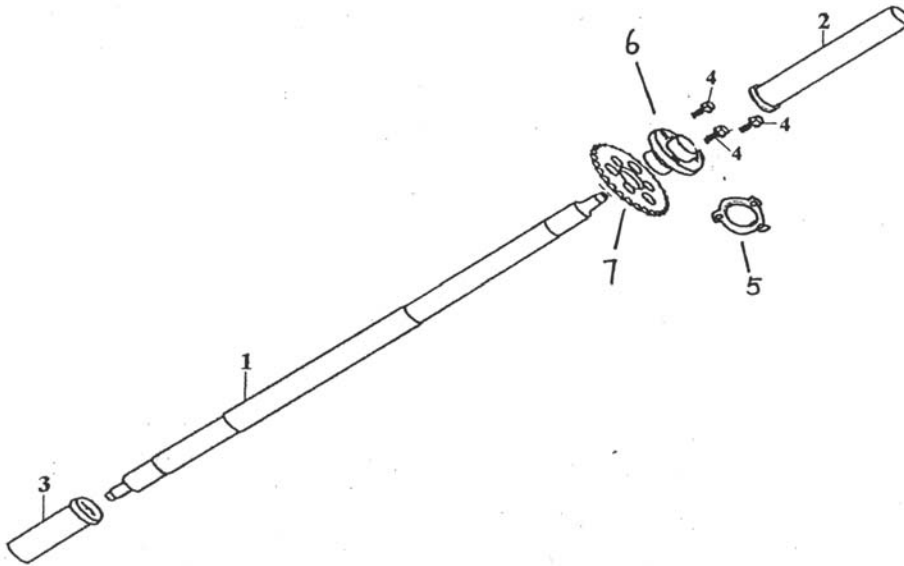


F14 ELECTRICAL PARTS			
ITEM	PARTS NO.	ENGLISH	REQD.NO.
1	S2B15051000	WIRE HARNESS ASSY	1
2	F01-23410-00-00	BATTERY ASSY.	1
3	B11-56210-00-00	MAIN SWITCH ASSY.	1
4	S-6000-06016-07	FLANGE BOLT M6*16	1
5	A-4402-03001-01	BAND 300MM	2
6	B11-56212-00-00	SAFFTY SWITCH	1
7	B11-56213-00-00	BACK SAFFTY SWITCH	1
8	S-4051-06000-07	FLANGE NUT 6MM	1
9	61E-23140-10-00	INGNITION COIL ASSY.	1
10	61B-23110-00-00	C.D.I.ASSY.	1
11	61A-21310-00-00	REG.REC.COMP.	1
12	B11-25400-00-00	TAIL LIGHT ASSY	1
13	61A-28310-00-00	RELAY STARIER	1
14	TYC90-1059	SHEEL ASSY.	1
15	S2B17011000	GEAR SHIFT INDIATM	1
16	A-4404-02001-01	BAND 200MM	4
17	S-3910-48016-04	SCREW ST4.8*16	2
18	S2B15054000	WIRE STARTER	1
19	T36-25176-00-00	SHEEL BRACKET	2
19	S-6000-05010-07	PAN HEAD SCREW 5*10	2

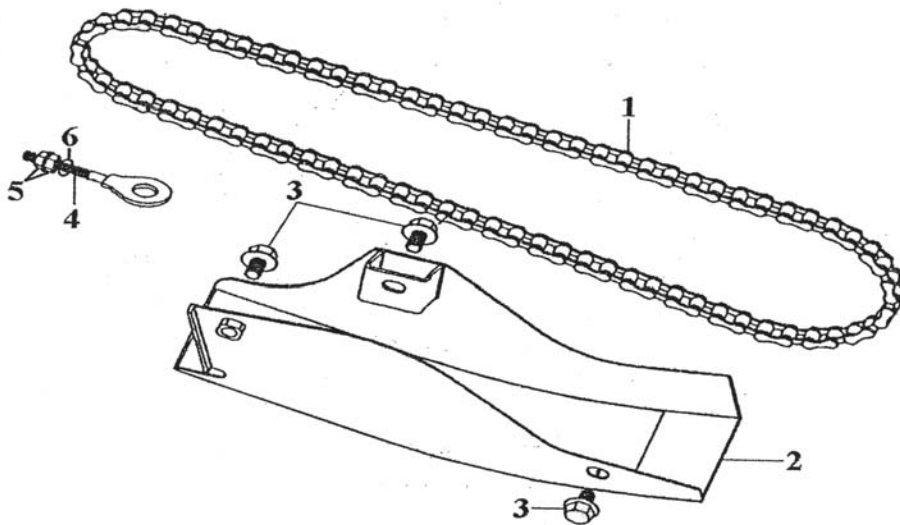




F15 REAR WHEEL AXLE			
ITEM	PARTS NO.	ENGLISH	REQD.NO.
1	B11-44511-10-00	REAR WHEEL AXLE	1
2	B11-44523-00-00	LONG SPACER PIPE	1
3	B11-44533-00-00	SHORT SPACER PIPE	1
4	S-2000-08020-02	HEX BOLT M8*20	3
5	B11-16953-00-00	WASHER	1
6	B11-16951-00-00	SEAT SPROCKET	1
7	SOB10020030	SPROCKET 34T	
8	B12-16952-00-00	SPROCKET 28T	1



F16 CHAIN			
ITEM	PARTS NO.	ENGLISH	REQD.NO.
			ATV90
1	S0B10010000	DRIVE CHAIN 428*88	
	S2B10010000	DRIVE CHAIN 428*86	1
2	S2B10050000	CHAIN CASE	1
3	S-5800-08012-07	FLANGE BOLT M8*12	3
4	B11-46471-00-00	CHAIN ADJUSTER ASSY,1	1
5	S-4001-06000-01	HEX.NUT M6	2
6	S-4101-06131-01	WASHER 6MM	1





F17 ENGINE			
ITEM	PARTS NO.	ENGLISH	REQD.NO.
1	SOB01000000	ENGINE	
	S2B01000000	ENGINE	1
2	S2B01145000	AIR CLEANER ASSY.	1
3	S0B01123000	CARBURETOR ASSY.	
	S2B01123010	CARBURETOR ASSY.	1
4	S0B01033000	FEED IN AIR TUBE 50cc	
	S2B01033010	FEED IN AIR TUBE 90cc	1
5	S2B01095000	GEAR CHANGE MECHANISM	1
6	S-2000-06030-05	HEX.BOLT6*30	2
7	S-2000-06025-05	HEX.BOLT6*25	2
8	S-2000-06020-05	HEX.BOLT6*20	1
9	S0B01092010	SPROCKET 428*11T	
	S2B01092020	SPROCKET 428*14T	1
10	S-6000-06012-07	FLANGE BOLT M6*12	1
11	S2B01033030	GASKET INTAKE PIPE	1
12	S2B01033020	GASKET INTAKE	1
13	S2B01033040	PAPER GASKET INTAKE PIPE	1
14	S2B01092030	GASKET DRWE CHAIN	1
15	S0B01092040	WASHER	
16	S0B01092050	CIR-CLIP	
17	S-2000-06008-05	HEX.BOLT6*8	2
18	S-5800-06025-07	FLANGE BOLT M6*25	2

