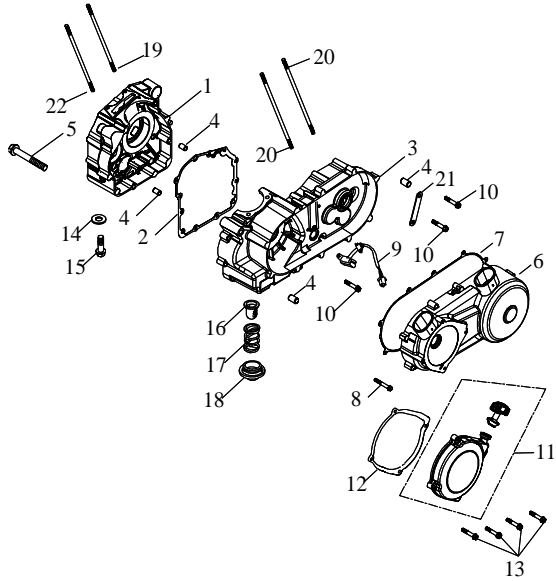


300 cc Engine

Update : 5/31/2008

E-1	CRANKCASE
E-2	CYLINDER HEAD COVER, CYLINDER HEAD (Sport and Utility model for EEC Version)
E-3	PISTON, CRANKSHAFT, CYLINDER
E-4	R.CRANKCASE, WATER PUMP
E-5	CVT
E-6	GENERATOR, STARTER
E-7	TRANSMISSION CASE
E-8	CARBURETOR

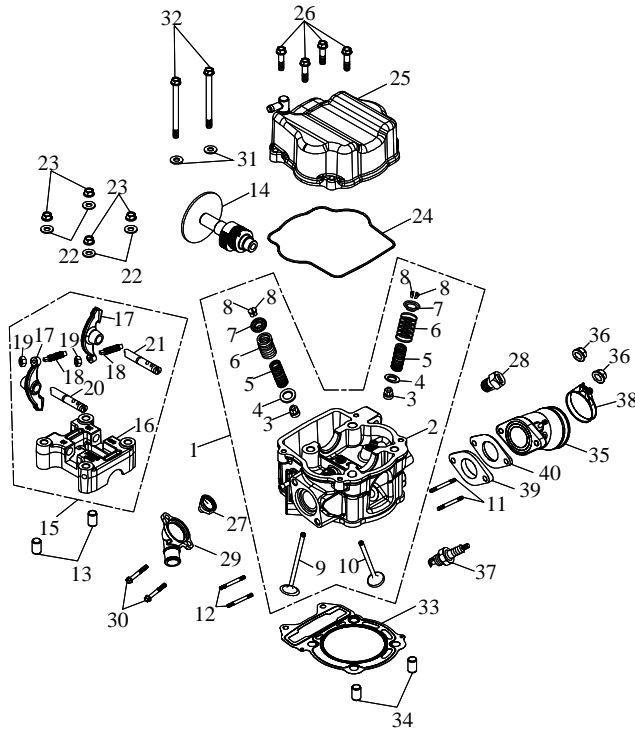
E-1 左右曲軸箱



E-1 CRANKCASE

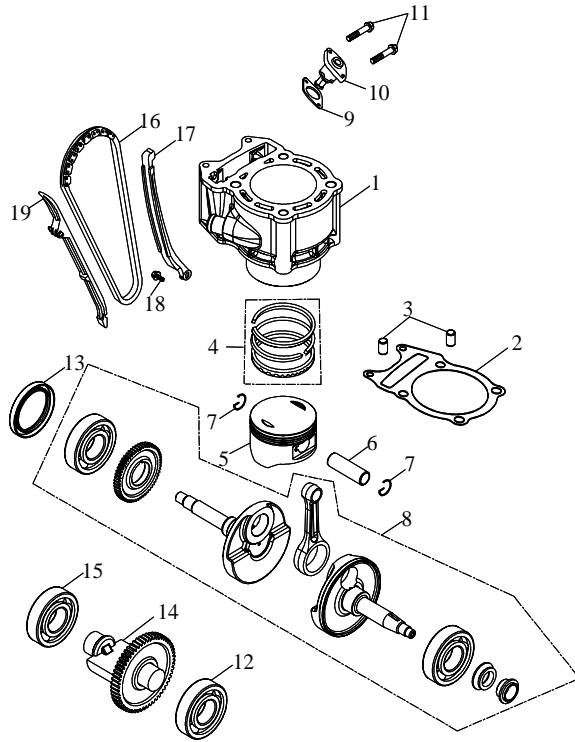
Item	Part No.	Part Name	Spec	Q'ty
1	11100-E10-100	Crankcase, R.		1
2	11349-E10-000	Gasket, Crank Case		1
3	11200-E10-100	Crankcase, L.		1
4	94001-100140	Pin, Dowel	10x14	4
5	P91700-06050-08G	Hex Washer Face Bolt	M6x50 (Dark Green)	4
6	11340-E10-101	Cover, L. Crankcase		1
7	11395-E10-000	Gasket, L. Crankcase		1
8	P91700-06040-08G	Hex Washer Face Bolt	M6x40 (Dark Green)	10
9	61210-E10-101	Switch, Gear Change		1
10	P91700-06010-08C	Hex Washer Face Bolt	M6x10	3
11	11341-E10-000	Pull-Starter		1
12	11397-E10-000	Gasket, L. Crankcase		1
13	P91700-06025-08G	Hex Washer Face Bolt	M6x25	4
14	P93105-12020-20	Washer, Plain (AL)	12.5*20*2.0t	5
15	91833-E10-001	Plug, Oil Pan Drain		1
16	15281-E10-000	Net, Oil Filter		1
17	15282-E10-000	Spring, Oil Filter Net		1
18	15280-E10-000	Nut, Oil Filter Net	M30*P1.5	1
19	* P91000-08220Z-7	Bolt, Stud		1
20	* P91000-08228Z-8	Bolt, Stud	M8x228	2
21	83128-A03-000	Fixing Bracket		1
22	* P91000-08220Z-8	Bolt, Stud	M8x220	1

[BACK](#)



E-2 CYLINDER HEAD COVER, CYLINDER HEAD (EEC Version)

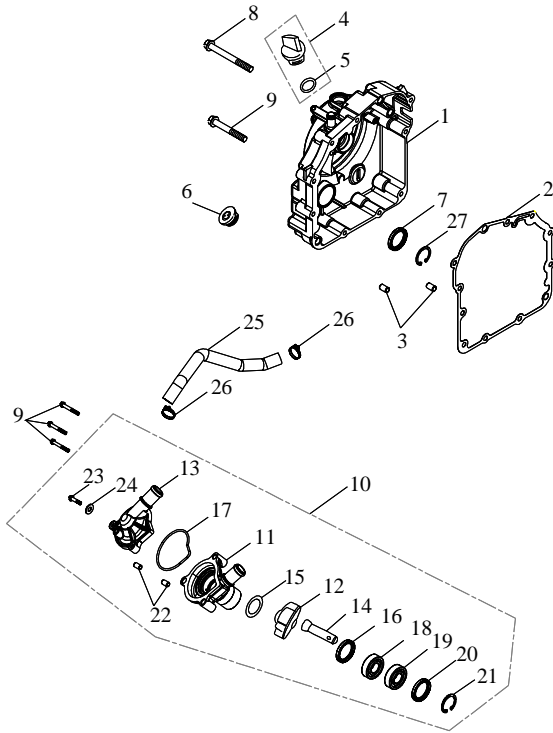
Item	Part No.	Part Name	Spec	Q'ty
1	* 12200-E11-A01	Cylinder Head, Ass'y		1
2	* 12201-E11-001	Cylinder Head		1
3	14730-E10-000	Seal, Valve		2
4	14776-E10-000	Support, Valve Spring		2
5	14736-E10-000	Spring, Valve Inner		2
6	14735-E10-000	Spring, Valve Outer		2
7	14771-E10-000	Holder, Valve Spring		2
8	14781-E10-000	Cotter, Valve		4
9	14720-E10-000	Valve, Intake		1
10	14721-E10-000	Valve, Exhaust		1
11	P91000-06039G	Bolt, Stud	M6x39 (Dark Green)	2
12	P91000-08032G	Bolt, Stud	M8x32 (Dark Green)	2
13	94001-100140	Pin, Dowel	10x14	2
14	* 25100-E11-000	Cam shaft comp	With TPI bearing/one way	1
15	25105-E11-A00	Cam Shaft Holder Ass'y		1
16	25105-E11-000	Cam Shaft Holder		1
17	25305-E10-000	Valve Rocker Arm		2
18	25306-E10-000	Adjust Screw		2
19	25307-E10-000	Adjust Screw		2
20	25310-E10-000	In. Rocker Arm Shaft Comp		1
21	25315-E10-000	Ex. Rocke Arm Shaft Comp		1
22	P93100-08216-02C	Washer, Plate	8.5x16x1.5	4
23	P92120-08-12C	Hex. Acorn Nut, Flange	M8xP1.25	4
24	12310-E10-000	Oil Ring, Head Cover		1
25	12210-E10-100	Head Cover, Cylinder		1
26	P91700-06025-08G	Hex.Washer Face Bolt	M6x25	4
27	15300-E10-000	Thermostat Ass'y		1
28	15240-E10-010	Sensor, Temperature		1
29	15305-E10-000	Hose, Connection		1
30	P91700-06016-08G	Hex.Washer Face Bolt	M6x16 (Dark Green)	2
31	P93102-65012-12	Washer, Plain (Copper)	6.5X12X1.2t	2
32	* P91700-06120-08G	Hex Washer Face Bolt	M6x120 (Dark Green)	2
33	* 12300-E11-000	Gasket, Cylinder Head		1
34	94001-100140	Pin, Dowel	10x14	2
35	16410-E10-020	Manifold, Intake		1
36	P92120-06-10C	Hex. Acorn Washer Face	M6xP1.0	2
37	98069-DPR7EA-9	Plug, Spark		1
38	97414-050090	Clip	ZHC-50	1
39	14712-E10-002	Spacer with Oil Ring		1
40	14711-E10-000	Insulator Gasket		1



E-3 PISTON, CRANKSHAFT, CYLINDER

Item	Part No.	Part Name	Spec	BACK Qty
1	* 12100-E11-100	Cylinder	#74mm	1
2	12191-E10-000	Gasket, Cylinder	CMP-4200 (0.5mm)	1
3	94001-100140	Pin, Dowel	10x14	2
4	* 13310-E11-000	Rings, Piston (std.)	HM3A VKW STD	1
5	* 13300-E11-000	Piston(std.)	74mm	1
6	* 13400-E11-100	Pin, Piston		1
7	13410-E10-000	Clip, Piston Pin	1.2*20mm (80C)	2
8	* 13000-E11-A00	Crankshaft Ass'y		1
9	14553-E10-000	Tensioner Lifter Gasket		1
10	14550-E10-000	Adjuster, Chain		1
11	P91700-06016-08G	Hex.Washer Face Bolt	M6x16 (Dark Green)	2
12	95100-T6205	Bearing, Ball	6205	2
13	96100-274207	Seal, Oil	TC 27x42x7	1
14	* 22370-E11-000	Shaft, Balance		1
15	* 95100-T6205	Bearing, Ball	6205	1
16	* 23318-E11-100	Chain, Cam	2x3(404)-100L	1
17	14500-E10-000	Cam Chan Tensioner	TN-0006-P02	1
18	14505-E10-000	Cam Chan Tensioner Pivot	M8*25(14)	1
19	* 14503-E11-000	Cam Chan Guide Comp	XT103	1

E-4 右曲軸箱蓋.水泵

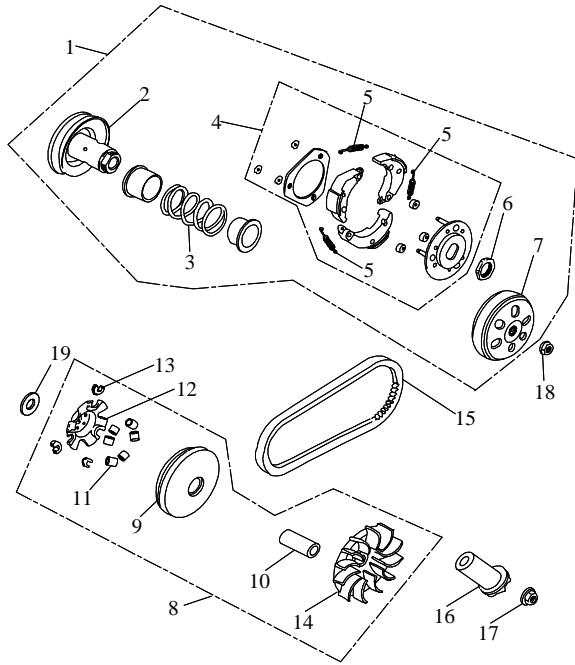


E-4 R.CRANKCASE, WATER PUMP

Item	Part No.	Part Name	Spec	Q'ty
1	11350-E10-100	Cover, R. Crankcase		1
2	11393-E10-000	Gasket, R. Crankcase	CMP-4200 (0.5mm)	1
3	94001-100140	Pin, Dowel	10x14	2
4	15550-E10-000	Oil Level Gauge		1
5	96200-180030	O Ring	18.0x3.0	1
6	96100-GW162510	Oil Window	GW 16 25 10	1
7	96100-122807	Seal, Oil		1
8	P91700-06135-08G	Hex Washer Face Bolt	M6x135 (Dark Green)	7
9	P91700-06045-08G	Hex Washer Face Bolt	M6x45 (Dark Green)	8
10	15200-E10-000	Water Pump Ass'y		1
11	15212-E10-000	Body, Water Pump		1
12	15213-E10-000	Fan, Water Pump		1
13	15215-E10-000	Cap, Water Pump		1
14	15217-E10-000	Water Pump Shaft		1
15	96200-290020	Oil Ring	29x2.0	1
16	15220-E10-000	Mechanical Seal	EH790N-D08-5	1
17	15218-E10-000	Gasket, Water Pump		1
18	95100-T6901	Bearing, Ball		1
19	95100-T6000	Bearing, Ball	6000	1
20	96100-122207	Seal, Oil	12 22 7	1
21	93405-RTW26	Clip, Inner	RTW-26	1
22	94001-08012	Pin, Dowel	8*12	2
23	91700-06010-08B	Hex Washer Face Bolt	M6x10	1
24	P93102-65012-12	Washer, Plain (Copper)	6.5X12X1.2t	1
25	15233-A03-020	Hose C, Liquid (Pump-Cylinder)	(Pump-Cylinder)	1
26	97411-230-12	Clip		2
27	93405-IRTW28	Clip, Inner	IRTW-28	1

[BACK](#)

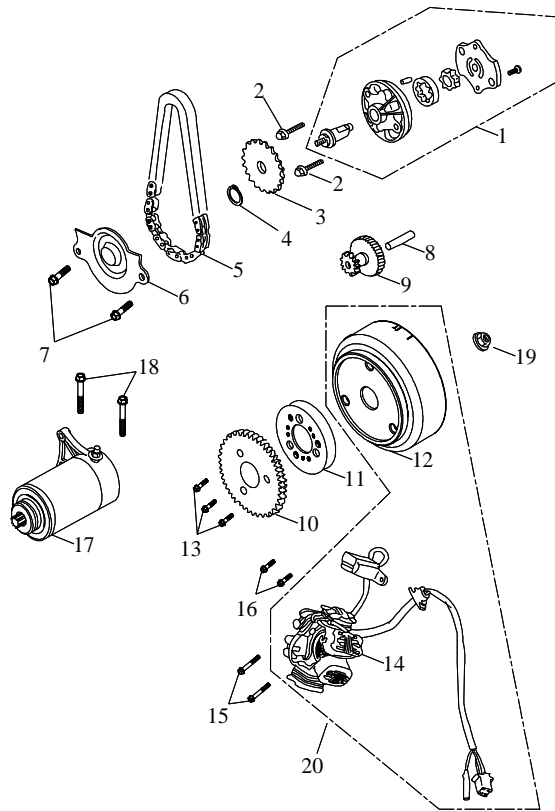
E-5 CVT



E-5 CVT

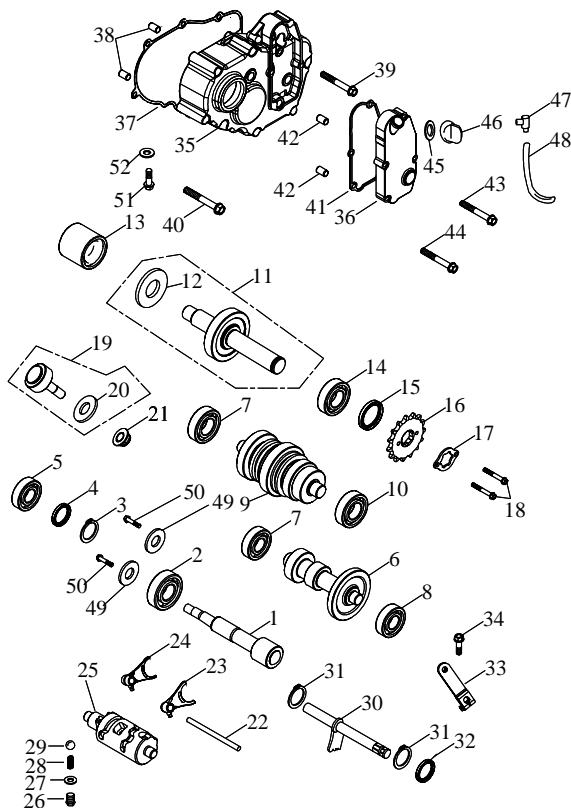
Item	Part No.	Part Name	Spec	Q'ty
1	22300-E10-002	Secondary Sheave Ass'y		1
2	22310-E10-000	Secondary Sheave Support		1
3	22312-E10-000	Spring, Compression		1
4	22330-E10-000	Carrier Ass'y, Clutch		1
5	22331-E10-000	Spring, Clutch	1407rpm (standard)	3
6	22332-E10-000	Nut, Clutch		1
7	22340-E10-001	Housing, Clutch		1
8	22400-E10-000	Sliding Sheave Ass'y		1
9	22410-E10-000	Sliding Sheave		1
10	22414-E10-000	Collar		1
11	22413-E10-000	Weight Roller	23g	6
12	22411-E10-000	Plate, Cam		1
13	22412-E10-000	Slider, Cam Plate		3
14	22420-E10-000	Movable Face Seal		1
15	22500-E10-120	Belt, Drive	846x24.1x30	1
16	22422-E10-000	Clutch, Oneway		1
17	92121-14-19C	Hex. Acorn Nut, Flange	M14xP1.25	1
18	92120-13-19C	Nut, Hex. Flange	M13*P1.0 (S45C)	1
19	P93107-20027-05	Washer, Plate (SK5)	20*27*0.5	1

BACK



E-6 GENERATOR, STARTER

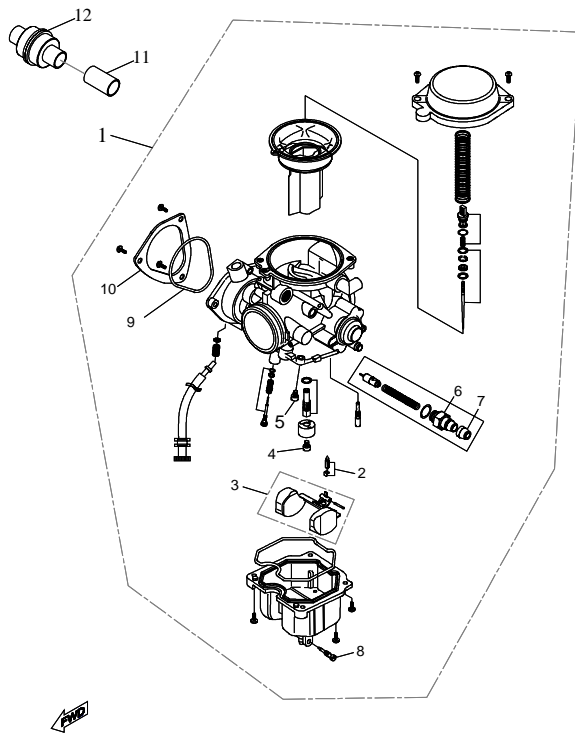
Item	Part No.	Part Name	Spec	Q'ty
1	15100-E10-000	Pump, Oil	LBA7	1
2	P91700-06030-08G	Hex.Washer Face Bolt	M6x30	2
3	15110-E10-100	Drive, Gear, Oil-Pump	25T	1
4	93406-STW10	Cir Clip	STW-10	1
5	23319-E10-100	Chain, Cam	25H*48L	1
6	15150-E10-100	Plate, Oil Chamber		1
7	P91700-06010-08C	Hex.Washer Face Bolt	M6x10	2
8	11344-E10-000	Shaft	10x40	1
9	22120-E10-100	Gear, Start	11T/54T	1
10	22110-E10-100	Wheel, Starter		1
11	22100-E10-101	Wheel, Starter		1
12	31100-E10-000	Wheel, Fly	V50	1
13	91760-08018M-06W	Hex. Socket Bolt	M8*P1.0*18L (SCM440)	3
14	31120-E10-000	Stator (coil)		1
15	P91760-05025-04W	Hex. Socket Bolt	M5*P0.8*25L	3
16	P91760-05016-04W	Hex. Socket Bolt	M5*P0.8*16L	2
17	31200-E10-000	Motor, Starter		1
18	P91700-06020-08G	Hex.Washer Face Bolt	M6x20 (Dark Green)	2
19	92121-14-19C	Hex. Acorn Nut, Flange	M14xP1.25	1
20	31000-E10-000	Base Ass'y, Generator		1



E-7 TRANSMISSION CASE

Item	Part No.	Part Name	Spec	BACK Qty
1	23610-E10-000	Drive Gear, Primary		1
2	95100-T62/22	Bearing, Ball	62/22	1
3	93406-STW22A	Cir Clip	STW-22	1
4	96100-223407	Seal, Oil	TC 22*34*7 NE6011	1
5	95100-T6301LLU	Bearing, Ball	6301LLU	1
6	23620-E10-000	Main Axle		1
7	95100-T6203	Ball Bearing, Crankshaft	6203	2
8	95100-T6204C3	Ball Bearing, Crankshaft	6204C3	1
9	23640-E10-000	Gear Change Crank		1
10	95100-T6304	Bearing, Ball	6304	1
11	23650-E10-000	Final Shaft		1
12	P93107-20027-05	Washer, Plate (SK5)	20*27*0.5	1
13	95200-HK2020	Bearing, Needle	HK 2020	1
14	95100-T6205	Bearing, Ball	6205	1
15	96100-254707	Seal, Oil	TC 25 47 7	1
16	* 23810-E10-020	Sprocket, Drive	520-17T	1
S-4A	23810-E10-000	Sprocket, Drive	520-15T	
U	23810-E10-010	Sprocket, Drive	520-14T	
17	23900-E10-000	Safety Clip		1
18	91700-06012-10G	Hex Washer Face Bolt	M6x12	2
19	23621-E10-000	Shaft		1
20	93107-10218-10	Washer, Plate (SK5)	10.2*18*1.0	1
21	92130-10S-14G	Nut, Insert Lock	M10	1
22	41020-E10-000	Gear Shift Fork Guide Shaft		1
23	41000-E10-000	Shift, Fork		1
24	41000-E10-010	Shift, Fork		1
25	41030-E10-000	Gear Shift Drum		1
26	41051-E01-100	Bolt		1
27	41054-E01-100	Flat Washer Aluminium		1
28	41052-E01-100	Spring, Reverse Gear		1
29	41053-E01-100	Shift Ball		1
30	41040-E10-100	Gear Shift Fork Guide Shaft		1
31	93406-STW14A	Cir Clip	STW-14	2
32	96100-14287	Seal, Oil	14*28*7	1
33	41072-E10-000	Bar, Gear Change		1
34	P91700-06028-10G	Hex.Washer Face Bolt	M6x28	1
35	11500-E10-100	Transmission Gear Case		1
36	11505-E10-100	Cover, Transmission Gear Case		1
37	11410-E10-000	Gasket, Transmission	CMP-4200	1
38	94001-100140	Pin, Dowel	10x14	4
39	P91760-08045-06G	Hex. Socket Bolt	M8*P1.25*45L	1
40	P91760-08073-06G	Hex. Socket Bolt	M8*P1.25*73L	7
41	11430-E10-000	Gasket, Transmission Gear Case		1
42	94001-080140	Pin, Dowel	8*14	2
43	P91700-06020-08G	Hex.Washer Face Bolt	M6x20 (Dark Green)	4
44	P91700-06030-08G	Hex.Washer Face Bolt	M6x30	2
45	96200-138024	O-Ring	13.8*2.4	1
46	11212-E01-000	Plug, Oil		1
47	11210-E01-000	Breather		1
48	11211-A03-000	Hose, Breather	4.5*8*450	1
49	P93107-06519-20	Washer, Plate (SK5)	6.5*19*2.0	2
50	91700-06012-10G	Hex Washer Face Bolt	M6x12	2
51	91833-E10-001	Plug, Oil Pan Drain		1
52	P93105-12020-20	Washer, Plain (AL)	12.5*20*2.0t	1
53	96100-GW162510	Oil Window	GW 16 25 10	1

E-8 化油器



E-8 CARBURETOR

Item	Part No.	Part Name	Spec	Q'ty
1	16100-E10-010	Carburetor Ass'y	Minuki/BSR33-78	1
2	16113-E10-000	Needle Valve		1
3	16112-E10-000	Float		1
4	16101-E10-000	Main, Jet	#127.5	1
5	16102-E10-000	Slow Jet	#37.5	1
6	16118-E10-000	GUIDE HOLDER		1
7	16119-E10-000	CAP		1
8	16120-E10-000	SCREW		1
9	16121-E10-000	O-RING		1
10	16122-E10-000	COVER		1
11	16310-11035	Tube A, Fuel		1
12	16305-E10-000	Air Filter, Box		1

BACK